

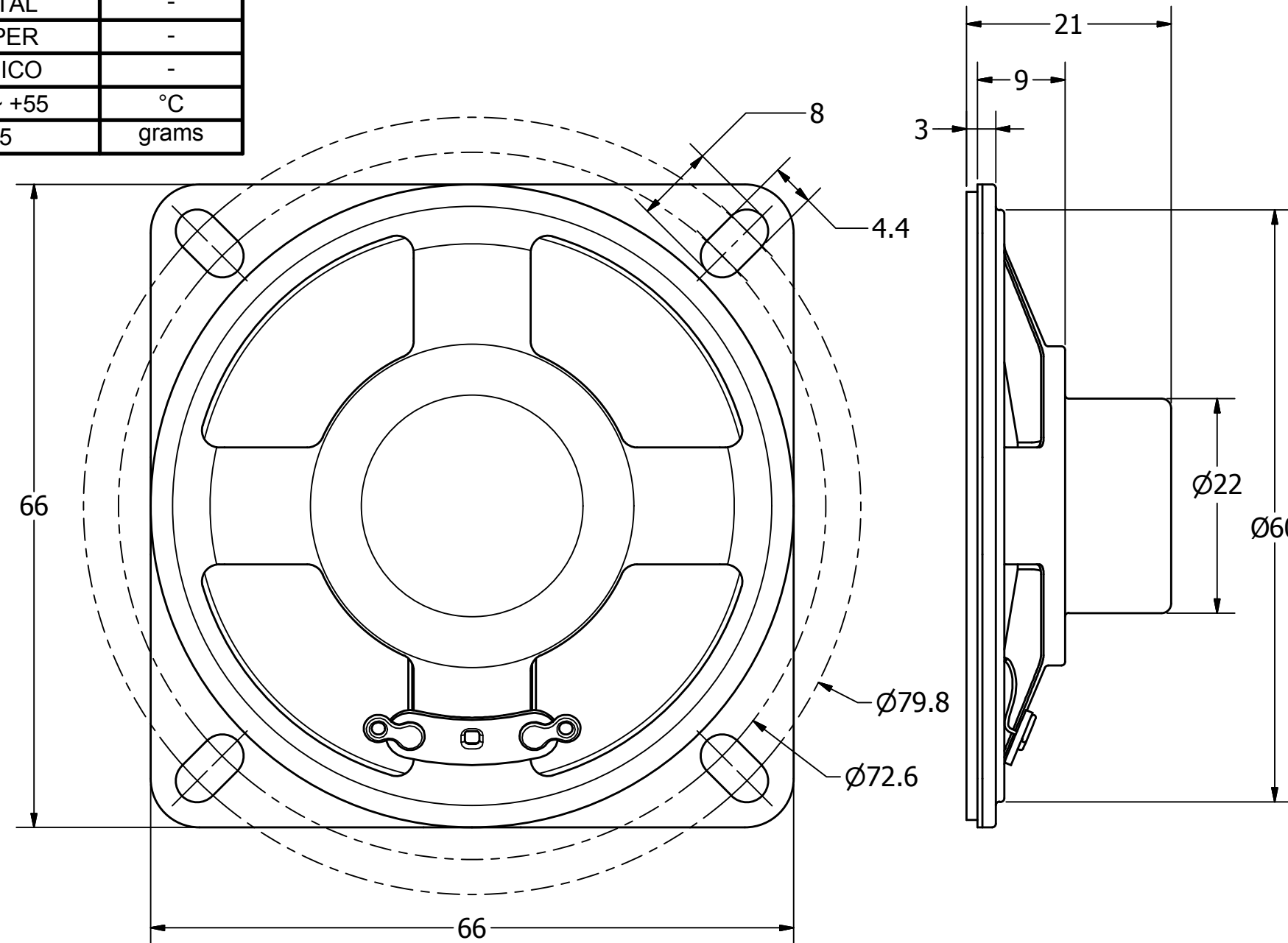
SPECIFICATIONS

PARAMETERS	VALUES	UNITS
RATED INPUT POWER	.5	W
MAX INPUT POWER	1	W
IMPEDANCE	8 ± 15%	OHM
OUTPUT SPL @ 0.5W/0.5M (AT 1.0, 1.2, 1.5, 2.0 kHz)	94 ± 3	dBA
DISTORTION (MAX.)	5%	-
RESONANT FREQUENCY	300 ± 60%	Hz
FREQUENCY RANGE	300 ~ 3,100	Hz
HOUSING MATERIAL	METAL	-
CONE MATERIAL	PAPER	-
MAGNET MATERIAL	ALNICO	-
OPERATING TEMPERATURE	-20 ~ +55	°C
WEIGHT	45	grams

THIS DOCUMENT CONTAINS DATA PROPRIETARY TO PROJECTS UNLIMITED, INC. ANY USE OR REPRODUCTION, IN ANY FORM, WITHOUT PRIOR WRITTEN PERMISSION OF PROJECTS UNLIMITED, INC. IS PROHIBITED.
©2003, Projects Unlimited Inc.

REVISION HISTORY

LTR	DESCRIPTION	DATE	APPROVED
-	RELEASED FROM ENGINEERING	3/31/2005	
A	REMOVED LEAD FREE ADDED RoHS NOTE	8/10/2005	
B	REVISED TO INVENTOR 3-D DRAWING TEMPLATE	6/23/2008	B.R.



NOTES:

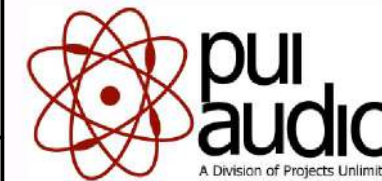
1. ALL DIMENSIONS ARE IN MILLIMETERS.
2. SPECIFICATIONS SUBJECT TO CHANGE OR WITHDRAWL WITHOUT NOTICE.
3. THIS PART IS RoHS 2002/95/EC COMPLIANT.

UNLESS OTHERWISE SPECIFIED:
DIMENSIONS ARE IN MILLIMETERS,
TOLERANCES ARE ±0.5 AND ANGLES ARE ±3°.

SIZE
A3

AS06608PS-2-R.idw

Designed by	Date	Checked by	Date	Approved by	Date	Drawn Date
G.V.	3/30/2005	R.W.	3/31/2005	E.P.	3/31/2005	6/23/2008



AS06608PS-2-R

Speaker

Edition	Sheet
-	1 / 1