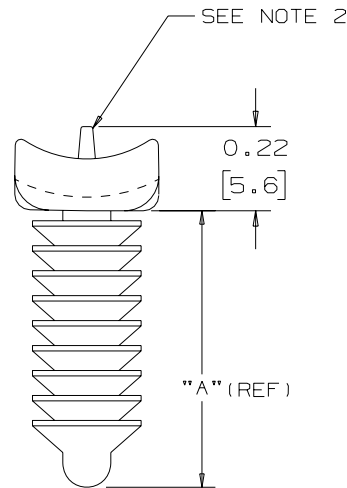
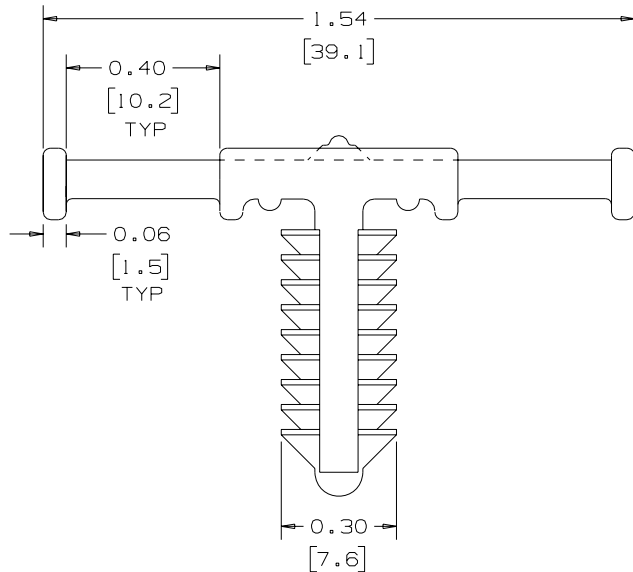
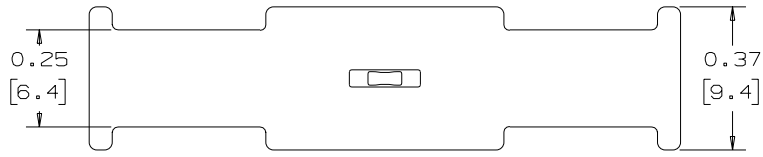


THIS COPY IS PROVIDED ON A RESTRICTED BASIS AND IS NOT TO BE USED IN ANY WAY DETRIMENTAL TO THE INTERESTS OF PANDUIT CORP.

| PANDUIT PART NO. SEE NOTE 1 | CHARACTERISTICS | | RECOMMENDED HOLE DIA. IN. (mm) | RECOMMENDED PANEL SIZE IN. (mm) | WEIGHT LBS./ 100 PCS. (g) |
|--------------------------------|-----------------|----------------|--------------------------------------|---------------------------------------|---------------------------------|
| | NO. of BARBS | A REF | | | |
| THMSC35- --- | 5 | 0.46 [11.7] | 0.244-0.268 [6.2-6.8] | 0.024-0.250 [0.61-6.4] | 0.230 (104) |
| THMSC35F- --- | 5 | 0.46 [11.7] | | 0.024-0.250 [.61-6.4] | 0.220 (103) |
| THMSC60F- --- | 9 | 0.72 [18.3] | | 0.024-0.500 [.61-12.7] | 0.250 (117) |



NOTES:

1. SEE PART NUMBER SUFFIX DESIGNATIONS ON CURRENT PRICE SHEET FOR PACKAGE SIZE, PART COLOR AND PART MATERIAL.
2. SUFFIX 'F' AFTER PART SIZE INDICATES ABSENCE OF TAB WHERE SHOWN. (I.E. THMSC60F).
3. MATERIAL TABLE
 -39 NYLON 6.6 HEAT STABILIZED NATURAL
 -30 NYLON 6.6 HEAT STABILIZED BLACK

DIMENSIONS IN BRACKETS ARE METRIC [mm]

CAD FILENAME/LAYERS G00303BA_PB_THMSC_07

| | | | | | | | | | |
|-----|----------|------|-----|--|----------|---|------|-----|------|
| 7 | 3-7-08 | TMSA | | REMOVED -630 AND -639 FROM THE MATERIAL TABLE NOTE | GB0303BA | 7 | | | |
| 6 | 12-21-06 | TMSA | | REVISED NOTE 3 MATERIAL TABLE | GB0303BA | 6 | | | |
| 5 | 1/21/02 | LGG | | DELETED THMSC60, THMSC85, & THMSC85F | GB0303BA | 5 | | | |
| 4 | 6/28/01 | LGG | | UPDATED FOR WEB | GB0303BA | 4 | | | |
| 3 | 5/5/98 | MLD | | ADDED NOTE #3, CHANGED CAD FILE NAME FROM GB0303BA_PB_THMSC_02 | GB0303BA | 3 | | | |
| 2 | 11/8/93 | JRL | | CHG,D. PART NOS. TO REFLECT SUFFIX "F", | GB0303BA | 2 | | | |
| | | | | ADDED WT. COLUMN & DIM. .22 | | | | | |
| 1 | 2/12/93 | JRL | | ADDED RECOMM. HOLE & PANEL SIZE | GB0303BA | 1 | | | |
| REV | DATE | BY | CHK | DESCRIPTION | ECN | R | CUST | SUP | O.C. |



THMSC, THMSCF
TIE HARNESS MOUNT

UNLESS OTHERWISE SPECIFIED,
DIMENSIONAL TOLERANCES ARE:
(.X) ±0.05 [1.3] (.XXX) ±0.010 [0.25]
(.XX) ±0.02 [0.5] ANGLES ± 5°

UNLESS OTHERWISE SPECIFIED,
ALL DIMENSIONS ARE GIVEN
IN INCHES, THIRD ANGLE PROJECTION.

DRAWN BY TNT

MAT'L:

SCALE 2/1

DATE 11/24/92

SEE NOTE 3

DRAWING NO. GB0303BA

DWG SIZE A

CHK'D