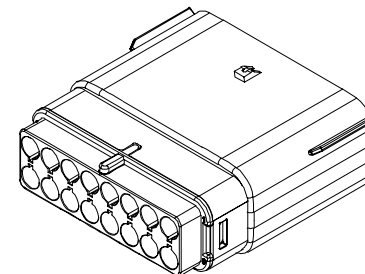
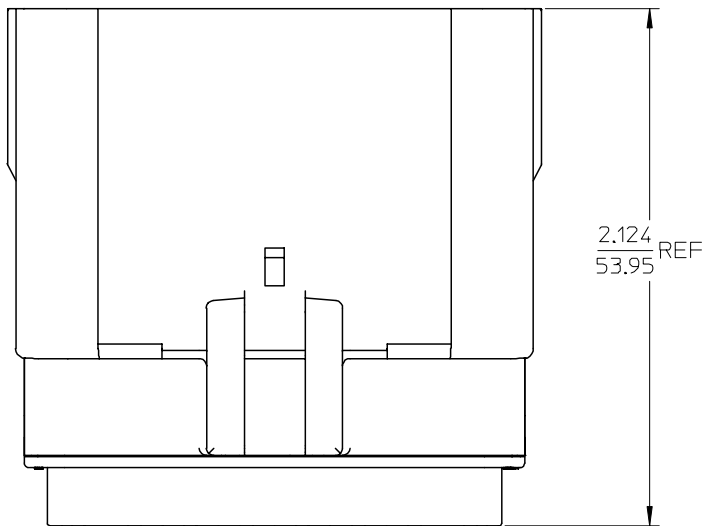
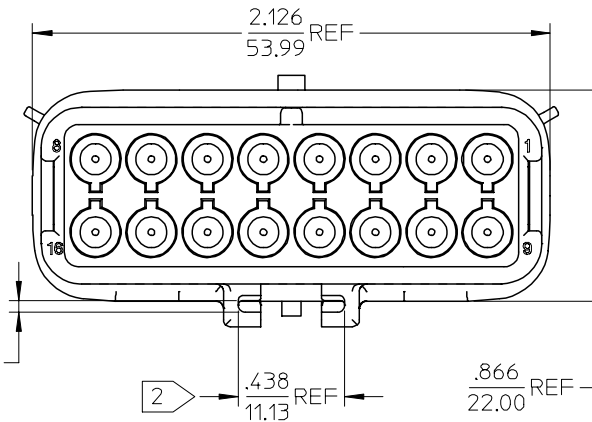
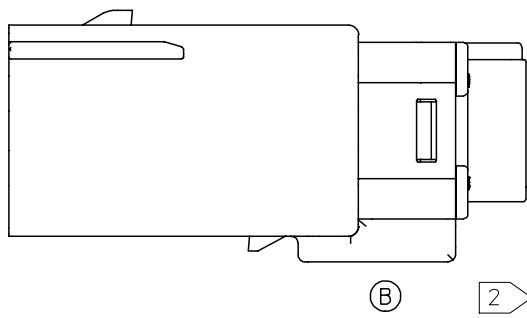
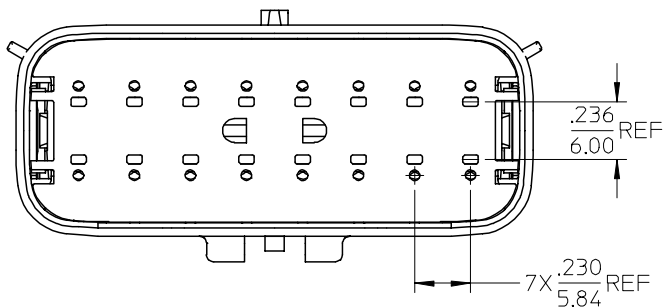


10 9 8 7 6 5 4 3 2 19419



ASSEMBLED VIEW  
SCALE 1:1

194190021	16	16-14
194190020	16	22-18
MATERIAL NUMBER	CIRCUIT SIZE	UL WIRE AWG

- NOTES:
1. ASSEMBLY PACKAGED PER PK-19419-001.
  2. MOUNTING SLOT DIMENSIONS.
  3. USE CONNECTOR WITH MALE CRIMP TERMINAL: SERIES 19417.

EC NO: ETC2004-0202 DRWN:DMYRICK 2004/06/03 CHKD:JPALWICK 2004/06/03 APPR:JPALWICK 2004/06/03	QUALITY SYMBOLS	GENERAL TOLERANCES (UNLESS SPECIFIED)		SCALE 2:1	DESIGN UNITS INCH	THIRD ANGLE PROJECTION	REVISE ON CAD ONLY
	DESCRIPTION	mm	INCH	DIMENSION STYLE IN/MM	TITLE	16 WAY PLUG ASSEMBLY	
	▽ = 0	4 PLACES ± --- ± ---	3 PLACES ± --- ± .015	DRAWN BY D.MYRICK	DATE 03/12/29	MATERIAL NO. SEE CHART	
	▽C = 0	2 PLACES ± 0.38 ± ---	1 PLACE ± --- ± ---	CHECKED BY JPALWICK	DATE 03/12/29	DOCUMENT NO. SD-19419-007	SHEET NO. 1 OF 1
		ANGULAR ± 1 °		APPROVED BY R.DEROSS	DATE 03/12/29	THIS DRAWING CONTAINS INFORMATION THAT IS PROPRIETARY TO MOLEX INCORPORATED AND SHOULD NOT BE USED WITHOUT WRITTEN PERMISSION	
		DRAFT WHERE APPLICABLE		MUST REMAIN WITHIN DIMENSIONS			

8 7 6 5 4 3 2 1