

VS-08-RJ45-5-Q/IP20 BK - RJ45 connector



1658008

<https://www.phoenixcontact.com/us/products/1658008>

Please be informed that the data shown in this PDF document is generated from our online catalog. Please find the complete data in the user documentation. Our general terms of use for downloads are valid.



RJ45 connector, design: RJ45, degree of protection: IP20, number of positions: 8, 1 Gbps, CAT5, material: Plastic, connection method: Insulation displacement connection, connection cross section: AWG 26- 23, cable outlet: straight, color: black, Ethernet

Your advantages

- Easy and time-saving assembly with IDC fast connection technology
- Can be used internationally due to EAC, UL 1863, and CAN/CSA C22.2
- Ideal companion for servicing or repairs in the field: no special tools required for mounting

Commercial data

Item number	1658008
Packing unit	1 pc
Minimum order quantity	1 pc
Sales key	AB10
Product key	ABNAAD
Catalog page	Page 372 (C-2-2019)
GTIN	4046356138536
Weight per piece (including packing)	10.38 g
Weight per piece (excluding packing)	10.3 g
Customs tariff number	85366990
Country of origin	CH

VS-08-RJ45-5-Q/IP20 BK - RJ45 connector



1658008

<https://www.phoenixcontact.com/us/products/1658008>

Technical data

Product properties

Type	RJ45
Product type	Data connector (cable side)
Sensor type	Ethernet
Number of positions	8
Connection profile	RJ45
No. of cable outlets	1
Type	RJ45
Shielded	no
Cable outlet	straight
Positions/contacts	8P8C

Insulation characteristics

Overvoltage category	I
Degree of pollution	2

Electrical properties

Rated voltage (III/3)	72 V (DC)
Rated surge voltage	330 kV
Rated current	1.75 A
Contact resistance	< 20 mΩ (Contact) < 100 mΩ (shield)
Frequency range	100 MHz
Insulation resistance	> 500 MΩ
Nominal voltage U_N	48 V
Nominal current I_N	1.75 A
Contact resistance per contact pair	< 20 Ω
Contact resistance	> 10 mΩ (Wire – IDC) 0.005 Ω (Litz wires – IDC)
Transmission medium	Copper
Transmission characteristics (category)	CAT5
Transmission speed	1 Gbps
Power transmission	PoE++

Connection data

Connection technology

Connection method	Insulation displacement connection
Connection cross section AWG	26 ... 23 (solid) 26 ... 23 (flexible)
Conductor cross section	0.14 mm ² ... 0.25 mm ² (solid) 0.14 mm ² ... 0.25 mm ² (flexible)

VS-08-RJ45-5-Q/IP20 BK - RJ45 connector



1658008

<https://www.phoenixcontact.com/us/products/1658008>

Connection in acc. with standard	In accordance with IEC 60603-7-1
Cable outlet, angle	180

Dimensions

Width	14 mm
Height	14.6 mm
Length	55.85 mm

Material specifications

Color	black
Material	Plastic
Flammability rating according to UL 94	V0
Cable seal material	NBR
Contact material	CuSn
Contact surface material	Au/Ni
Contact carrier material	PC
O-ring material	FPM
Locking latch material	PC
Material for screw connection	PA
Housing material	Plastic

Cable/line

External cable diameter ()	4.5 mm ... 8 mm
External cable diameter	4.5 mm ... 8 mm
Test voltage Core/Core	1000 V
Test voltage Core/Shield	1500 V
Halogen-free	no

Mechanical properties

Mechanical data

Insertion/withdrawal cycles	≥ 1000
Insertion force per signal contact	< 20.00 N
Extraction force per signal contact	< 20 N

Environmental and real-life conditions

Test specification

Type of test	Vibration test
Specification	IEC 60068-2-6
Frequency	10-500 Hz
Sweep speed	1 octave/min
Amplitude	0.35 mm
Acceleration	50 m/s ²
Test duration	20 s

VS-08-RJ45-5-Q/IP20 BK - RJ45 connector



1658008

<https://www.phoenixcontact.com/us/products/1658008>

Ambient conditions

Degree of protection	IP20
	IP20
Ambient temperature (operation)	-20 °C ... 70 °C
Ambient temperature (storage/transport)	-40 °C ... 70 °C

Mounting

Mounting type	For field assembly
Connection method	Insulation displacement connection

VS-08-RJ45-5-Q/IP20 BK - RJ45 connector

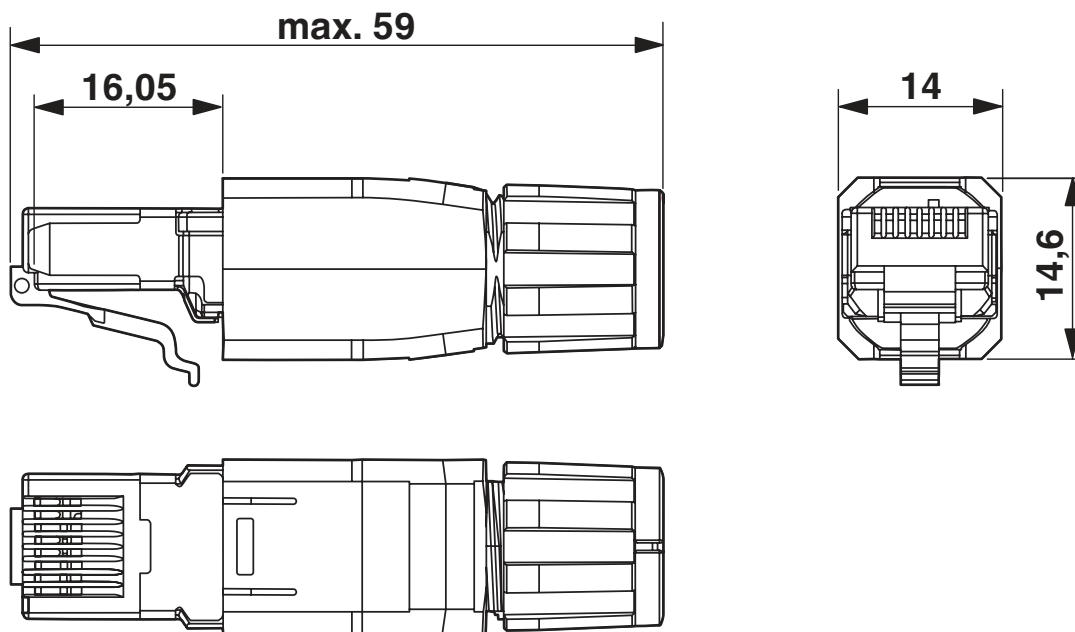
1658008

<https://www.phoenixcontact.com/us/products/1658008>



Drawings

Dimensional drawing



RJ45 connector, IP20

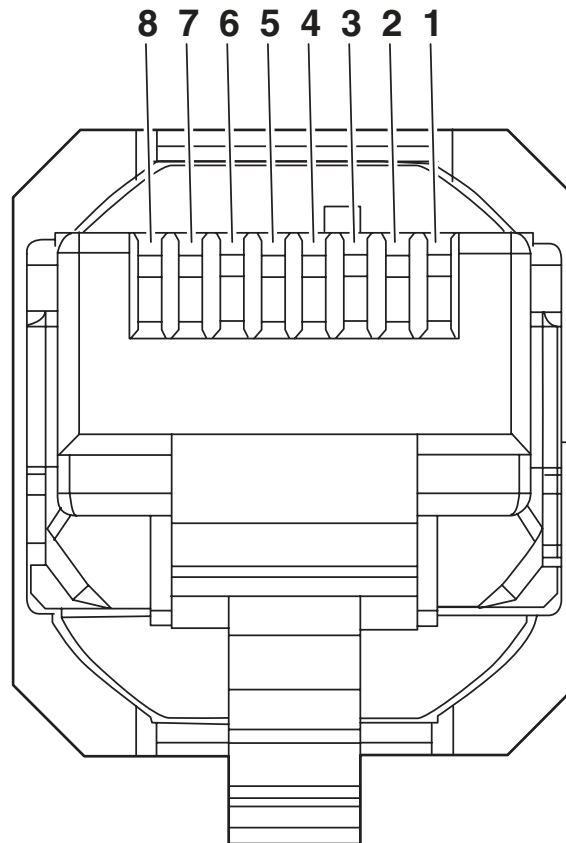
VS-08-RJ45-5-Q/IP20 BK - RJ45 connector

1658008

<https://www.phoenixcontact.com/us/products/1658008>



Schematic diagram



VS-08-RJ45-5-Q/IP20 BK - RJ45 connector



1658008

<https://www.phoenixcontact.com/us/products/1658008>

Approvals

To download certificates, visit the product detail page: <https://www.phoenixcontact.com/us/products/1658008>



EAC

Approval ID: B.01687



UL Listed

Approval ID: FILE E 335024



cUL Listed

Approval ID: FILE E 335024

cULus Listed

VS-08-RJ45-5-Q/IP20 BK - RJ45 connector



1658008

<https://www.phoenixcontact.com/us/products/1658008>

Classifications

ECLASS

ECLASS-11.0	27440101
ECLASS-12.0	27440113
ECLASS-13.0	27440113

ETIM

ETIM 8.0	EC002636
----------	----------

UNSPSC

UNSPSC 21.0	39121400
-------------	----------

VS-08-RJ45-5-Q/IP20 BK - RJ45 connector



1658008

<https://www.phoenixcontact.com/us/products/1658008>

Environmental product compliance

China RoHS	Environmentally friendly use period: unlimited = EFUP-e
	No hazardous substances above threshold values

VS-08-RJ45-5-Q/IP20 BK - RJ45 connector

1658008

<https://www.phoenixcontact.com/us/products/1658008>



Accessories

VS-CABLE-STRIP-VARIO - Stripping tool

1657407

<https://www.phoenixcontact.com/us/products/1657407>

Stripping tool, for the multi-level stripping of shielded cables



CUC-PP-D1PGY/R4IDC8 - DIN rail adapter

1419024

<https://www.phoenixcontact.com/us/products/1419024>

DIN rail adapter, design: RJ45, degree of protection: IP20, number of positions: 8, 10 Gbps, CAT6_A, material: PC-GF, connection method: IDC connection, connection cross section: AWG 26- 22, color: gray



VS-08-RJ45-5-Q/IP20 BK - RJ45 connector

1658008

<https://www.phoenixcontact.com/us/products/1658008>



VS-PP-F-RJ45-CAT6 - DIN rail adapter

1658118

<https://www.phoenixcontact.com/us/products/1658118>



DIN rail adapter, degree of protection: IP20, number of positions: 8, 1 Gbps, CAT6, material: PC-GF, connection method: IDC fast connection, connection cross section: AWG 24- 22, color: gray

CUC-F-J1ZNI-S/R4IDC8 - RJ45 jack insert

1418984

<https://www.phoenixcontact.com/us/products/1418984>



RJ45 jack insert, design: RJ45, degree of protection: IP20, number of positions: 8, 10 Gbps, CAT6_A, material: Metal, connection method: IDC connection, connection cross section: AWG 26- 22, cable outlet: straight, Freenet design for use with IP67 panel mounting frame and terminal outlets, Ethernet

VS-08-RJ45-5-Q/IP20 BK - RJ45 connector

1658008

<https://www.phoenixcontact.com/us/products/1658008>



CUC-PP-D1PGY/R4GC8 - DIN rail adapter

1418094

<https://www.phoenixcontact.com/us/products/1418094>



DIN rail adapter, design: RJ45, degree of protection: IP20, number of positions: 8, 1 Gbps, CAT6, material: PC-GF, connection method: Coupling, color: gray

CUC-K-J1ZNI-S/R4IDC8 - RJ45 jack insert

1419021

<https://www.phoenixcontact.com/us/products/1419021>



RJ45 jack insert, design: RJ45, degree of protection: IP20, number of positions: 8, 10 Gbps, CAT6_A, material: Metal, connection method: IDC connection, connection cross section: AWG 26- 22, cable outlet: straight, Keystone design for use with IP20 panel mounting frame or integrated directly into the housing panel, Ethernet

VS-08-RJ45-5-Q/IP20 BK - RJ45 connector

1658008

<https://www.phoenixcontact.com/us/products/1658008>



VS-OE-OE-94B-100,0 - Data cable

1416567

<https://www.phoenixcontact.com/us/products/1416567>



Data cable, Ethernet CAT5 (1 Gbps), 8-position halogen-free, shielded, free cable end, on free cable end, cable length: 100 m

VS-OE-OE-94B/... - Data cable

1417333

<https://www.phoenixcontact.com/us/products/1417333>



Data cable, Ethernet CAT5 (1 Gbps), 8-position halogen-free, shielded, free cable end, on free cable end, cable length: Free entry (0.5 ... 400 m)

Phoenix Contact 2023 © - all rights reserved
<https://www.phoenixcontact.com>

Phoenix Contact USA
586 Fulling Mill Road
Middletown, PA 17057, United States
(+717) 944-1300
info@phoenixcon.com