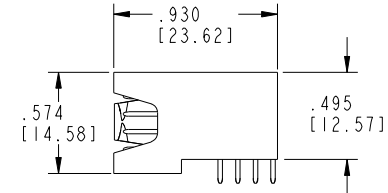
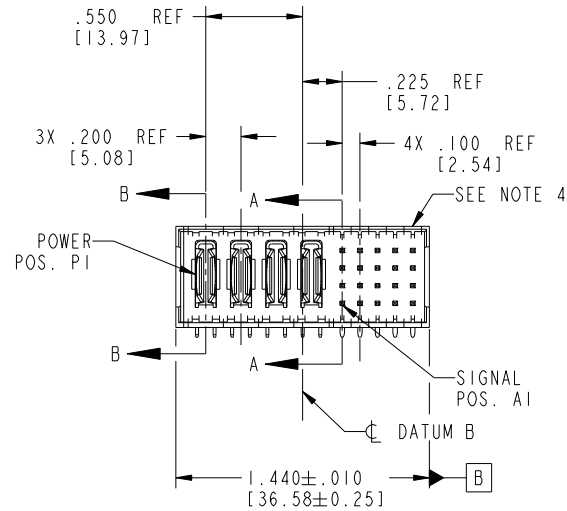


Tous droits strictement réservés. Reproduction ou communication à des tiers interdite sous quelque forme que ce soit sans autorisation écrite du propriétaire. Propriété de c.FCI. Droits de reproduction FCI.



All rights strictly reserved. Reproduction or issue to third parties in any form whatever is not permitted without written authority from the proprietor. Property of FCI. Copyright FCI.

PRODUCT NO.	ROWS	POWER				SIGNAL				
		P1	P2	P3	P4	1	2	3	4	5
51939-096	D C B A	PA	PA	PA	PA	UUUUU	TTTTT	TTTTT	TTTTT	TTTTT
Note: ③						SSSSS	SSSSS	SSSSS	SSSSS	SSSSS



CODE	DIM "M"	MATING LENGTH	CONTACT TYPE
R	.270	[6.86]	SIGNAL
S	.270	[6.86]	SIGNAL
T	.270	[6.86]	SIGNAL
U	.270	[6.86]	SIGNAL
PA	N/A	[N/A]	POWER

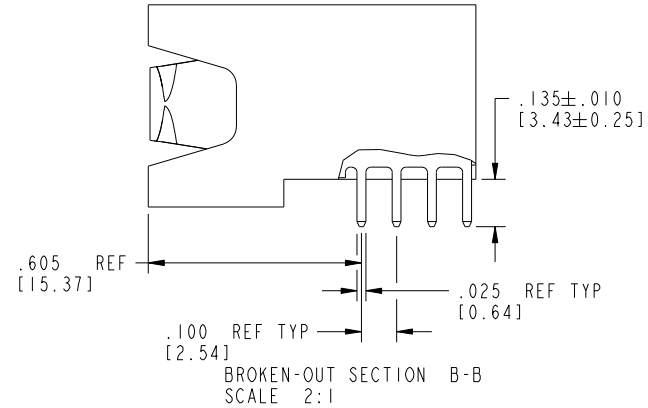
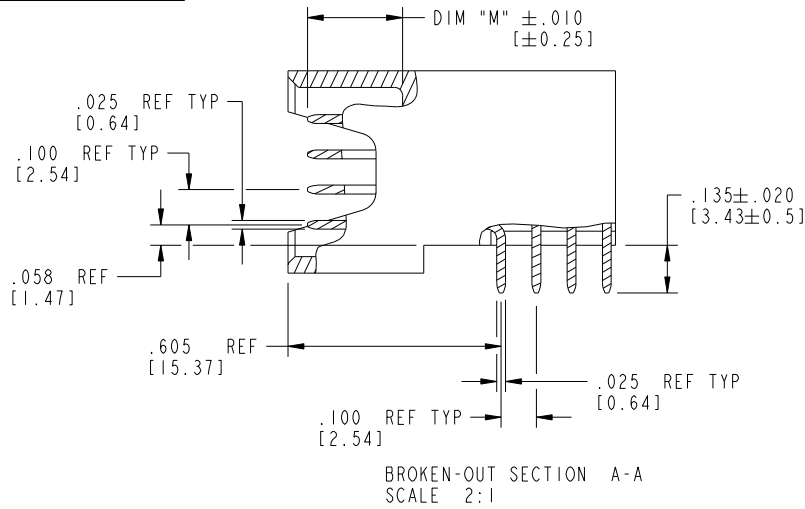
mat'l code				SEE NOTE 2		tolerances unless otherwise specified		CUSTOMER		FCI	
ltr	ecn no.	dr	date	linear	.XX±.01/0.X±0.3	projection	COPY	www.fciconnect.com			
A	V03-1260	TAB	11/25/03		.XXX±.005/0.XX±0.13	INCH/MM	title	4P + 20S			
B	DG05-0181	SJ	06/21/05	angles	.XXX±.002/0.XXX±0.051	scale	RIGHT ANGLE SOLDER HEADER				
C	DG06-0014	JMG	01/16/06		0°±2°	1:1	product family	PwrBlade	code	213	
D	DG09-0003	WD	01/17/09	dr	T. BRUNGARD 11/25/03		size	dwg no	sheet	1 of 4	
				enr	M. GRAY 11/25/03		51939-096				
				chr	M. GRAY 11/25/03						
				appd	M. GRAY 11/25/03						
sheet index	revision sheet	D	D	D	D						
		1	2	3	4						

cage code 22526

Tous droits strictement reserves. Reproduction ou communication a des tiers interdite sous quelque forme que ce soit sans autorisation écrite du propriétaire. Propriete de c FCI. Droits de reproduction FCI.

All rights strictly reserved. Reproduction or issue to third parties in any form whatsoever is not permitted without written authority from the proprietor. Property of FCI. Copyright FCI.

PRODUCT NUMBER
51939-096__
Note: ③



mat'l code		SEE NOTE 2		tolerances unless otherwise specified		CUSTOMER		FCJ		www.fciconnect.com	
lfr	ecr no.	dr	date	linear	.XX±.01/0.X±0.3	COPY		projection		title	
D					.XXX±.005/0.XX±0.13	⊕		4P + 20S		RIGHT ANGLE SOLDER HEADER	
				angles	.XXX±.0020/0.XXX±0.051	INCH/MM		product family		code	
				dr	0°±2°	1:1		PwrBlade		213	
				enr	T. BRUNGARD 11/25/03	A		size		sheet	
				chr	M. GRAY 11/25/03	A		dwg no		2 of 4	
				appd	M. GRAY 11/25/03	A		51939-096			
sheet index	revision sheet										

cage code 22526

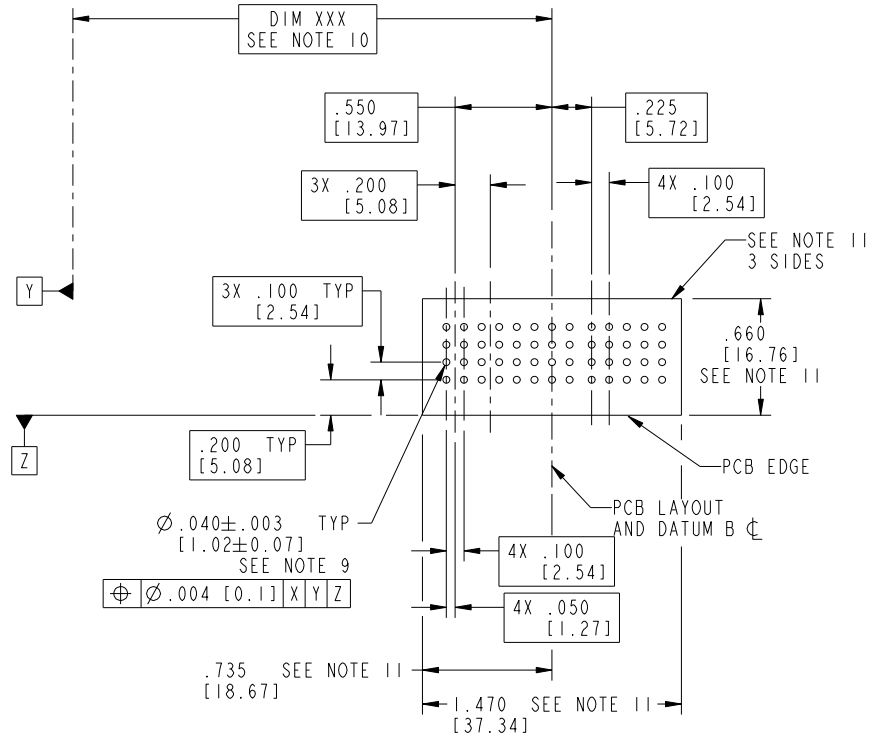
Pro/E

Tous droits strictement reserves. Reproduction ou communication a des tiers interdite sous quelque forme que ce soit sans autorisation ecrite du proprietaire. Propriete de c FCI. Droits de reproduction FCI.



All rights strictly reserved. Reproduction or issue to third parties in any form whatsoever is not permitted without written authority from the proprietor. Property of FCI. Copyright FCI.

PRODUCT NUMBER
51939-096__
Note: ③



RECOMMENDED PCB LAYOUT

mat'l code		SEE NOTE 2		tolerances unless otherwise specified		CUSTOMER		www.fciconnect.com	
lfr	ecn no.	dr	date	linear	.XX±.01/0.X±0.3	COPY		title	
D					.XXX±.005/0.XX±0.13	projection		4P + 20S	
				angles	.XXX±.002/0.XXX±0.051			RIGHT ANGLE SOLDER HEADER	
				dr	0°±2°	INCH/MM		product family	
				enr	T. BRUNGARD 11/25/03	scale		PwrBlade	
				chr	M. GRAY 11/25/03	1:1		code	
				appd	M. GRAY 11/25/03	A		213	
sheet index		revision sheet				size		dwg no	
						A		51939-096	
						3 of 4			

cage code 22526

Tous droits strictement réservés. Reproduction ou communication à des tiers interdite sous quelque forme que ce soit sans autorisation écrite du propriétaire. Propriété de c.FCI. Droits de reproduction FCI.



All rights strictly reserved. Reproduction or issue to third parties in any form whatsoever is not permitted without written authority from the proprietor. Property of FCI. Copyright FCI.

PRODUCT NUMBER
51939-096__
Note: ③

NOTES:

1. DIMENSIONS AND TOLERANCES ARE IN ACCORDANCE WITH ASME Y14.5M, 1994 UNLESS OTHERWISE SPECIFIED.

CONNECTOR NOTES:

2. HOUSING MATERIAL: UL 94 V-0 GLASS FILLED HIGH-TEMP THERMOPLASTIC
 POWER CONTACT MATERIAL: COPPER ALLOY
 SIGNAL PIN MATERIAL: COPPER ALLOY

③ 3. SEE ITEM 1 & 2 IN PRINT 10064183 FOR PLATING SPEC OF 51939-096 AND 51939-096LF RESPECTIVELY.

4. MANUFACTURER'S NAME, P/N, AND DATE CODE TO APPEAR ON THIS SURFACE.

5. PRODUCT SPECIFICATION GS-12-149.
 APPLICATION SPECIFICATION BUS-20-067.

6. PACKAGED IN TRAYS.

PCB NOTES:

7. ALL HOLE DIAMETERS ARE FINISHED HOLE SIZE.

8. MOUNTING HOLES, WHERE APPLICABLE, ARE UNPLATED.

9. $\varnothing .0453 \pm .0010$ [1.151 \pm 0.025] DRILLED HOLES PLATED WITH
 .0003 [0.008] MIN SnPb OVER .001 [0.03]
 TO .003 [0.08] Cu PLATING TO ACHIEVE
 $\varnothing .040 \pm .003$ [1.02 \pm .07] HOLE.

10. "DIM XXX" TO BE DETERMINED BY THE CUSTOMER.

11. CONNECTOR KEEP-OUT ZONE.

12. A ③ SYMBOL WILL BE NEXT TO ANY DIMENSION, VIEW, OR NOTE WHICH HAS BEEN MODIFIED WITH THE CURRENT DRAWING REVISION.

mat'l code		SEE NOTE 2		tolerances unless otherwise specified		CUSTOMER		FCI		www.fciconnect.com	
ltr	ecn no.	dr	date	linear	.XX±.01/0.X±0.3	COPY		title			
D					.XXX±.005/0.XX±0.13	projection		4P + 20S			
				angles	.XXX±.002/0.XXX±0.051			RIGHT ANGLE SOLDER HEADER			
				dr	0° ± 2°	INCH/MM		product family		code	
				enr	T. BRUNGARD 11/25/03	scale		PwrBlade		213	
				chr	M. GRAY 11/25/03	1:1		size		sheet	
				appd	M. GRAY 11/25/03	A		dwg no		4 of 4	
sheet index	revision sheet							51939-096			

cage code 22526