

| REVISIONS | | | |
|-----------|------|--------------|------------|
| SYM | ZONE | ECN, ERN NO. | DATE |
| E | | UPDATED | 2006/02/07 |
| F | | UPDATED | JAN29/08 |
| G | | UPDATED | AUG03/08 |

THIS IS A CAD DRAWING. DO NOT MANUALLY REVISE.

PART NUMBER
(P/N DOES NOT
INCLUDING PACKAGING TYPE
AND DUST COVER OPTION)

DATE CODE

MATERIAL (RoHS COMPLIANCE):

CAGE:
COPPER ALLOY

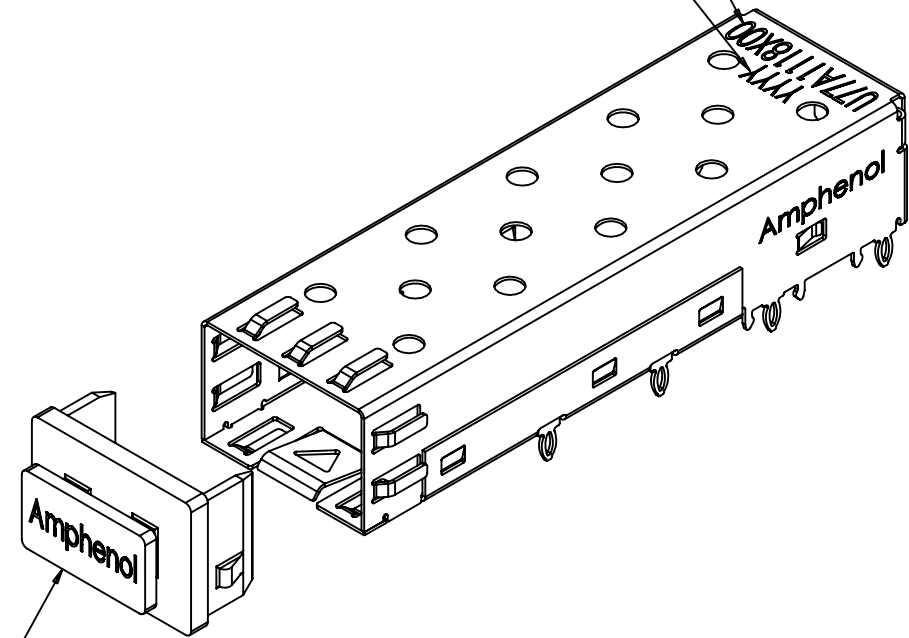
PLATING OPTION 1:
100µ" [2.54 µm] MIN. TIN
PLATING OVER 50 µ" (1.27 µm)
MIN. NICKEL UNDER PLATING.

PLATING OPTION 2:
100µ" [2.54 µm] MIN. NICKEL
PLATING (NOT FOR SOLDER PINS).

DUST COVER
THERMOPLASTIC, COLOR BLACK.

PACKAGING:
TAPE AND REEL OR TRAY PACKAGING.

TEMPERATURE RANGE:
-40°C TO +85°C



OPTIONAL DUST COVER
(SHIP LOOSE)
P/N U77-A1110-8000-P

AMPHENOL PART NUMBER CONFIGURATION

U77 - A 1 1 1 8 - X X 0 X

- PACKAGING
 - 1 = TRAY PACKAGING
 - T = TAPE & REEL PACKAGING
- OPTIONAL DUST COVER
 - 0 = NO DUST COVER
 - D = WITH DUST COVER (SHIP LOOSE)
- PLATING
 - 1 = TIN PLATING
 - 2 = NICKEL PLATING



| | | | |
|-------------------|--------------|------|------------|
| DRAWN | J.SI | DATE | 2005/03/08 |
| DESIGNED | J.SI | DATE | 2005/03/08 |
| CHECKED | X | | X |
| DWG. APPRD. | | | |
| ENG. REL. NO. | | | |
| REF. | X | | |
| DIMENSIONS ARE IN | CODE ID. NO. | | |
| INCHES [mm] | 03554 | | |

Amphenol Canada Corp.

TITLE
SFP SINGLE CAGE
WITH 8 PRESS FIT / 12 EMI PINS

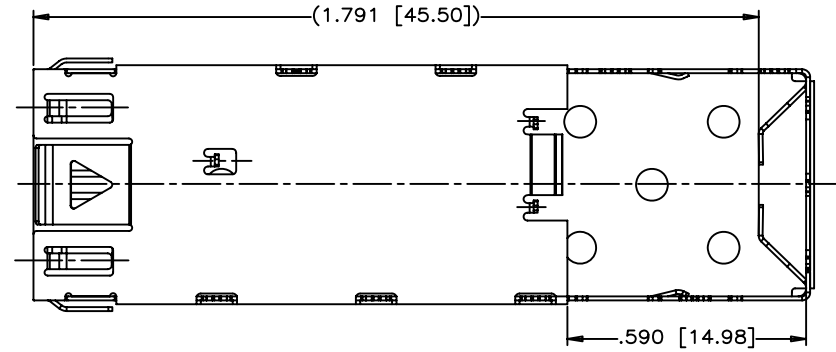
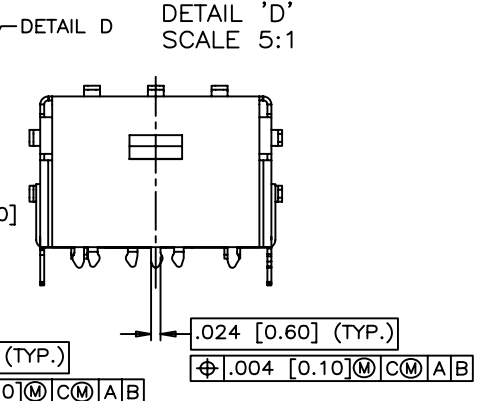
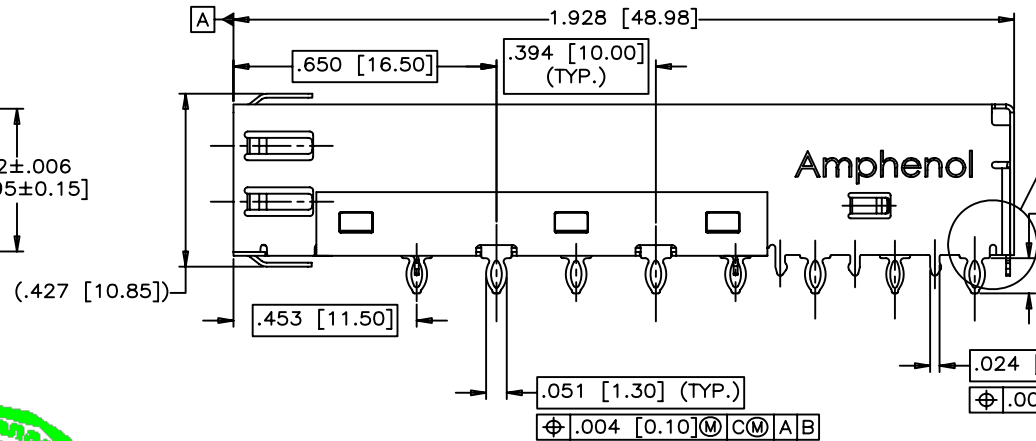
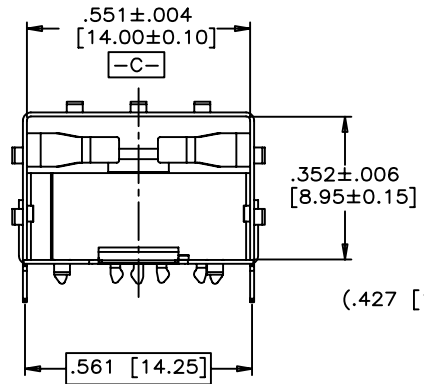
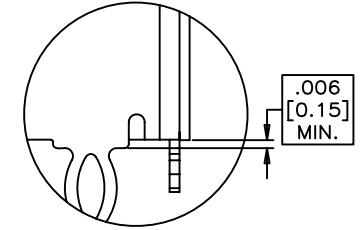
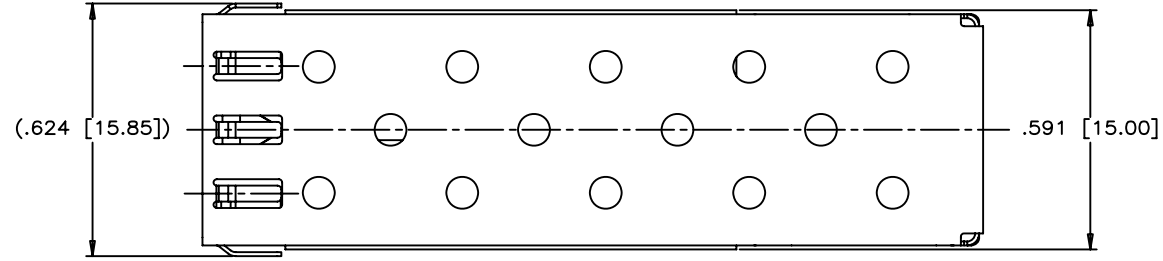
DWG. A DRAWING NO. P-U77-A1118-XXOX REV. G

SCALE 2:1 WT. SURF. SHEET 1 OF 5

THIS DOCUMENT CONTAINS PROPRIETARY INFORMATION AND SUCH INFORMATION MAY NOT BE DISCLOSED TO OTHERS FOR ANY PURPOSE OR USED FOR MANUFACTURING PURPOSES WITHOUT WRITTEN PERMISSION FROM AMPHENOL CANADA CORP.

| REVISIONS | | | | |
|-----------|------|--------------|------------|--------|
| SYM | ZONE | ECN, ERN NO. | DATE | APPRD. |
| E | | UPDATED | 2006/02/07 | |
| F | | UPDATED | JAN29/08 | |
| G | | UPDATED | AUG03/08 | |

THIS IS A CAD DRAWING. DO NOT MANUALLY REVISE.



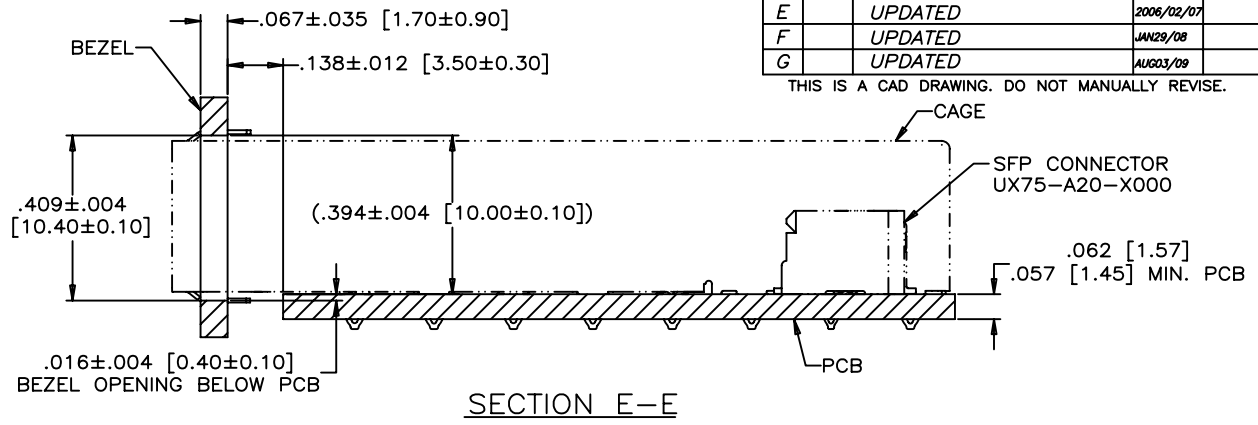
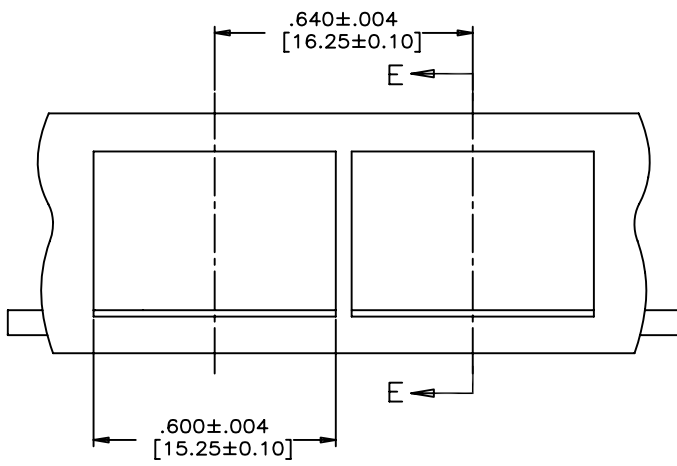
| | | | |
|-------------------------------|------|--------------|------------|
| DRAWN | J.SI | DATE | 2005/03/08 |
| DESIGNED | J.SI | DATE | 2005/03/08 |
| CHECKED | X | | |
| DWG. APPRD. | | | |
| ENG. REL. NO. | | | |
| REF. | X | | |
| DIMENSIONS ARE IN INCHES [mm] | | CODE ID. NO. | 03554 |

| | | | |
|--|------------------|-------|--------|
| Amphenol Canada Corp. | | | |
| TITLE | | | |
| SFP SINGLE CAGE WITH 8 PRESS FIT / 12 EMI PINS | | | |
| DWG | DRAWING NO. | REV. | |
| A | P-U77-A1118-XX0X | G | |
| SCALE | 2:1 | WT. | |
| SURF. | | SHEET | 2 OF 5 |

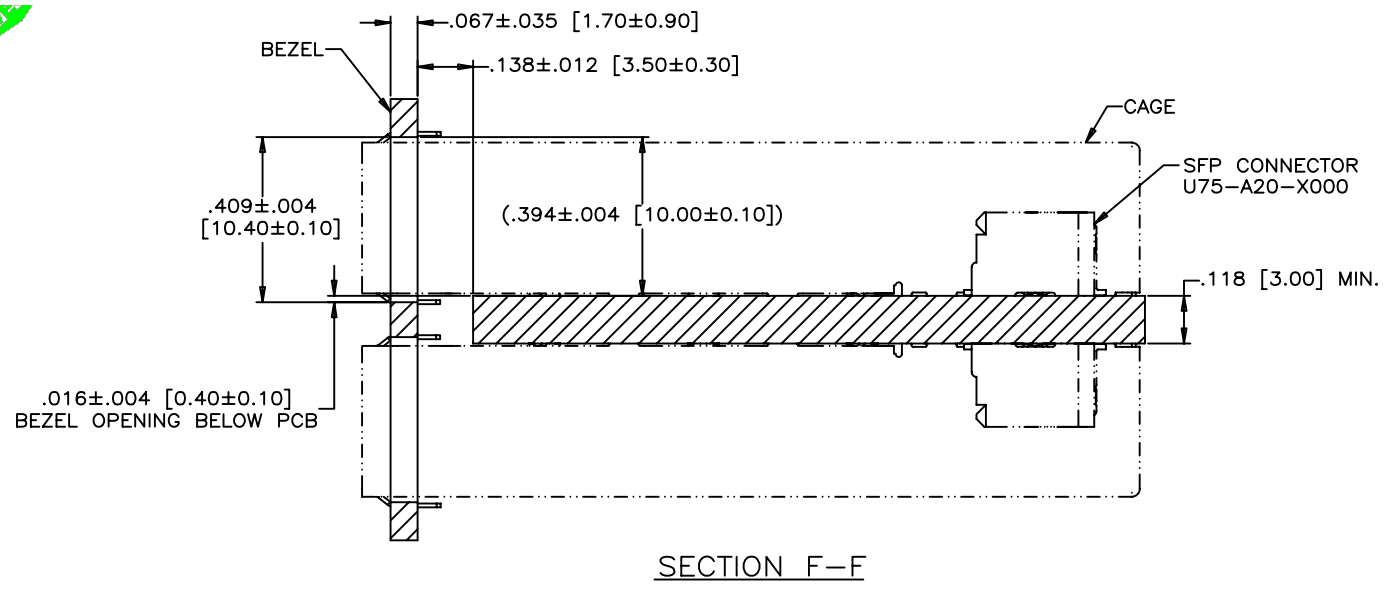
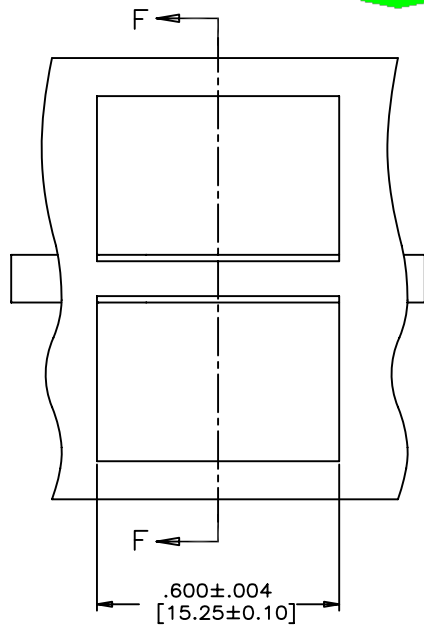
THIS DOCUMENT CONTAINS PROPRIETARY INFORMATION AND SUCH INFORMATION MAY NOT BE DISCLOSED TO OTHERS FOR ANY PURPOSE OR USED FOR MANUFACTURING PURPOSES WITHOUT WRITTEN PERMISSION FROM AMPHENOL CANADA CORP.

| REVISIONS | | | | |
|-----------|------|--------------|------------|--------|
| SYM | ZONE | ECN, ERN NO. | DATE | APPRD. |
| E | | UPDATED | 2006/02/07 | |
| F | | UPDATED | JAN29/08 | |
| G | | UPDATED | AUG03/09 | |

THIS IS A CAD DRAWING. DO NOT MANUALLY REVISE.



RECOMMENDED BEZEL DESIGN
(ONE SIDE CAGE MOUNTING)



RECOMMENDED BEZEL DESIGN
(BELLY TO BELLY CAGE MOUNTING)

| | | | |
|-------------------|-------------|--------------|------------|
| DRAWN | J.SJ | DATE | 2005/03/08 |
| DESIGNED | J.SJ | DATE | 2005/03/08 |
| CHECKED | X | | |
| DWG. APPRD. | | | |
| ENG. REL. NO. | | | |
| REF. | X | | |
| DIMENSIONS ARE IN | INCHES [mm] | CODE ID. NO. | 03554 |

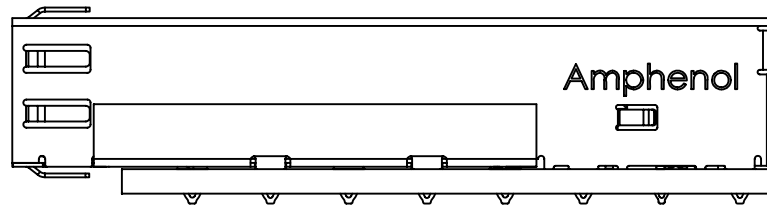
| | | | |
|---|------------------|------|--------------|
| Amphenol Canada Corp. | | | |
| TITLE | | | |
| SFP SINGLE CAGE WITH 8 PRESS FIT / 12 EMI PINS | | | |
| DWG. | DRAWING NO. | REV. | |
| A | P-U77-A1118-XX0X | G | |
| SCALE | 2:1 | WT. | SHEET 3 OF 5 |

THIS DOCUMENT CONTAINS PROPRIETARY INFORMATION AND SUCH INFORMATION MAY NOT BE DISCLOSED TO OTHERS FOR ANY PURPOSE OR USED FOR MANUFACTURING PURPOSES WITHOUT WRITTEN PERMISSION FROM AMPHENOL CANADA CORP.

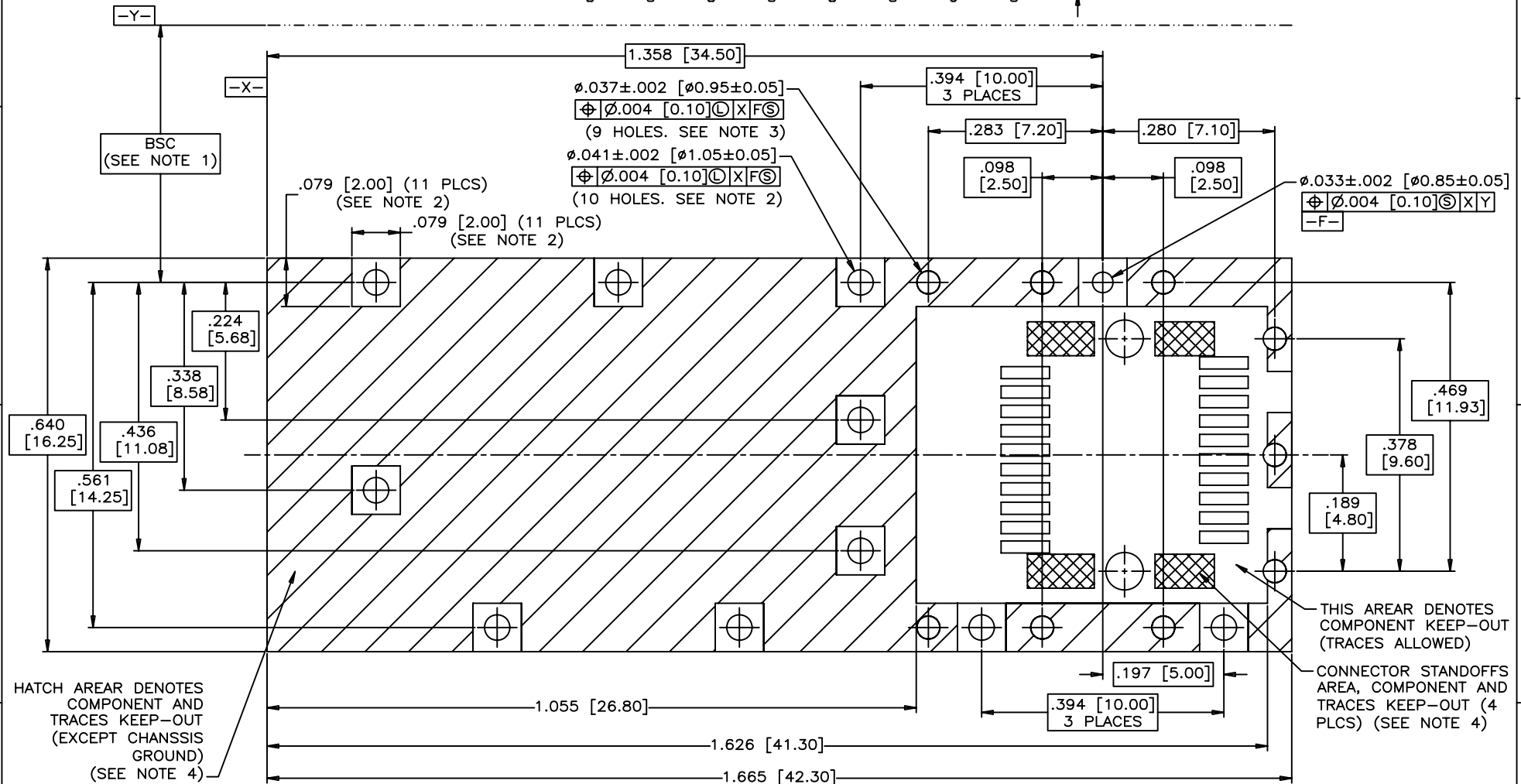
- NOTES:
1. DATUM AND BASIC DIMENTIONS ESTABLISHED BY CUSTOMER
 2. PADS AND VIAS ARE CHASSIS GROUND, 11 PLACES.
 3. THRU HOLES, PLATING OPTIONAL.
 4. SEE DRAWINGS P-U75-A20-X000X FOR CONNECTOR PCB LAYOUT.

| REVISIONS | | | | |
|-----------|------|--------------|------------|--------|
| SYM | ZONE | ECN, ERN NO. | DATE | APPRD. |
| E | | UPDATED | 2006/02/07 | |
| F | | UPDATED | JAN29/08 | |
| G | | UPDATED | AUG03/09 | |

THIS IS A CAD DRAWING. DO NOT MANUALLY REVISE.



.062 [1.57]
.057 [1.45] MIN. PCB



RECOMMENDED SFP HOST BOARD LAYOUT
(ONE SIDE CAGE MOUNTING)
(SCALE 4:1)

| | | | |
|-------------------|-------------|--------------|------------|
| DRAWN | J.SI | DATE | 2005/03/08 |
| DESIGNED | J.SI | DATE | 2005/03/08 |
| CHECKED | X | | X |
| DWG. APPRD. | | | |
| ENG. REL. NO. | | | |
| REF. | X | | |
| DIMENSIONS ARE IN | INCHES [mm] | CODE ID. NO. | 03554 |

Amphenol Canada Corp.

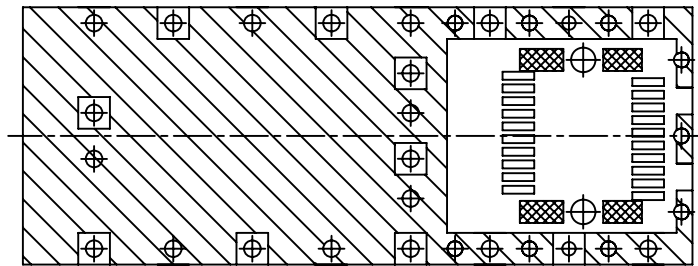
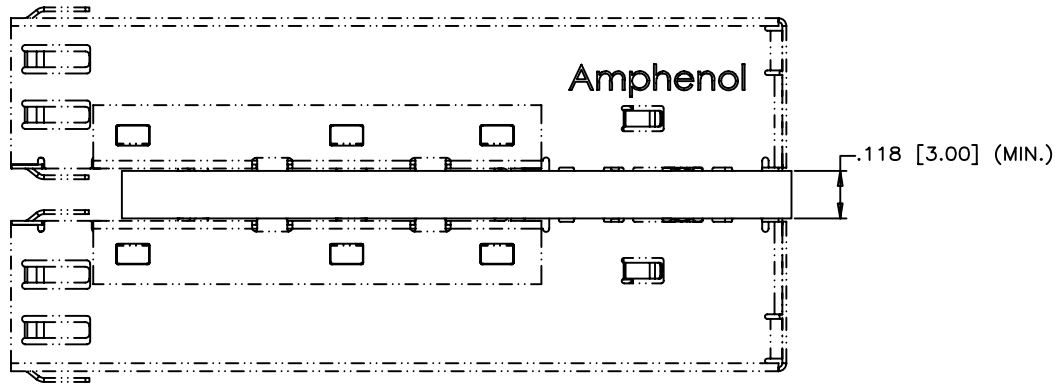
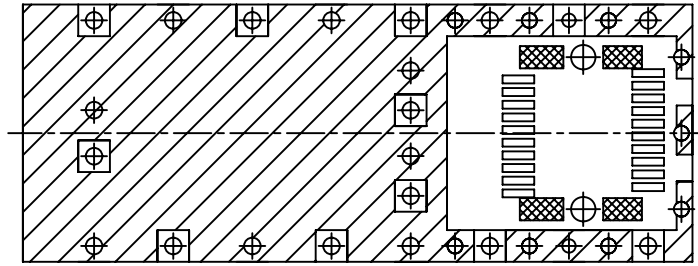
TITLE
SFP SINGLE CAGE
WITH 8 PRESS FIT / 12 EMI PINS

| | | | |
|--------------|-------------|------------------|--------|
| DWG. A | DRAWING NO. | P-U77-A1118-XX0X | REV. G |
| SCALE | 2:1 | WT. | SURF. |
| SHEET 4 OF 5 | | | |

THIS DOCUMENT CONTAINS PROPRIETARY INFORMATION AND SUCH INFORMATION MAY NOT BE DISCLOSED TO OTHERS FOR ANY PURPOSE OR USED FOR MANUFACTURING PURPOSES WITHOUT WRITTEN PERMISSION FROM AMPHENOL CANADA CORP.

| REVISIONS | | | | |
|-----------|------|--------------|------------|--------|
| SYM | ZONE | ECN, ERN NO. | DATE | APPRD. |
| E | | UPDATED | 2006/02/07 | |
| F | | UPDATED | JAN28/08 | |
| G | | UPDATED | AUG03/09 | |

THIS IS A CAD DRAWING. DO NOT MANUALLY REVISE.



RECOMMENDED SFP HOST BOARD LAYOUT
(BELLY TO BELLY CAGE MOUNTING)

| | | | |
|-------------------|-------------|--------------|------------|
| DRAWN | J.SI | DATE | 2005/03/08 |
| DESIGNED | J.SI | DATE | 2005/03/08 |
| CHECKED | X | | |
| DWG. APPRD. | | | |
| ENG. REL. NO. | | | |
| REF. | X | | |
| DIMENSIONS ARE IN | INCHES [mm] | CODE ID. NO. | 03554 |

Amphenol Canada Corp.

TITLE
 SFP SINGLE CAGE
 WITH 8 PRESS FIT / 12 EMI PINS

DWG. A DRAWING NO. P-U77-A1118-XX0X REV. G

SCALE 2:1 WT. SURF. SHEET 5 OF 5

THIS DOCUMENT CONTAINS PROPRIETARY INFORMATION AND SUCH INFORMATION
 MAY NOT BE DISCLOSED TO OTHERS FOR ANY PURPOSE OR USED FOR MANUFACTURING
 PURPOSES WITHOUT WRITTEN PERMISSION FROM AMPHENOL CANADA CORP.