

PRODUCT NUMBER

98481-YXXLF

RoHS COMPATIBLE, SEE NOTE 7

NUMBER OF POSITIONS : 02 TO 36

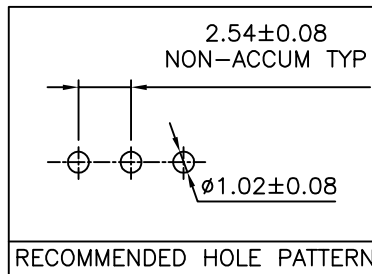
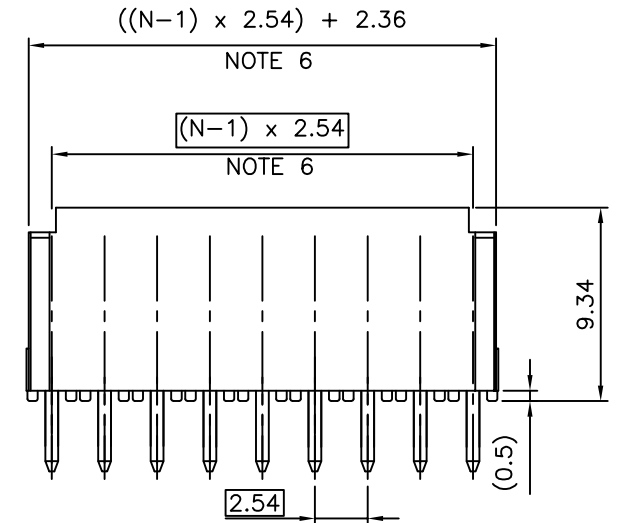
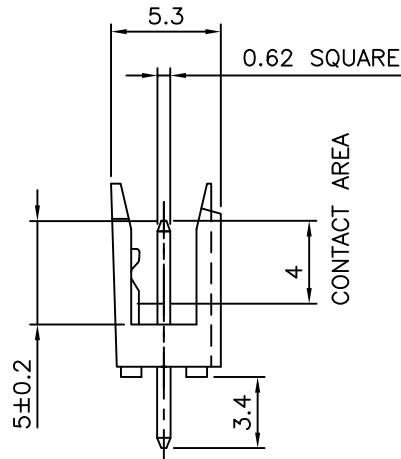
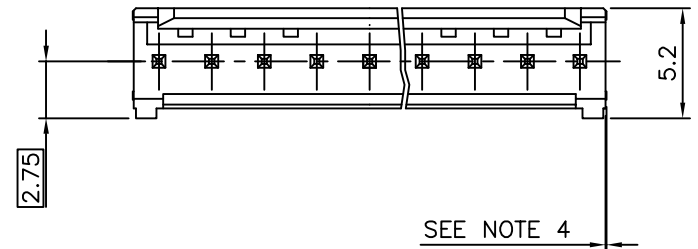
PLATING

3=0.76µm GOLD/GXT ON CONTACT AREA  
2µm MIN MATTE TIN ON TAIL

4=2µm MIN MATTE TIN FULL PLATED  
1.27µm Ni MIN UNDERPLATING

NOTES:

1. BODY MATERIAL: POLYESTER 30% GLASSFILLED COLOR BLUE, FLAME RETARDANT PER UL-94 V0.
2. CONTACT MATERIAL: PHOSPHOR BRONZE.
3. 15N MIN PIN RETENTION IN EITHER DIRECTION
4. 0.6 MAX PROTRUSION PERMITTED AT 4 PLACES
5. PACKAGING :  
- POLYBAGS FROM 02 TO 06 POSITIONS  
- TUBE FROM 07 TO 36 POSITIONS
6. TO DETERMINE DIMENSIONS :  
N = NUMBER OF POSITIONS PER ROW  
EXAMPLE : 8 POS N x 2.54 = 20.32mm
7. RoHS COMPATIBLE PRODUCT SPECIFICATIONS
  - a - PLATING:  
- "LF" MEANS THE PRODUCT IS LEAD-FREE,  
2µm MINIMUM MATTE TIN OVER 1.27µm  
MINIMUM NICKEL UNDERPLATE.
  - b - MANUFACTURING PROCESS COMPATIBILITY  
- THE HOUSING WILL WITHSTAND EXPOSURE TO  
245°C ±5°C SOLDER BATH TEMPERATURE FOR  
5 SECONDS IN A WAVE SOLDER APPLICATION  
WITH A 1.6mm MIN THICK CIRCUIT BOARD.
  - c - LABELING:  
- MEETS PACKAGING SPECS AS PER GS-14-920
  - d - LEGAL STATEMENT: SEE GS-47-0004



mat'l. code		surface		tolerance		projection		product family	
SEE NOTES		ISO 1302		ISO 406 ISO 1101		mm		DUBOX HDR	
ltr	ecn no	dr	date	tolerances unless otherwise specified		mm		title	
A	F00190	LMU	00.04.12	angles	.X ±0.3	mm		DUBOX HEADER	
B	F05-0117	LMU	05.01.26	linear	.XX ±0.15	mm		STRAIGHT, SINGLE ROW	
C	F05-0244	JCO	05.09.06		.XXX ±0.05	scale 4:1		dwg no	
D	F06-0228	LMU	06.07.11	dr	MULIN.L 00.04.12	FCJ		sheet 1 of 1 size	
E	F08-0147	YOV	08.04.14	engr	COMPAGNON.J 00.04.12			98481 A3	
F	B-19285	AMA	14.11.03	chr				type	
G	F-21810	AMA	15.06.19	appd	JMC 00.04.12			CUSTOMER Drawing	
sheet index		revision sheet							