

General Specifications

Motor Protection:

Auto Restart/Polarity Protection

Insulation Resistance:

10M Ω or over with a DC500V Megger

Dielectric Withstand Voltage:

AC 700V 1s or AC 500V 1min

Allowable Ambient Temperature Range:

-10°C ~ +70°C (Operating)

-40°C ~ +70°C (Storage)

(non-condensing environment)

Expected Life

Failure Rate: 10%

60°C 40,000 Hours (AA/EA)

Material

Casing : Plastic (Black) UL94V-0

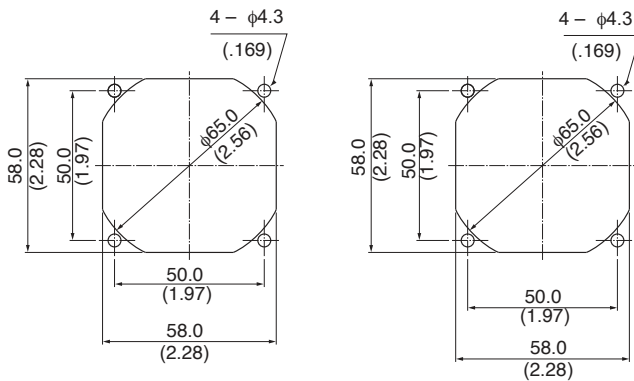
Impeller : Plastic (Black) UL94V-0

Bearing : Ball Bearing

Lead Wire : UL3385, AWG26, +Red, -Black

Panel Cut-Outs

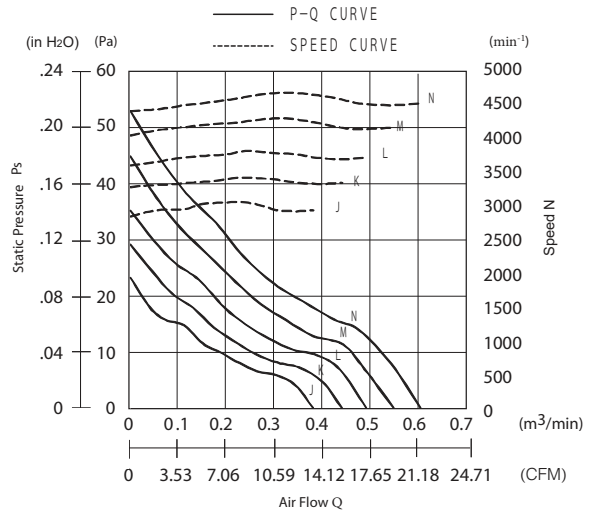
Units: mm (inch)



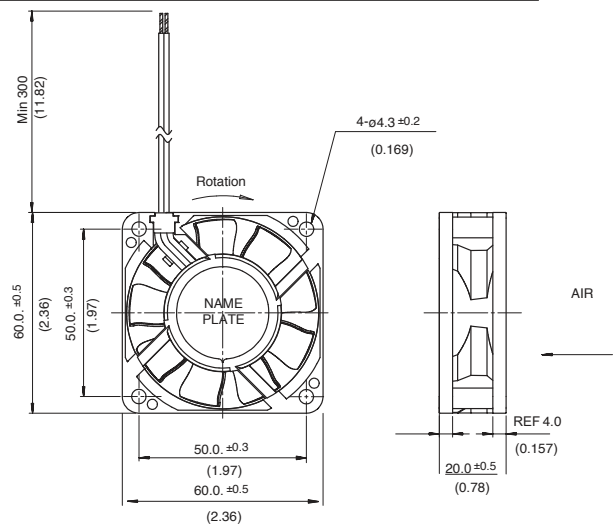
INLET SIDE

OUTLET SIDE

Characteristic Curves



Outline



***Outline is A (Rib) Type

Name Plate

FACTORY ID. 7: CHINA
C: JAPAN
U: CAMBODIA

LOT NO.

CHINA or JAPAN or CAMBODIA

	(A)	(B)
Model Name		Current
06020SA-12J-□A	0.08	
06020SA-12K-□A	0.08	
06020SA-12L-□A	0.09	
06020SA-12M-□A	0.11	
06020SA-12N-□A	0.14	

Specifications

□ = Casing Form --- A: Rib Type, E: Flange Type

MODEL	Rated Voltage	Operating Voltage	Current	Input Power	Speed	Max. Air Flow		Max. Static Pressure		Noise	Mass
	(V)	(V)	(A)*1	(W)*1	(min ⁻¹)*1	(CFM)	(m ³ /min)	(in H ₂ O)	(Pa)	(dB)*1	(g)
06020SA-12J-□A-00	12	6.0 ~ 13.8	0.05	0.60	2800	12.71	0.36	0.09	21.2	21.5	56
06020SA-12K-□A-00	12	6.0 ~ 13.8	0.05	0.60	3200	14.48	0.41	0.11	27.6	23.5	56
06020SA-12L-□A-00	12	6.0 ~ 13.8	0.06	0.72	3600	16.60	0.47	0.14	34.7	26.0	56
06020SA-12M-□A-00	12	6.0 ~ 13.8	0.08	0.96	4000	18.36	0.52	0.17	42.6	28.5	56
06020SA-12N-□A-00	12	6.0 ~ 13.8	0.09	1.08	4400	20.48	0.58	0.21	52.1	30.5	56

*1: Average Values in Free Air

Note: PWM/Locked Rotor/Tach Available