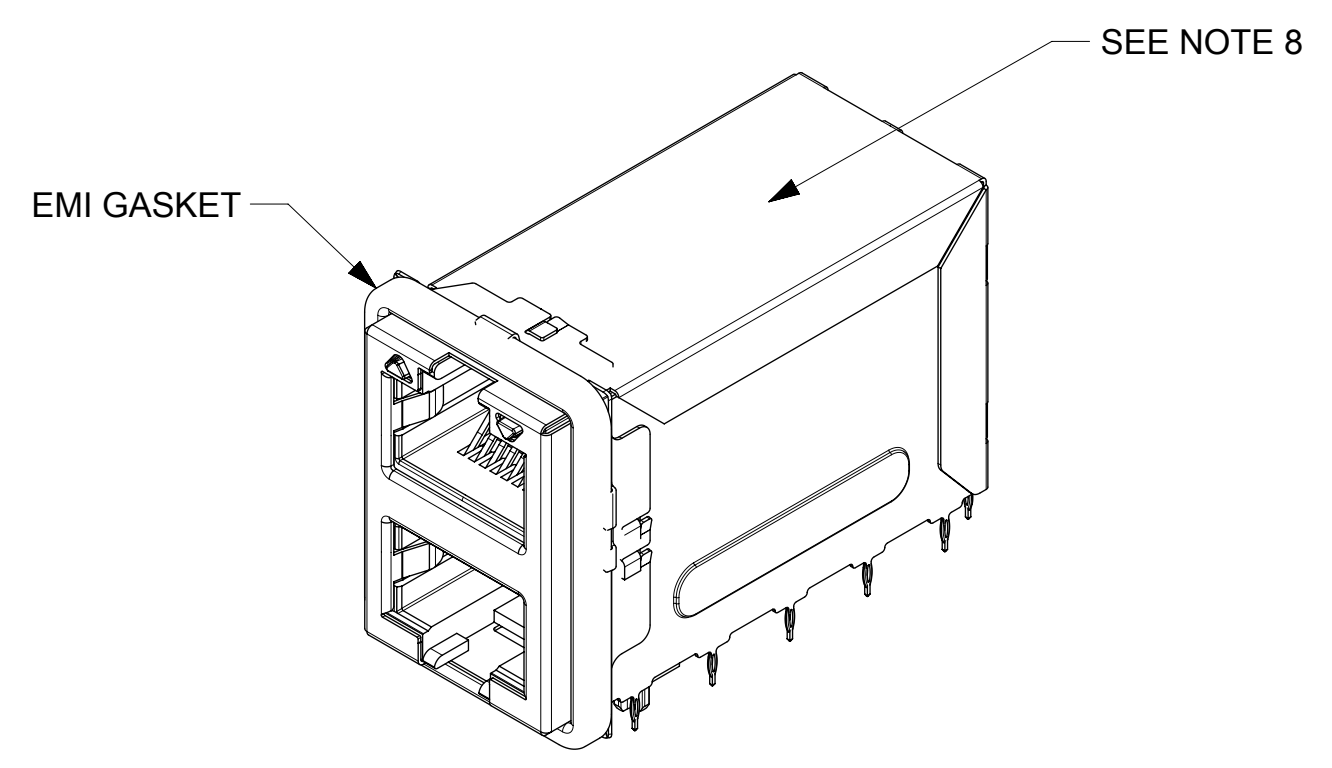
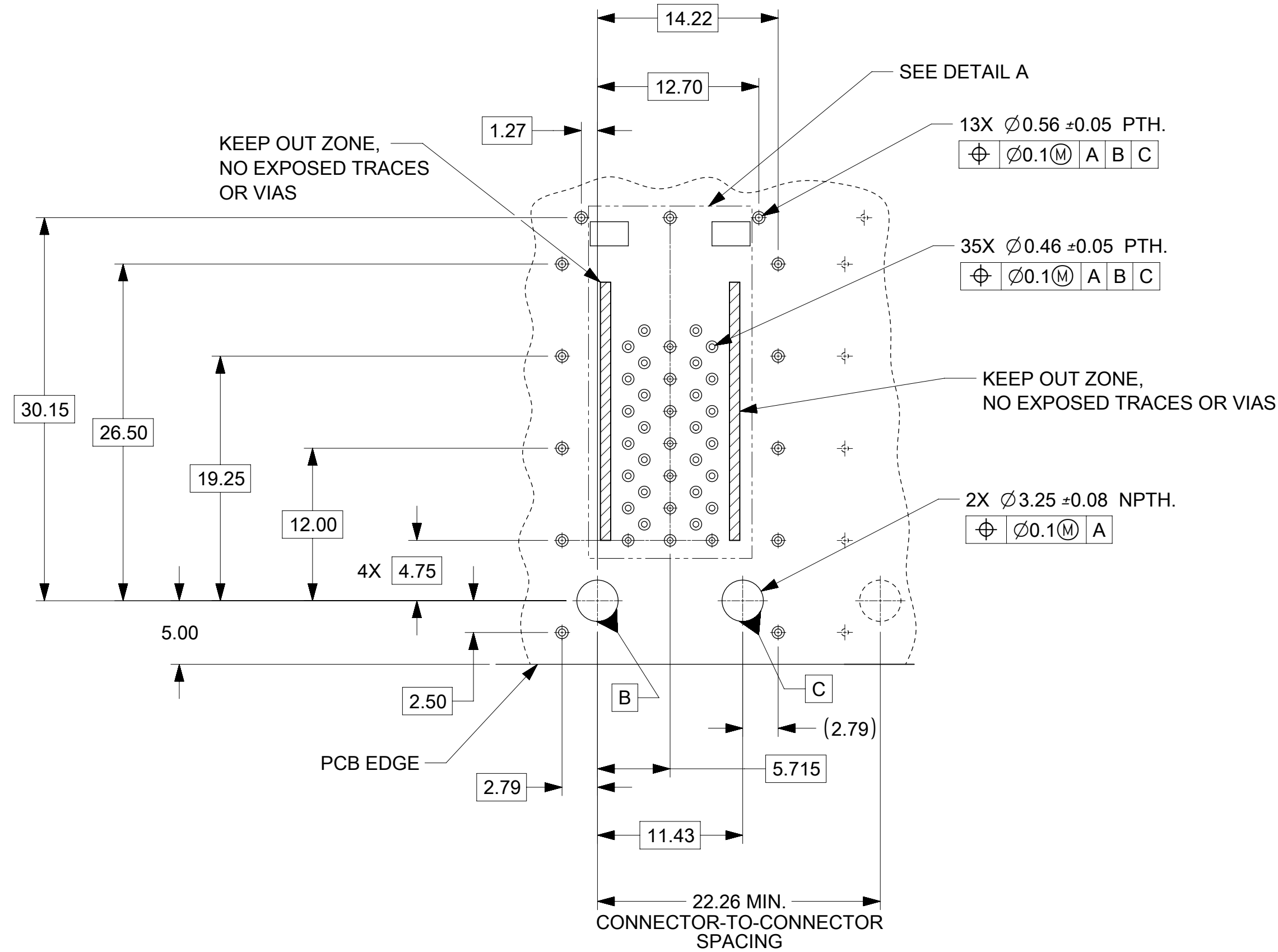


- NOTES:
- MATERIAL:
HOUSING: LCP, GLASS FILLED, UL94V-0, COLOR: BLACK
CONTACT BEAMS: COPPER ALLOY
SHIELD: NICKEL SILVER ALLOY
GASKET FLANGE: STAINLESS STEEL
EMI GASKET: CONDUCTIVE MATERIAL OVER ELASTOMERIC SILICONE CORE
PCB PINS: COPPER ALLOY
 - PLATING:
CONTACT BEAMS: 50 MICROINCHES MIN. GOLD AND OVER
150 MICROINCHES MIN NICKEL UNDERPLATE
 - PRODUCT SPECIFICATION: PS-170711-0001
 - PACKAGING SPECIFICATION: PK-170849-0001
 - MATE WITH: FCC COMPLIANT RJ45 CONNECTOR (PART 68.5)
 - APPLICATION SPECIFICATION: AS-170711-0002
 - COSMETIC SPECIFICATION: ES-46030-006
FRONT SURFACE: CLASS A
TOP SURFACE: CLASS B
ALL OTHER SURFACES: CLASS C
 - MOLEX PART NUMBER, SERIAL NUMBER AND TRACEABILITY MARK ARE LOCATED IN AREA SHOWN.

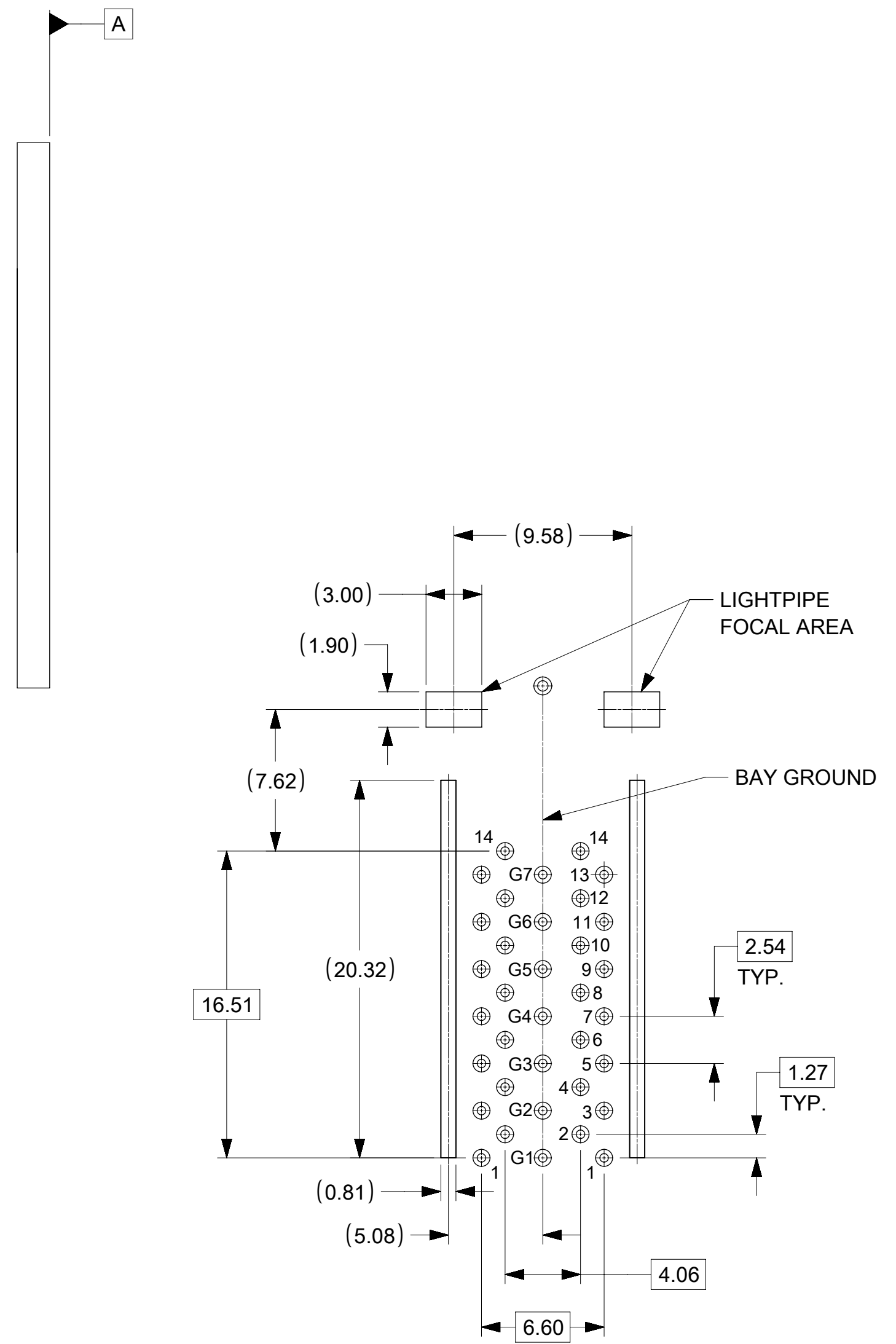


THIS DRAWING CONTAINS INFORMATION THAT IS PROPRIETARY TO MOLEX ELECTRONIC TECHNOLOGIES, LLC AND SHOULD NOT BE USED WITHOUT WRITTEN PERMISSION									
SYMBOLS	DIMENSION UNITS	SCALE	CURRENT REV DESC:			molex			
▽ = 0	mm					10 GIG 2X1 PRESS-FIT ASSEMBLY			
▽ = 0	GENERAL TOLERANCES (UNLESS SPECIFIED)		EC NO: 175337			PRODUCT CUSTOMER DRAWING			
▽ = 0	ANGULAR TOL ± °		DRWN: RALVAREZ02 2018/04/19			DOCUMENT NUMBER			
▽ = 0	4 PLACES ±		CHK'D: DMCGOWAN 2018/07/13			SD-170718-0030			
▽ = 0	3 PLACES ±		APPR: DMCGOWAN 2018/07/13			DOC TYPE DOC PART REVISION			
▽ = 0	2 PLACES ± 0.13		INITIAL REVISION:			PSD 000 A4			
▽ = 0	1 PLACE ± 0.25		DRWN: RCARLSON 2015/05/21			MATERIAL NUMBER			
▽ = 0	0 PLACES ±		APPR: KLANG 2016/09/16			CUSTOMER			
▽ = 0	DRAFT WHERE APPLICABLE MUST REMAIN WITHIN DIMENSIONS		THIRD ANGLE PROJECTION		DRAWING		SERIES		SHEET NUMBER
▽ = 0			C-SIZE		170718		GENERAL MARKET		1 OF 5

DOCUMENT STATUS	P1	RELEASE DATE	2018/07/13	16:48:52
-----------------	----	--------------	------------	----------

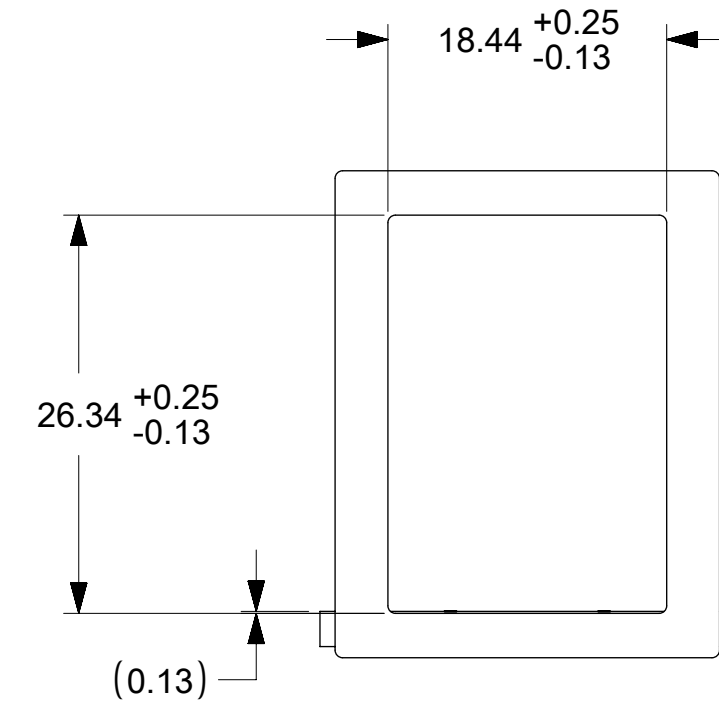
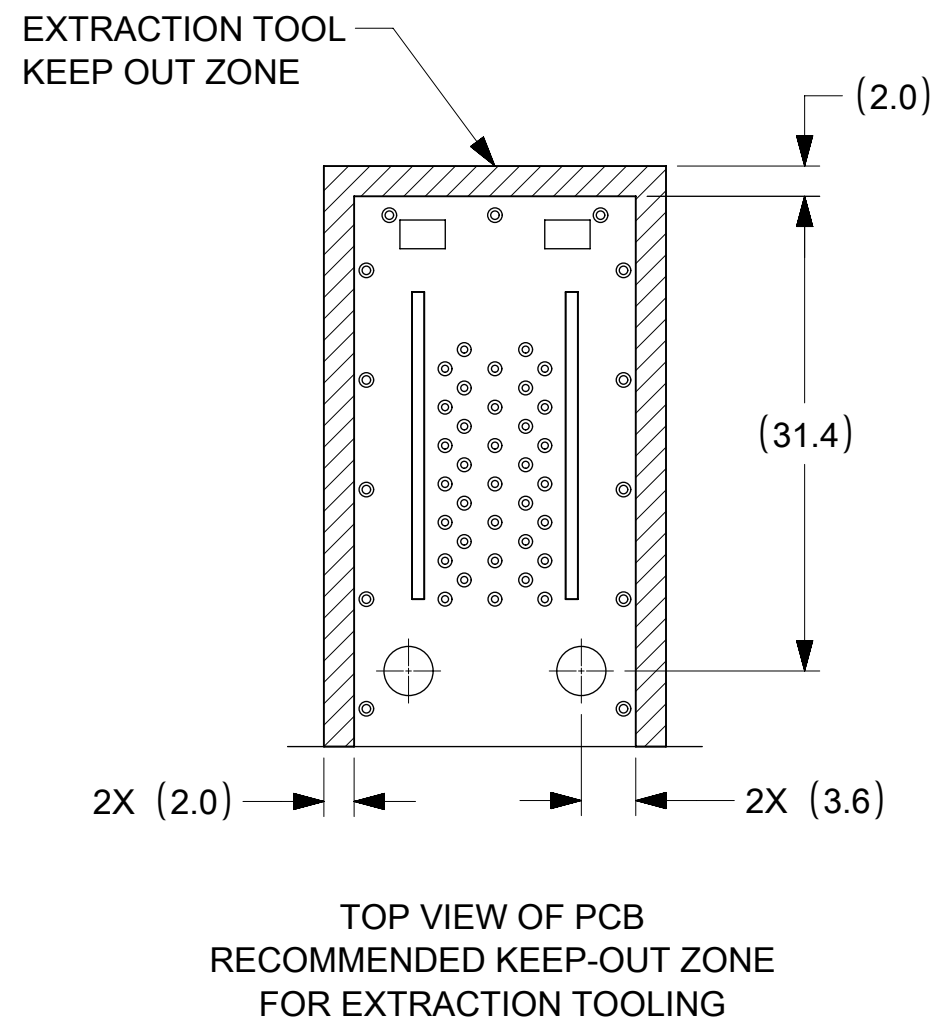


RECOMMENDED PCB LAYOUT
COMPONENT SIDE

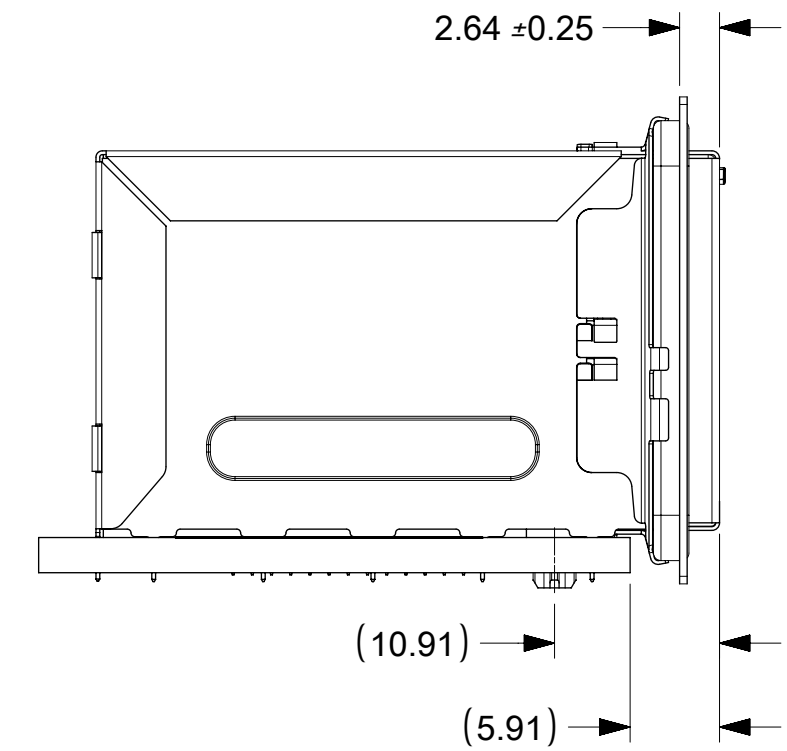
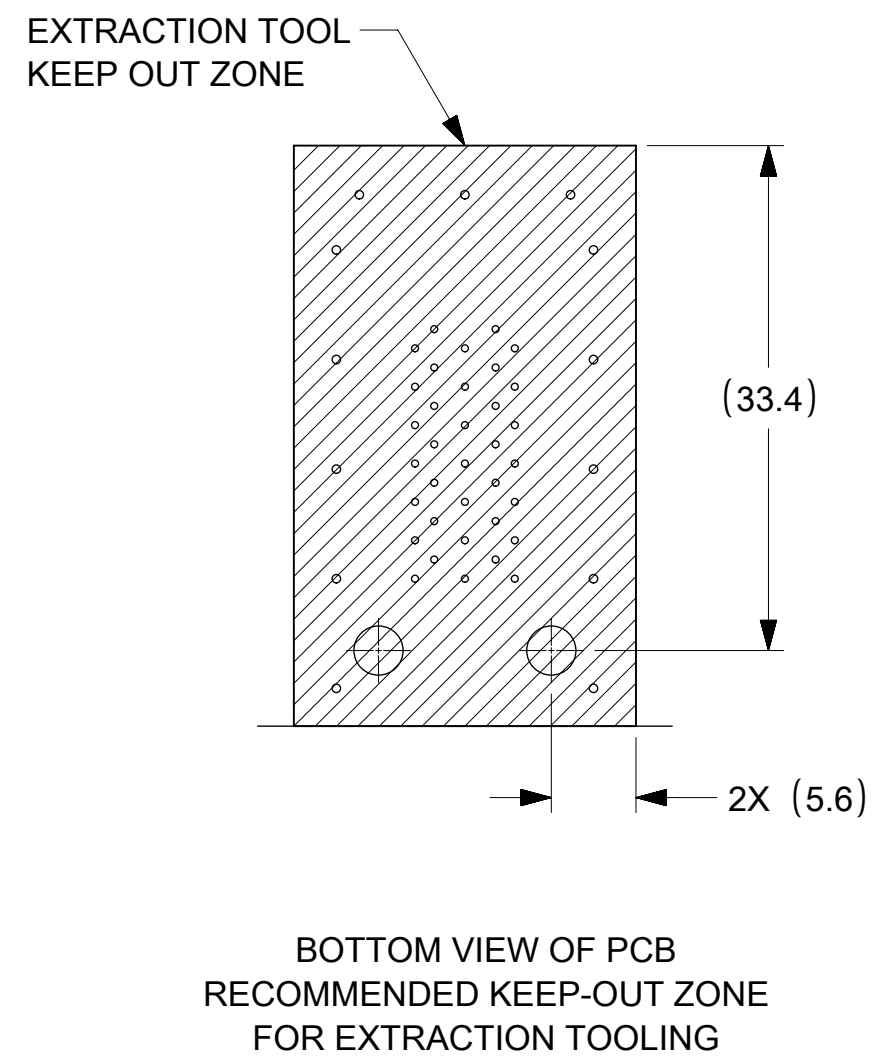


DETAIL A
SCALE 4:1

THIS DRAWING CONTAINS INFORMATION THAT IS PROPRIETARY TO MOLEX ELECTRONIC TECHNOLOGIES, LLC AND SHOULD NOT BE USED WITHOUT WRITTEN PERMISSION											
SYMBOLS		DIMENSION UNITS	SCALE	CURRENT REV DESC:							
$\nabla = 0$ $\nabla = 0$ $\nabla = 0$ $\nabla = 0$ $\nabla = 0$ $\nabla = 0$ $\nabla = 0$ $\nabla = 0$ $\nabla = 0$ $\nabla = 0$		mm		EC NO: 175337 DRWN: RALVAREZ02 2018/04/19 CHK'D: DMCGOWAN 2018/07/13 APPR: DMCGOWAN 2018/07/13 INITIAL REVISION: DRWN: RCARLSON 2015/05/21 APPR: KLANG 2016/09/16							
GENERAL TOLERANCES (UNLESS SPECIFIED) ANGULAR TOL \pm ° 4 PLACES \pm 3 PLACES \pm 2 PLACES ± 0.13 1 PLACE ± 0.25 0 PLACES \pm DRAFT WHERE APPLICABLE MUST REMAIN WITHIN DIMENSIONS				10 GIG 2X1 PRESS-FIT ASSEMBLY PRODUCT CUSTOMER DRAWING						DOCUMENT NUMBER SD-170718-0030	
				THIRD ANGLE PROJECTION 						DOC TYPE DOC PART REVISION PSD 000 A4	
				DRAWING SERIES C-SIZE 170718						MATERIAL NUMBER CUSTOMER SHEET NUMBER GENERAL MARKET 2 OF 5	

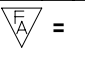
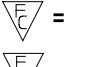
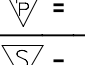

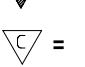
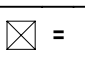

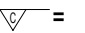
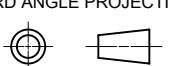



RECOMMENDED PANEL
OPENING



THIS DRAWING CONTAINS INFORMATION THAT IS PROPRIETARY TO MOLEX ELECTRONIC TECHNOLOGIES, LLC AND SHOULD NOT BE USED WITHOUT WRITTEN PERMISSION										
SYMBOLS		DIMENSION UNITS	SCALE	CURRENT REV DESC:						
$\nabla = 0$ $\nabla / = 0$ $\nabla \setminus = 0$ $\nabla \setminus / = 0$ $\nabla \setminus \setminus = 0$ $\nabla \setminus \setminus / = 0$ $\nabla \setminus \setminus \setminus = 0$ $\nabla \setminus \setminus \setminus / = 0$ $\nabla \setminus \setminus \setminus \setminus = 0$		mm		EC NO: 175337 DRWN: RALVAREZ02 2018/04/19 CHK'D: DMCGOWAN 2018/07/13 APPR: DMCGOWAN 2018/07/13						
GENERAL TOLERANCES (UNLESS SPECIFIED) ANGULAR TOL \pm ° 4 PLACES \pm 3 PLACES \pm 2 PLACES \pm 0.13 1 PLACE \pm 0.25 0 PLACES \pm		INITIAL REVISION: DRWN: RCARLSON 2015/05/21 APPR: KLANG 2016/09/16			DOCUMENT NUMBER SD-170718-0030		DOC TYPE	DOC PART	REVISION	
DRAFT WHERE APPLICABLE MUST REMAIN WITHIN DIMENSIONS $\nabla \setminus \setminus \setminus \setminus = 0$		THIRD ANGLE PROJECTION 		DRAWING	SERIES	MATERIAL NUMBER	CUSTOMER	SHEET NUMBER		
				C-SIZE	170718		GENERAL MARKET	3 OF 5		

ELECTRICAL CHARACTERISTIC		VALUE AT 25°C
CHIP SIDE RETURN LOSS	1 - 50 MHz	30 dB MIN
	50 - 100 MHz	30-0.04*(freq(MHz)-50) dB MIN
	100 - 200 MHz	28-0.10*(freq(MHz)-100) dB MIN
	200 - 400 MHz	18-0.04*(freq(MHz)-200) dB MIN
	400 - 500 MHz	10-0.01*(freq(MHz)-400) dB MIN
LINE SIDE RETURN LOSS	1 - 50 MHz	30 dB MIN
	50 - 100 MHz	30-0.04*(freq(MHz)-40) dB MIN
	100 - 200 MHz	28-0.10*(freq(MHz)-100) dB MIN
	200 - 400 MHz	18-0.04*(freq(MHz)-200) dB MIN
	400 - 500 MHz	10-0.01*(freq(MHz)-400) dB MIN
INSERTION LOSS	1 - 400 MHz	3 dB MAX
MODE CONVERSION CM ON LINE TO DM ON CHIP	1 - 50 MHz	-48 dB MAX
	50 - 100 MHz	-48+0.1*(freq(MHz)-50) dB MAX
	100 - 500 MHz	-43+0.03*(freq(MHz)-100) dB MAX
MODE CONVERSION CM ON CHIP TO DM ON LINE	1 - 50 MHz	-38 dB MAX
	50 - 100 MHz	-38+0.1*(freq(MHz)-50) dB MAX
	100 - 200 MHz	-33+0.03*(freq(MHz)-100) dB MAX
	200 - 300 MHz	-30+0.02*(freq(MHz)-200) dB MAX
	300 - 500 MHz	-28+0.01*(freq(MHz)-300) dB MAX
COMMON MODE REJECTION	1 - 100 MHz	-23 dB MAX
	100 - 400 MHz	-23+0.02*(freq(MHz)-100) dB MAX
	400 - 500 MHz	-17+0.01*(freq(MHz)-400) dB MAX
ALIEN CROSSTALK	1 - 50 MHz	-70 dB MAX
	50 - 200 MHz	-70+0.047*(freq(MHz)-50) dB MAX
	200 - 400 MHz	-63+0.015*(freq(MHz)-200) dB MAX
	400 - 500 MHz	-60+0.03*(freq(MHz)-400) dB MAX
CROSSTALK WITHIN A PORT	1 - 50 MHz	-40dB MAX
	50 - 100 MHz	0.12*(freq(MHz)-50)-40 dB MAX
	100 - 200 MHz	0.06*(freq(MHz)-100)-34 dB MAX
	200 - 300 MHz	0.03*(freq(MHz)-200)-28 dB MAX
	300 - 500 MHz	0.015*(freq(MHz)-300)-25 dB MAX
OCL	100 kHz @ 0 mA bias current; 160 μH MINIMUM	
	100 kHz @ 8 mA bias current; 150 μH MINIMUM	
TURN RATIO	1.000.02	
INSULATION RESISTANCE	2250 VDC	

SYMBOLS  = 0  = 0  = 0  = 0  = 0  = 0  = 0  = 0	THIS DRAWING CONTAINS INFORMATION THAT IS PROPRIETARY TO MOLEX ELECTRONIC TECHNOLOGIES, LLC AND SHOULD NOT BE USED WITHOUT WRITTEN PERMISSION			
	DIMENSION UNITS	SCALE	CURRENT REV DESC:	
	mm			
	GENERAL TOLERANCES (UNLESS SPECIFIED)		EC NO: 175337	
	ANGULAR TOL	± °	DRWN: RALVAREZ02	2018/04/19
	4 PLACES	±	CHK'D: DMCGOWAN	2018/07/13
	3 PLACES	±	APPR: DMCGOWAN	2018/07/13
	2 PLACES	± 0.13	INITIAL REVISION:	
	1 PLACE	± 0.25	DRWN: RCARLSON	2015/05/21
	0 PLACES	±	APPR: KLANG	2016/09/16
DRAFT WHERE APPLICABLE MUST REMAIN WITHIN DIMENSIONS		THIRD ANGLE PROJECTION	DRAWING	SERIES
			C-SIZE	170718



10 GIG 2X1 PRESS-FIT ASSEMBLY

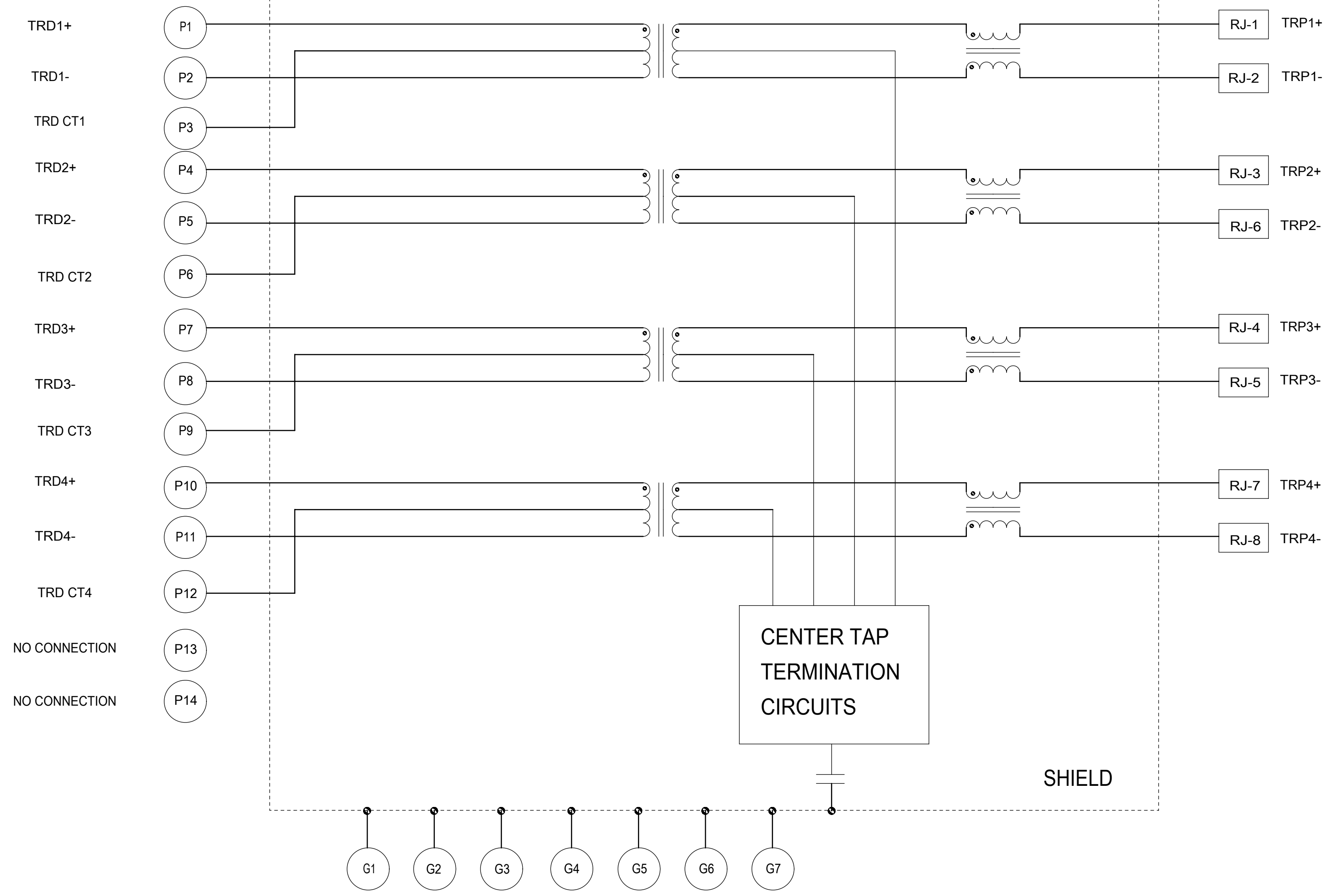
PRODUCT CUSTOMER DRAWING

DOCUMENT NUMBER	DOC TYPE	DOC PART	REVISION
SD-170718-0030	PSD	000	A4

MATERIAL NUMBER	CUSTOMER	SHEET NUMBER
	GENERAL MARKET	4 OF 5

PCB PIN SIDE

RJ45 JACK SIDE



THIS DRAWING CONTAINS INFORMATION THAT IS PROPRIETARY TO MOLEX ELECTRONIC TECHNOLOGIES, LLC AND SHOULD NOT BE USED WITHOUT WRITTEN PERMISSION														
SYMBOLS		DIMENSION UNITS		SCALE		CURRENT REV DESC:								
▽ = 0 ▽ = 0 ▽ = 0 ▽ = 0 ▽ = 0 ▽ = 0 ▽ = 0 ▽ = 0 ▽ = 0 ▽ = 0		mm				EC NO: 175337 DRWN: RALVAREZ02 2018/04/19 CHK'D: DMCGOWAN 2018/07/13 APPR: DMCGOWAN 2018/07/13 INITIAL REVISION: DRWN: RCARLSON 2015/05/21 APPR: KLANG 2016/09/16						10 GIG 2X1 PRESS-FIT ASSEMBLY PRODUCT CUSTOMER DRAWING		
▽ = 0 ▽ = 0 ▽ = 0 ▽ = 0 ▽ = 0 ▽ = 0 ▽ = 0 ▽ = 0 ▽ = 0		GENERAL TOLERANCES (UNLESS SPECIFIED) ANGULAR TOL ± ° 4 PLACES ± 3 PLACES ± 2 PLACES ± 0.13 1 PLACE ± 0.25 0 PLACES ±				DRWN: RCARLSON 2015/05/21 APPR: KLANG 2016/09/16				DOCUMENT NUMBER SD-170718-0030				DOC TYPE PSD
▽ = 0 ▽ = 0 ▽ = 0 ▽ = 0 ▽ = 0 ▽ = 0 ▽ = 0 ▽ = 0 ▽ = 0		DRAFT WHERE APPLICABLE MUST REMAIN WITHIN DIMENSIONS		THIRD ANGLE PROJECTION 		DRAWING C-SIZE		SERIES 170718		MATERIAL NUMBER CUSTOMER GENERAL MARKET		SHEET NUMBER 5 OF 5		