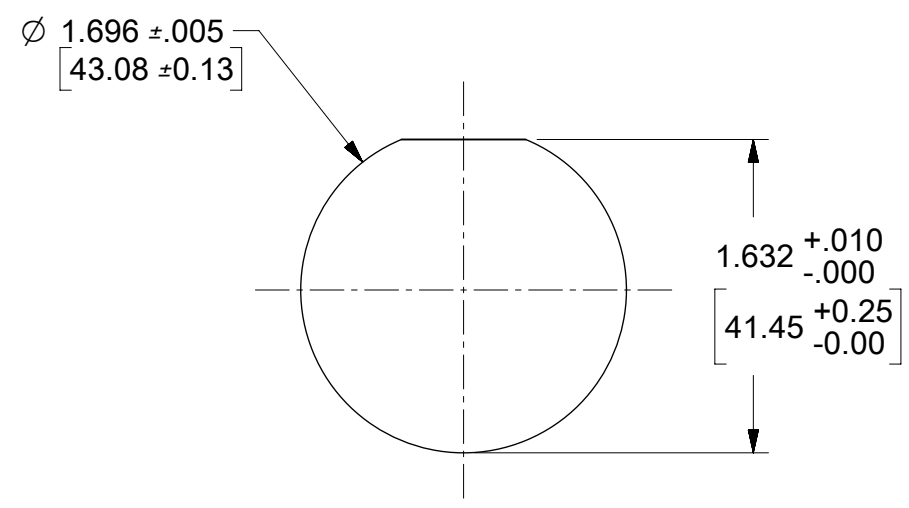
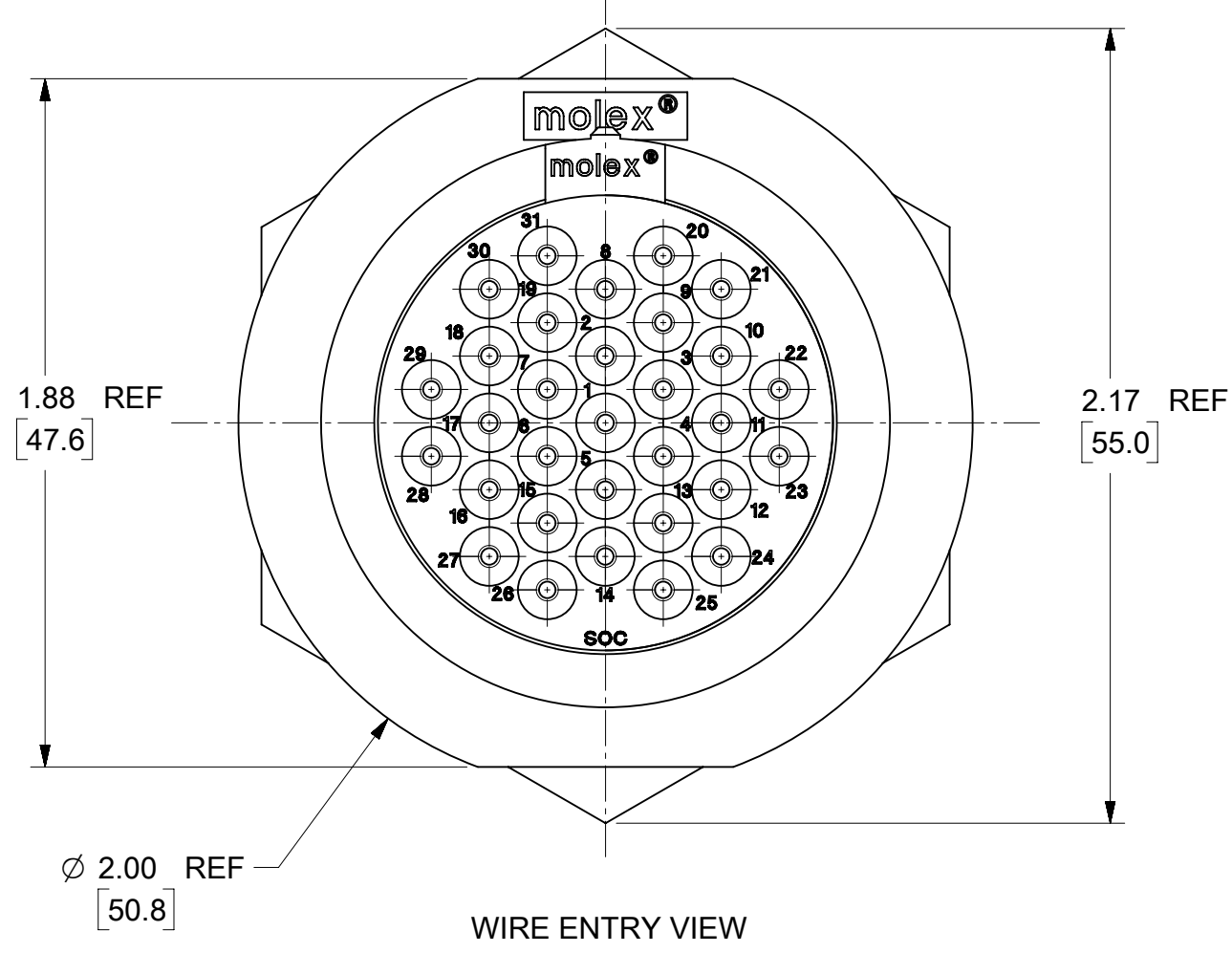


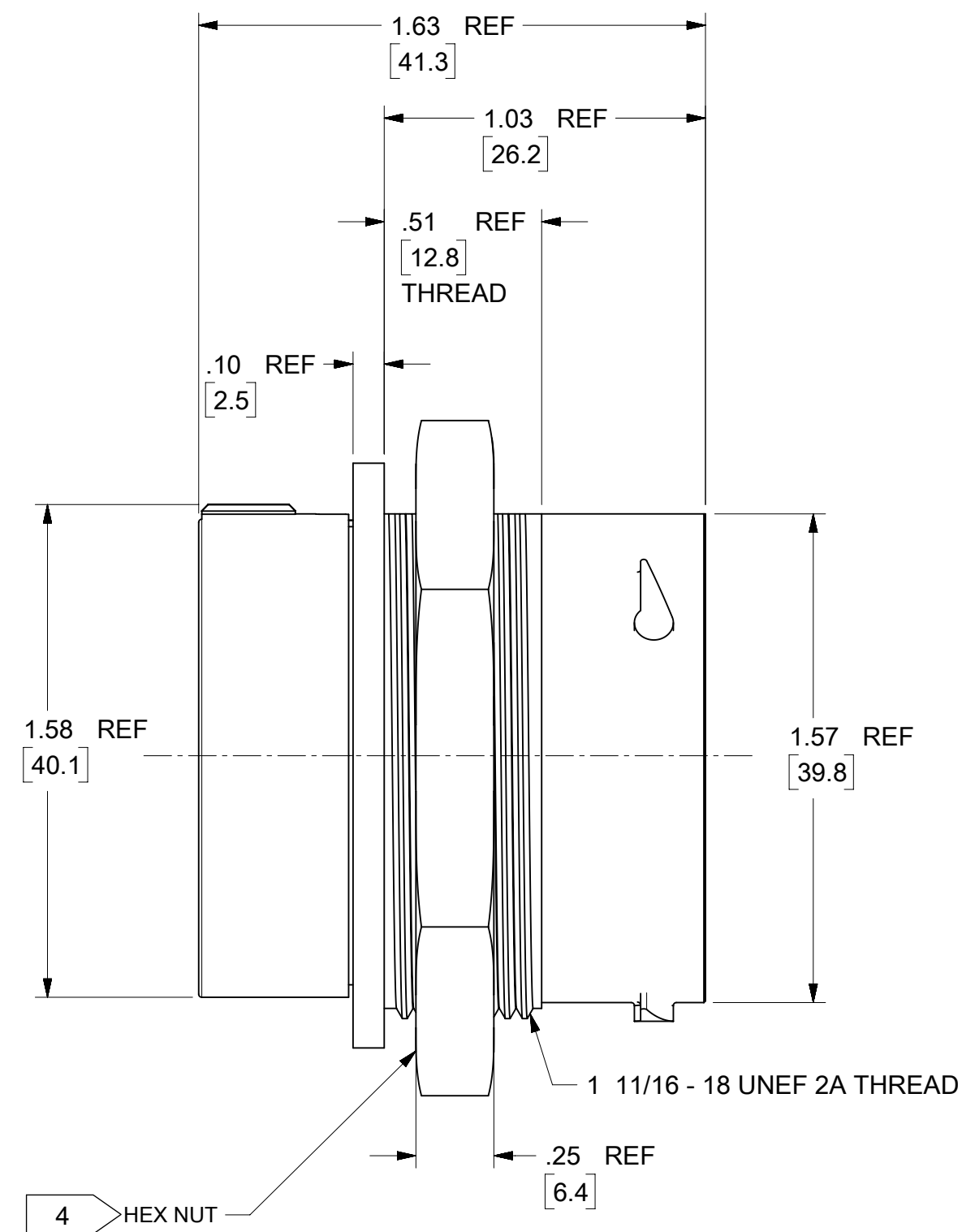
MATERIAL NUMBER	WIRE AWG	INSULATION O.D.	RING
845060001	18 - 14	.053 - .134 [1.35 - 3.40]	STANDARD BLACK



RECOMMENDED MOUNTING HOLE

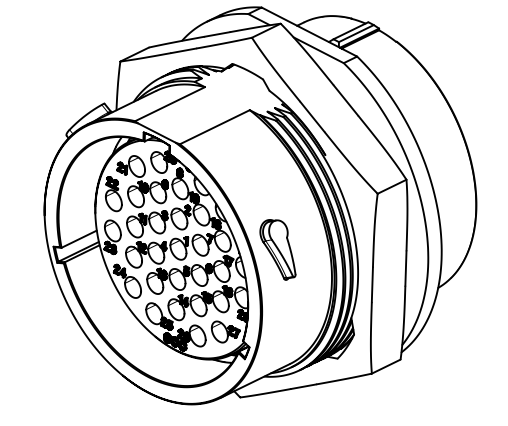
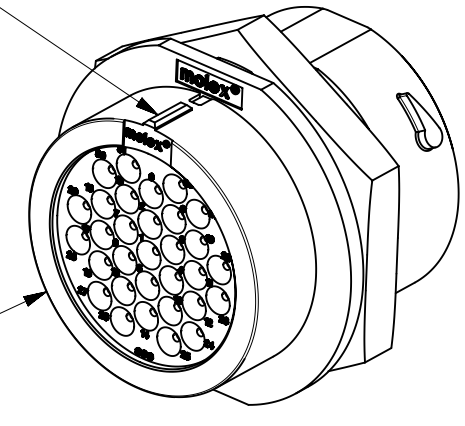


WIRE ENTRY VIEW

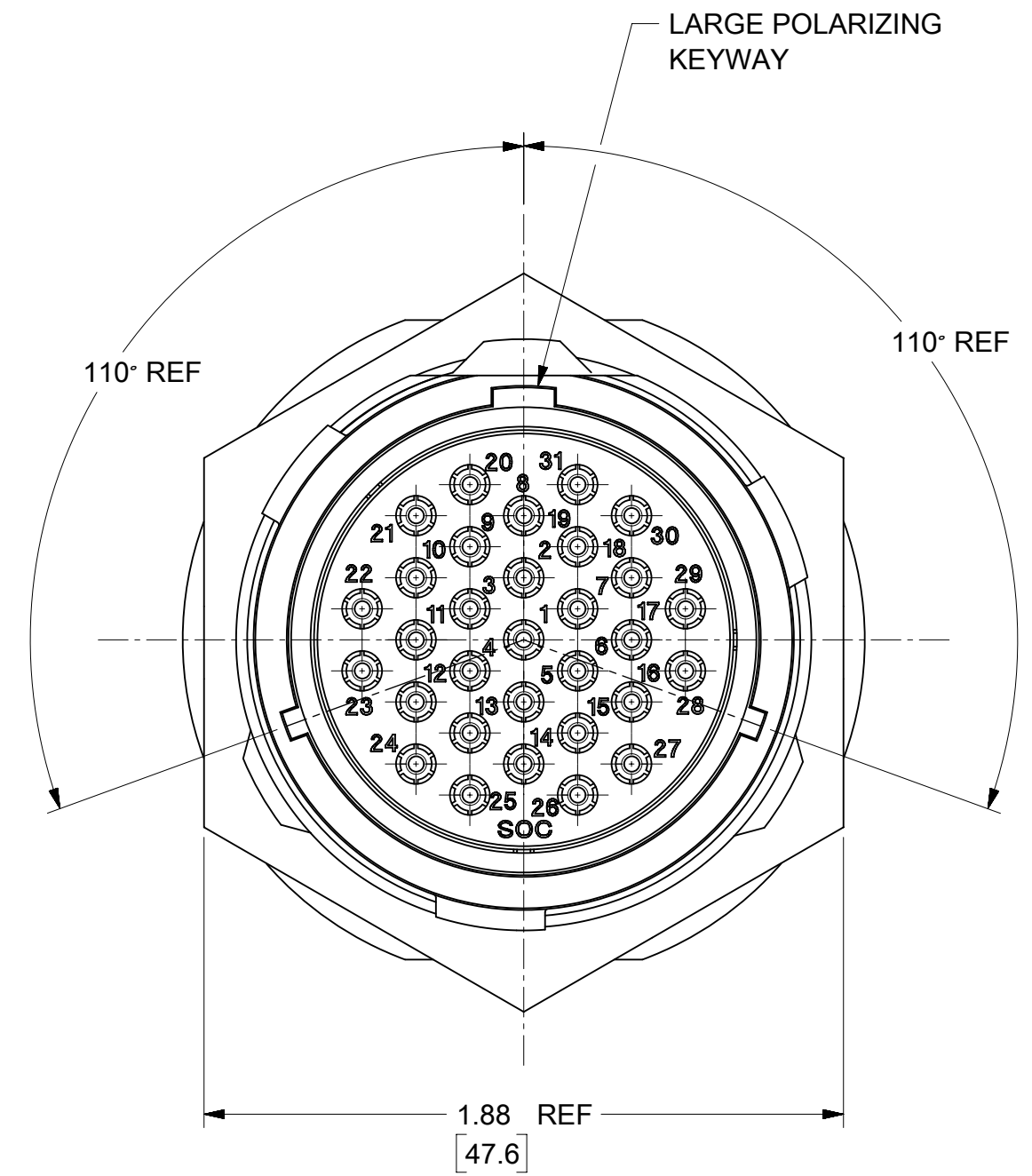


LARGE POLARIZING KEYWAY INDICATOR

STANDARD BLACK RING



SCALE 1:1



LARGE POLARIZING KEYWAY

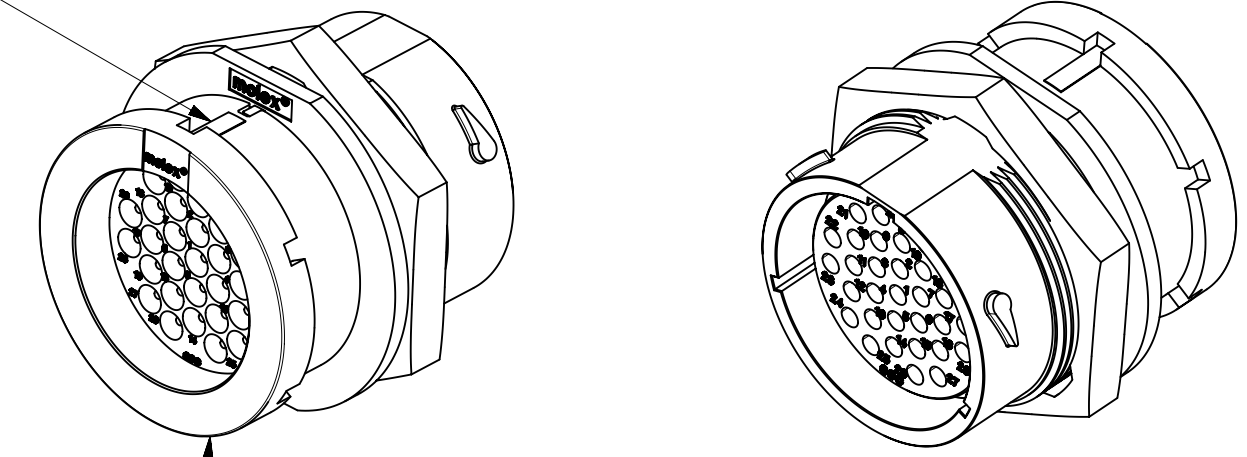
NOTES:

1. RECOMMENDED PANEL THICKNESS .062[1.58] TO .187[4.75].
2. USE CONNECTOR WITH FEMALE CRIMP TERMINAL SERIES 84525.
3. MATES WITH PLUG CONNECTOR SERIES 84505.
4. HEX NUT SOLD SEPARATELY, MOLEX MATERIAL NUMBER 84506-0012.
5. ASSEMBLY IS ROHS COMPLIANT.
6. PACKAGED PER PK-84501-001.

QUALITY SYMBOLS		THIS DRAWING CONTAINS INFORMATION THAT IS PROPRIETARY TO MOLEX ELECTRONIC TECHNOLOGIES, LLC AND SHOULD NOT BE USED WITHOUT WRITTEN PERMISSION			
▽ = 0	▽ = 0	CAD MIGRATION EC NO: 122085 DRWN: CRAODOREMS CHKD: SMCGREEVY REV / APPR: JDWALLACE	GENERAL TOLERANCES (UNLESS SPECIFIED)		DIMENSION UNITS
▽ = 0	▽ = 0		MM	INCH	IN[MM]
▽ = 0	▽ = 0		4 PLACES ±	±	SCALE
▽ = 0	▽ = 0		3 PLACES ±	±	2:1
▽ = 0	▽ = 0	2 PLACES ±	± 0.15	DRWN BY	DATE
▽ = 0	▽ = 0	1 PLACES ±	0.38 ±	JPAWLICKI	2006/6/5
▽ = 0	▽ = 0	0 PLACES ±	±	CHK'D BY	DATE
▽ = 0	▽ = 0			JPAWLICKI	2006/6/6
▽ = 0	▽ = 0			APPR BY	DATE
▽ = 0	▽ = 0			RDEROSS	2006/6/7
▽ = 0	▽ = 0			ANGULAR TOL = 2.0°	
▽ = 0	▽ = 0			DRAFT WHERE APPLICABLE MUST REMAIN WITHIN DIMENSIONS	
▽ = 0	▽ = 0			DRAWING SIZE	THIRD ANGLE PROJECTION
▽ = 0	▽ = 0			C	
C1		SERIES		PRODUCT CUSTOMER DRAWING	
		84506		845060001	
		DOCUMENT NUMBER		CUSTOMER	
		SD-84506-001		GENERAL MARKET	
		DOC TYPE		SHEET NUMBER	
		PSD		001 1 OF 2	

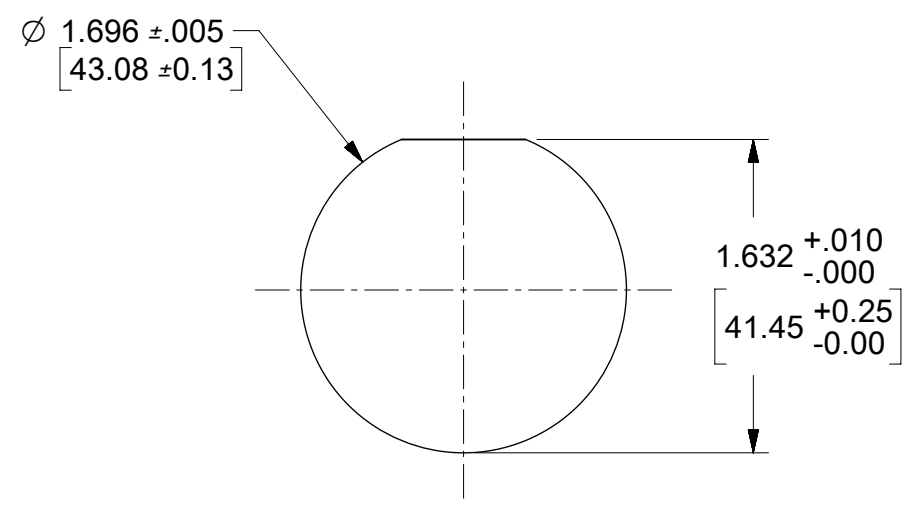
MATERIAL NUMBER	WIRE AWG	INSULATION O.D.	RING
845060003	18 - 14	.053 - .134 [1.35 - 3.40]	EXTENDED LIP BLACK

LARGE POLARIZING KEYWAY INDICATOR

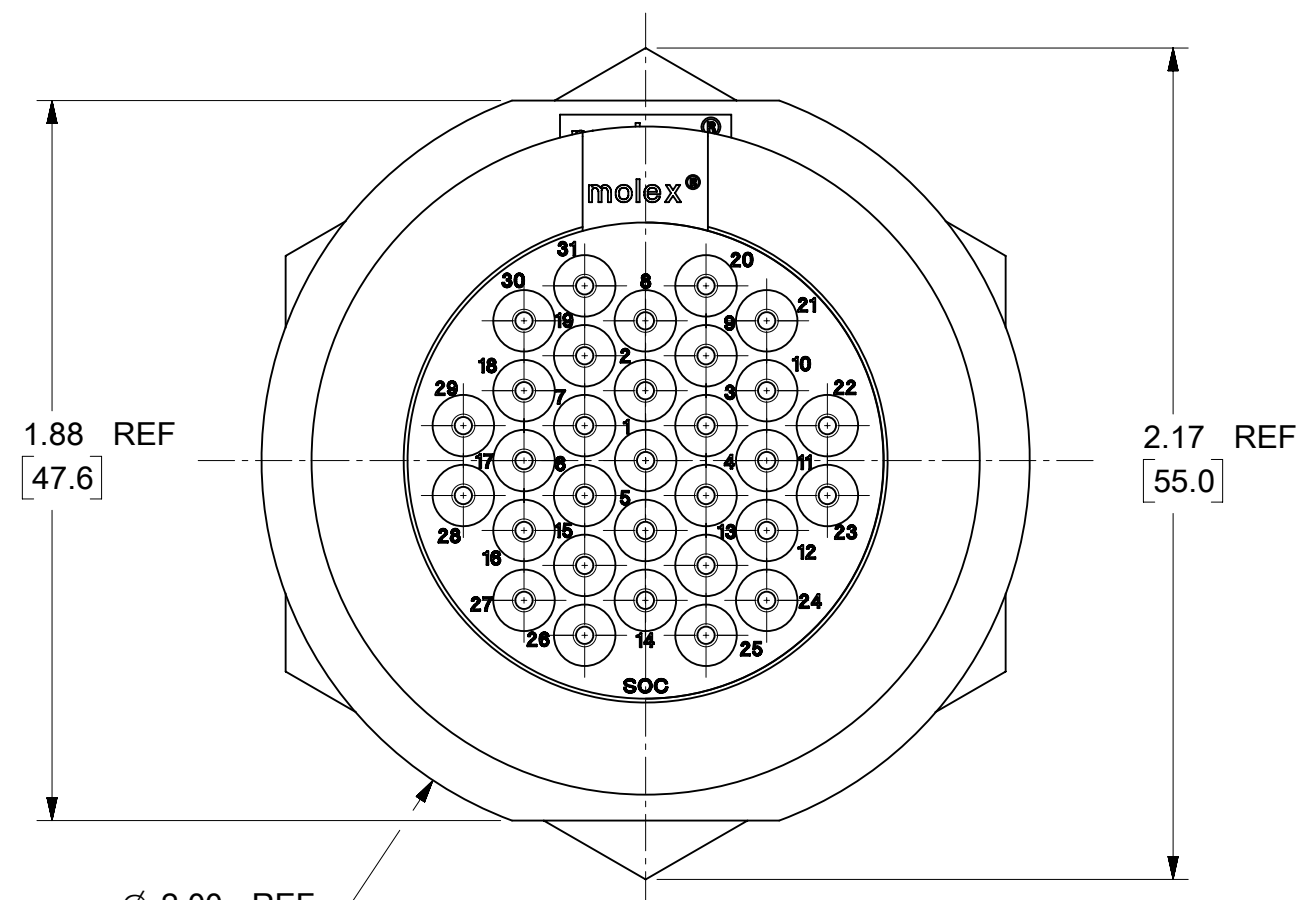


SCALE 1:1

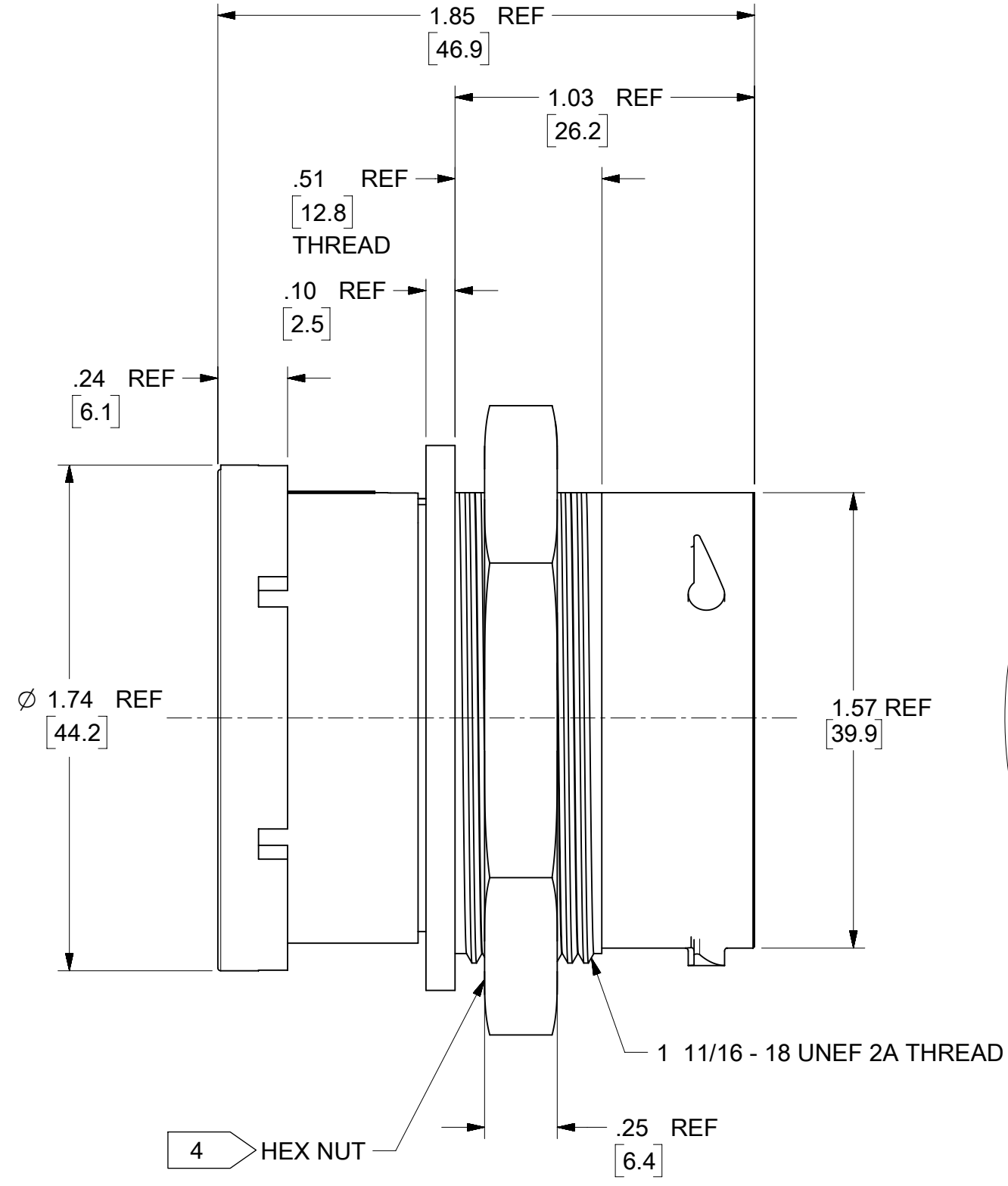
EXTENDED LIP BLACK RING



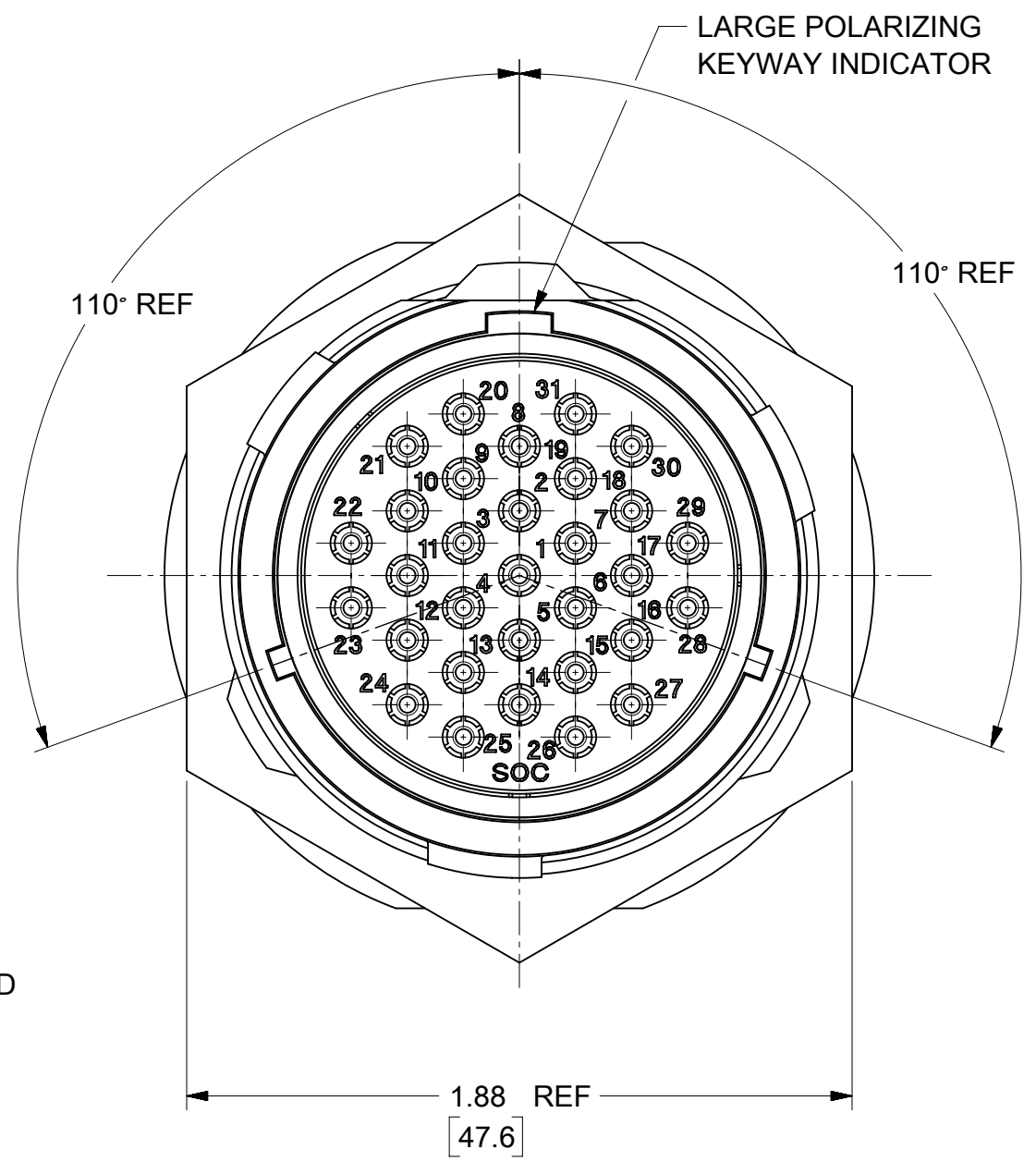
RECOMMENDED MOUNTING HOLE



WIRE ENTRY VIEW



4 HEX NUT



LARGE POLARIZING KEYWAY INDICATOR

- NOTES:
- RECOMMENDED PANEL THICKNESS .062[1.58] TO .187[4.75].
 - USE CONNECTOR WITH FEMALE CRIMP TERMINAL SERIES 84525.
 - MATES WITH PLUG CONNECTOR SERIES 84505.
 - HEX NUT SOLD SEPARATELY, MOLEX MATERIAL NUMBER 84506-0012.
 - USE CONNECTOR WITH STRAIN RELIEF BACKSHELL, MOLEX MATERIAL NO. 84537-0003.
 - ASSEMBLY IS ROHS COMPLIANT.
 - PACKAGED PER PK-84501-001.

QUALITY SYMBOLS	THIS DRAWING CONTAINS INFORMATION THAT IS PROPRIETARY TO MOLEX ELECTRONIC TECHNOLOGIES, LLC AND SHOULD NOT BE USED WITHOUT WRITTEN PERMISSION			
	GENERAL TOLERANCES (UNLESS SPECIFIED)		DIMENSION UNITS	SCALE
▽ = 0	MM INCH		IN[MM]	2:1
▽ = 0	4 PLACES ± ±		DRWN BY	DATE
▽ = 0	3 PLACES ± ±		JPAWLICKI	2006/6/5
▽ = 0	2 PLACES ± ± 0.15		CHK'D BY	DATE
▽ = 0	1 PLACES ± 0.38 ±		JPAWLICKI	2006/6/6
▽ = 0	0 PLACES ± ±		APPR BY	DATE
▽ = 0	ANGULAR TOL = 2.0°		RDEROSS	2006/6/7
▽ = 0	DRAFT WHERE APPLICABLE MUST REMAIN WITHIN DIMENSIONS		DRAWING SIZE	THIRD ANGLE PROJECTION
▽ = 0	C1		C	
CAD MIGRATION		EC NO: 122085		SERIES
2017/09/04		DRWN: CRAODOREMS		84506
2017/10/03		CHKD: SMCGRVEY		MATERIAL NUMBER
2017/10/03		REV APPR: JDWALLACE		845060003
				CUSTOMER
				GENERAL MARKET
				DOCUMENT NUMBER
				SD-84506-001
				DOC TYPE
				PSD
				DOC PART
				001
				SHEET NUMBER
				2 OF 2