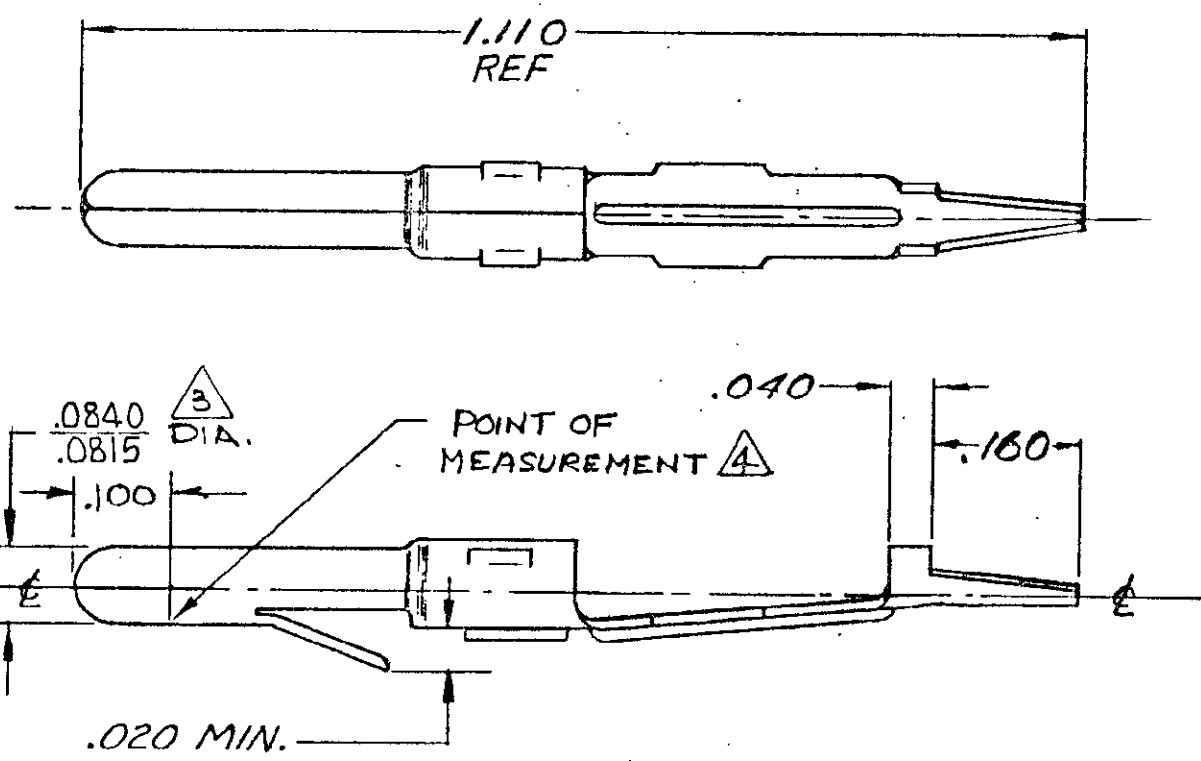


SHEET 1 OF 2
NUMBER
61518



1. TERMINAL SUPPLIED IN INDIVIDUAL FORM, NOT AS CONTINUOUS STRIP.
 2. PARTS COMPLY WITH AMP SOLDERABILITY SPEC 109-11-3
- 3 .0815/.0845 DIA OVER .200 MIN. LENGTH.
4 .000030 GOLD OVER .000050 NICKEL.

PART NO.	MATERIAL & FINISH
61518-1	.012 PHOS. BRZ PRE-TIN

DIMENSIONS IN INCHES. DO NOT SCALE PRINT.

©1969 BY AMP INCORPORATED, ALL RIGHTS RESERVED. AMP PRODUCTS COVERED BY PATENTS AND/OR PATENTS PENDING.
MATERIAL AND FINISH

CUSTOMER COPY
REFERENCE ONLY

SEE TABLE



AMP INCORPORATED
HARRISBURG, PENNA.

CLASS

R	REV PER EC 0730-0142-94	RV	RS	3/15/69
TR	REVISION RECORD	ECN	CR	DATE

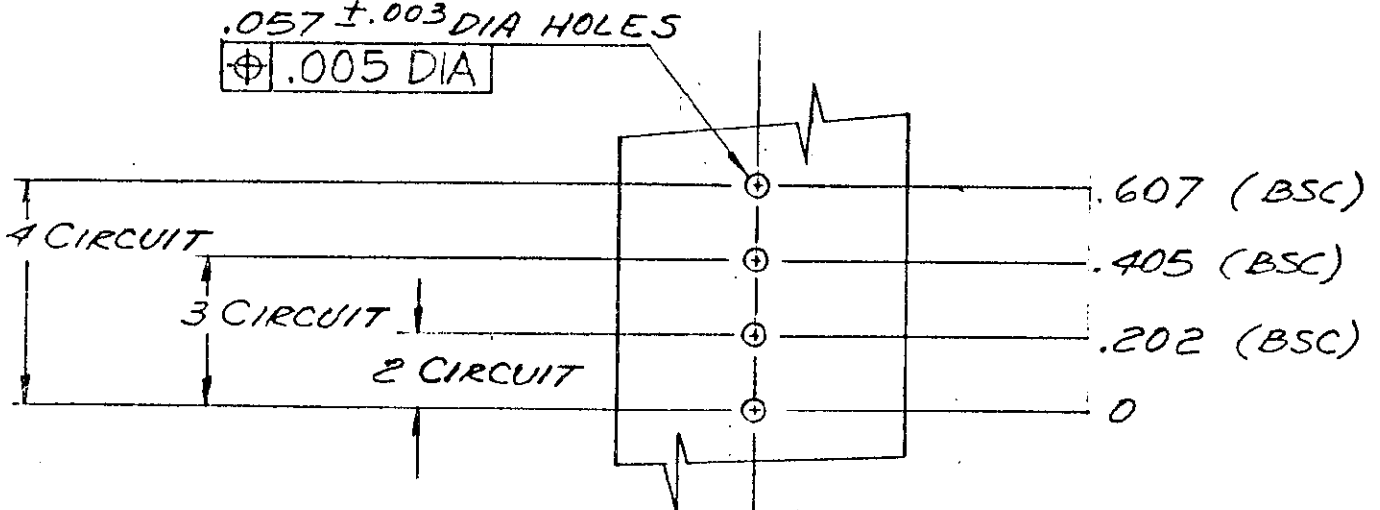
WIRE — RANGE — INSULATION TYPE
~~—H—~~ ~~—H—~~ ~~—H—~~
 TOLERANCE EXCEPT AS NOTED ± .015 ± 1° 0'

SCALE 5x
 NO. SHEET 1 OF 2
 61518

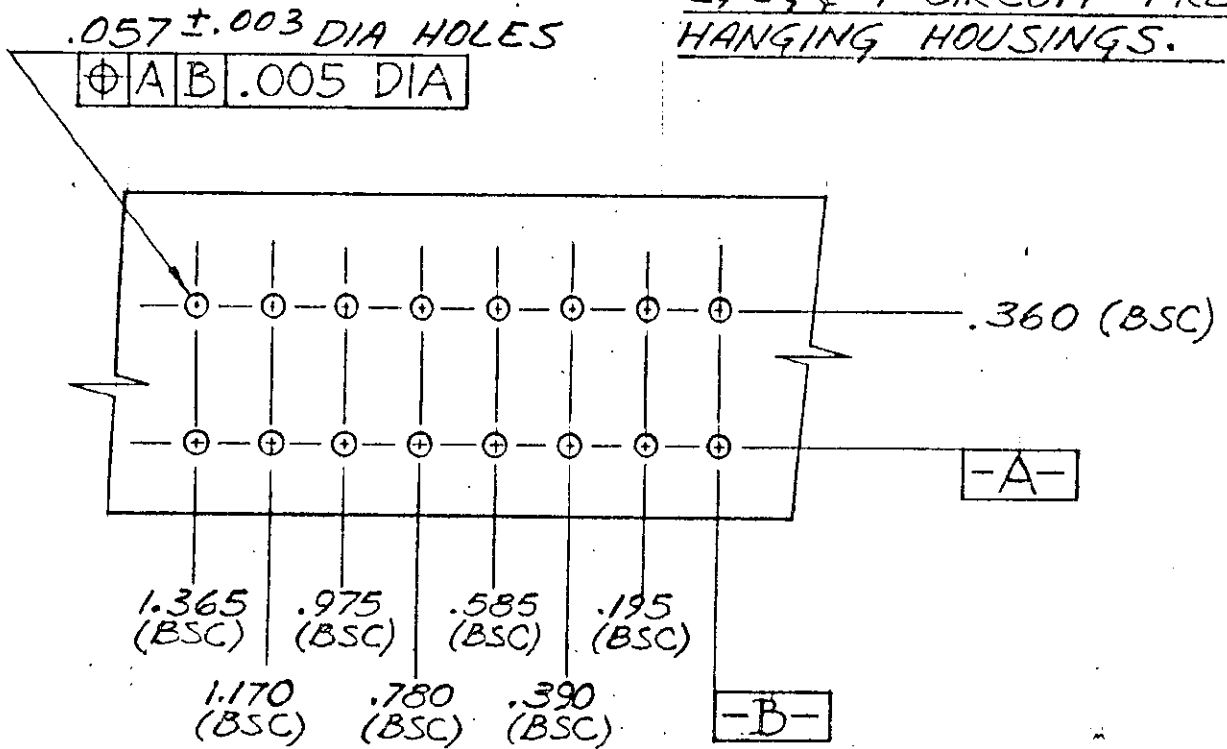
DR **JIM KUNKLE**
 CHK *[Signature]*
 53

NAME **MATE-N-LOK PIN WITH P.C. BOARD TAB**

SHEET 2 OF 2
 NUMBER
 61518



P.C. BOARD LAYOUT FOR
2, 3, & 4 CIRCUIT FREE-
HANGING HOUSINGS.



P.C. BOARD LAYOUT FOR
6, 8, 10, 12, & 16 CIRCUIT
MOTOR MOUNT HOUSINGS.

DIMENSIONS IN INCHES. DO NOT SCALE PRINT.

PRINTED BY
 53

©1970 BY AMP INCORPORATED. ALL RIGHTS RESERVED. AMP PRODUCTS COVERED BY PATENTS AND/OR PATENTS PENDING MATERIAL AND FINISH

CUSTOMER COPY
REFERENCE ONLY



AMP INCORPORATED
HARRISBURG, PENNA.

CLASS — # —

WIRE — RANGE — INSULATION TYPE — # —

SEE SHEET 1

TOLE P NCE EXCEPT SCALE LOC NO SHEET 2 OF 2 INCH

± .015 ± 1.0' C-1 CH 61518 1R

NAME RECOMMENDED HOLE LOCATIONS

FOR MOUNTING MATE-N-LOK HOUSINGS