

# TMC 7 B1 TERM - Terminal adapter



1022233

<https://www.phoenixcontact.com/us/products/1022233>

Please be informed that the data shown in this PDF document is generated from our online catalog. Please find the complete data in the user documentation. Our general terms of use for downloads are valid.



Feeder terminal adapter for TMC 71 circuit breakers, single-phase bus bars. Rated for 1000 V AC/DC, 115 A. Wire range 10...1/0 AWG. UL 508 Listed for connection to UL 1077 rated circuit breakers.

## Product description

Feed-in terminal adapter for TMC 7 single-pos. bus bars

## Commercial data

Item number	1022233
Packing unit	1 pc
Sales key	CL09
Product key	CLA126
GTIN	4055626516004
Weight per piece (including packing)	26.34 g
Weight per piece (excluding packing)	26.34 g
Country of origin	DE

# TMC 7 B1 TERM - Terminal adapter



1022233

<https://www.phoenixcontact.com/us/products/1022233>

## Technical data

### Product properties

Type	Adapter
------	---------

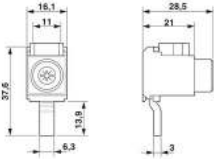
### Electrical properties

Number of phases	1
Rated voltage (III/3)	1000 V AC/DC

### Connection data

Tightening torque, min	5.65 Nm
------------------------	---------

### Dimensions

Dimensional drawing	
Width	16.1 mm
Height	28.5 mm

# TMC 7 B1 TERM - Terminal adapter

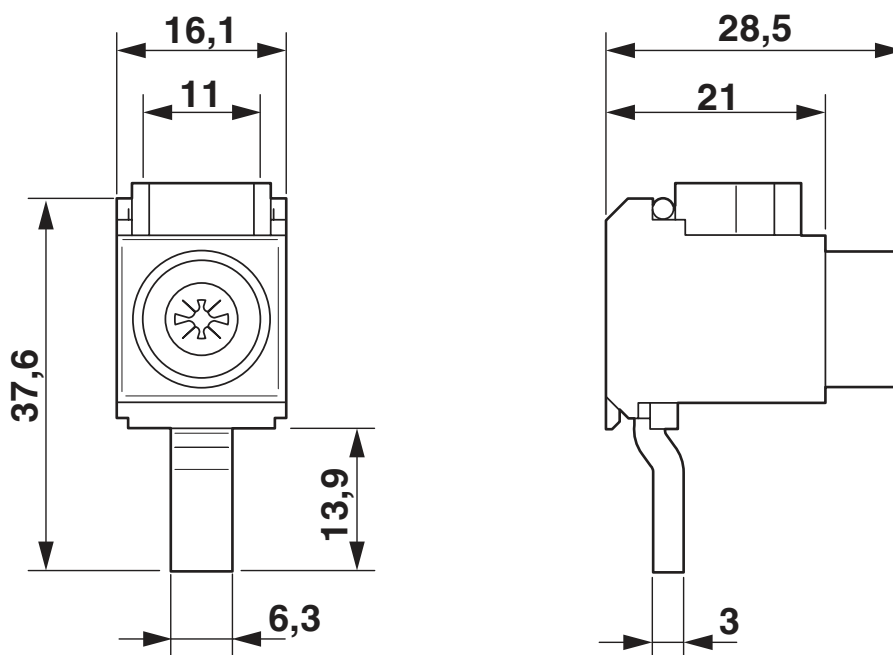
1022233

<https://www.phoenixcontact.com/us/products/1022233>



## Drawings

Dimensional drawing



# TMC 7 B1 TERM - Terminal adapter



1022233

<https://www.phoenixcontact.com/us/products/1022233>

## Approvals

To download certificates, visit the product detail page: <https://www.phoenixcontact.com/us/products/1022233>



**UL Listed**

Approval ID: FILE E 123528



**cUL Listed**

Approval ID: FILE E 123528

**cULus Listed**

# TMC 7 B1 TERM - Terminal adapter



1022233

<https://www.phoenixcontact.com/us/products/1022233>

## Classifications

### ECLASS

ECLASS-11.0	27144037
ECLASS-12.0	27144037
ECLASS-13.0	27144037

Phoenix Contact 2023 © - all rights reserved

<https://www.phoenixcontact.com>

Phoenix Contact USA  
586 Fulling Mill Road  
Middletown, PA 17057, United States  
(+717) 944-1300  
[info@phoenixcon.com](mailto:info@phoenixcon.com)