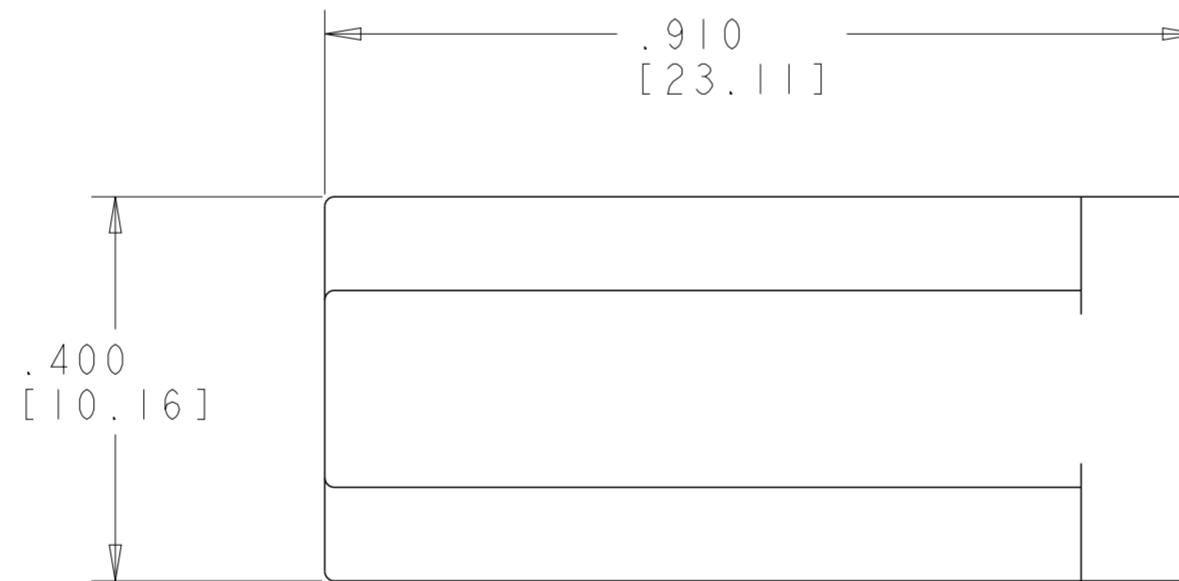
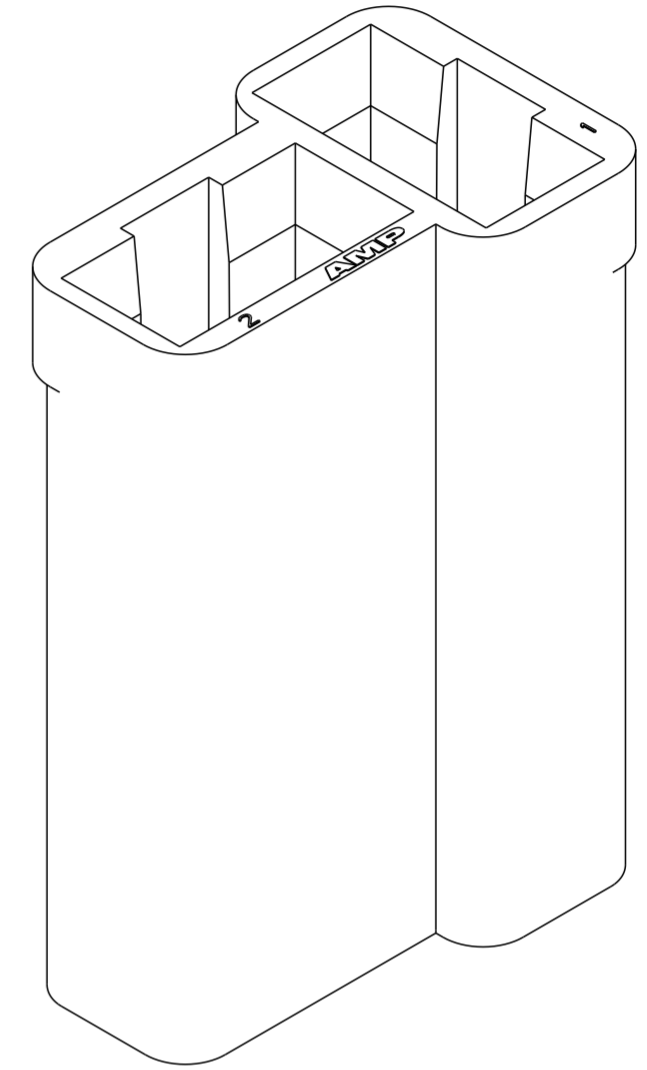
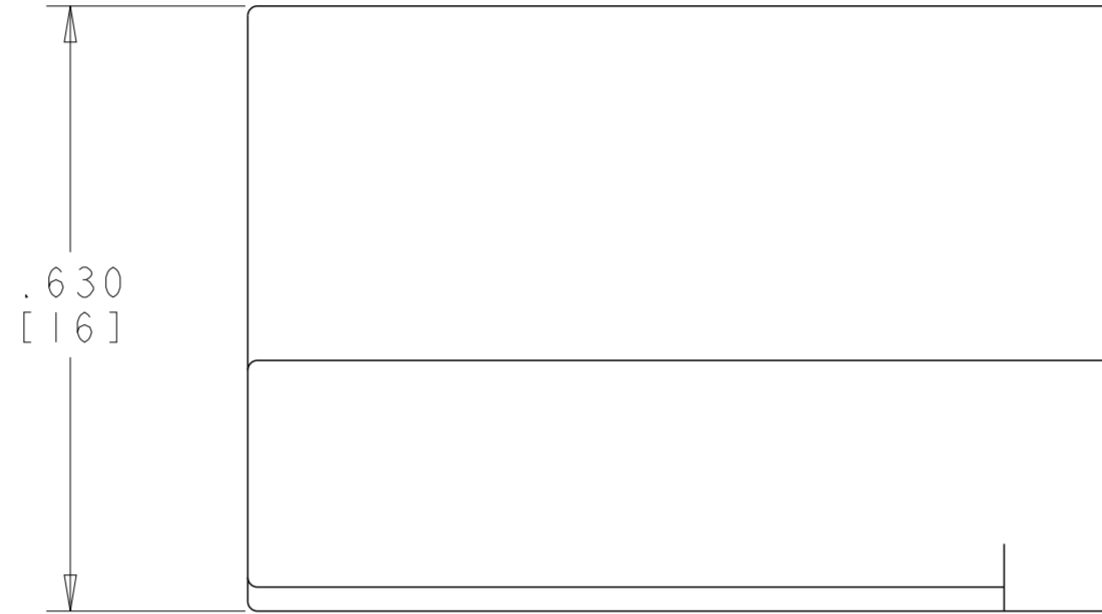
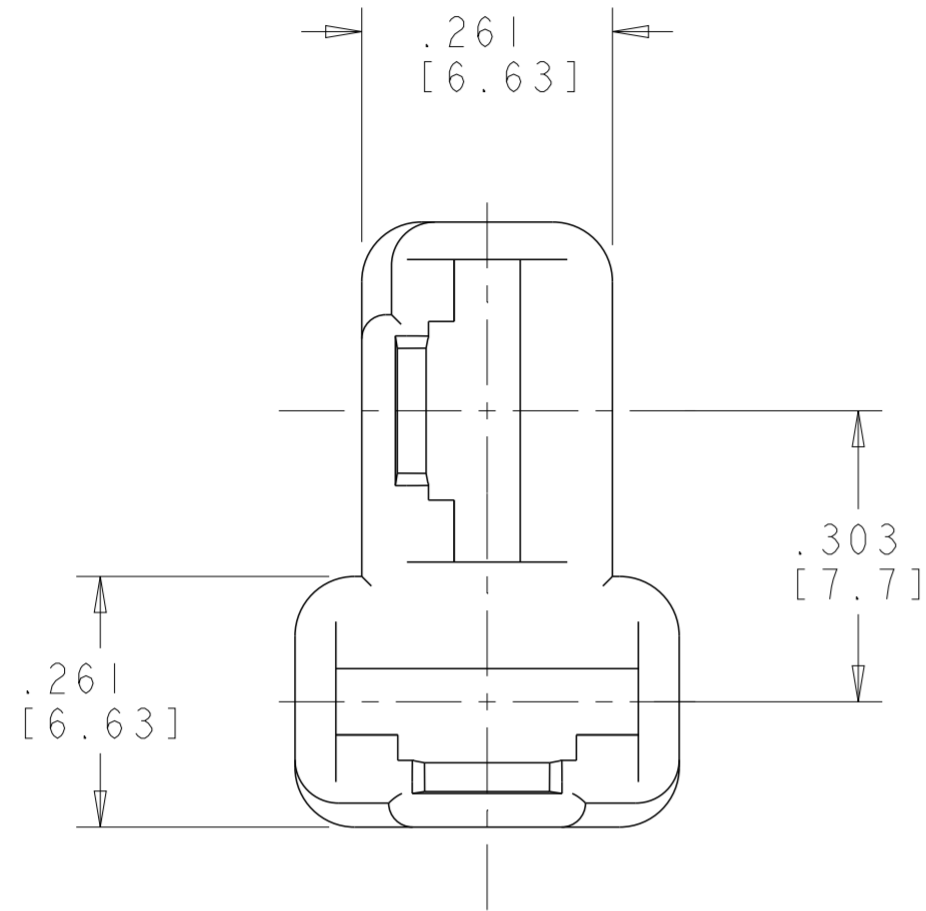


REVISIONS

P	LTR	DESCRIPTION	DATE	DWN	APVD
U		REV PER 0G3A-0824-03	01JUL2004	RCF	KY
V		REVISED PER 0G3A-0122-05	24FEB2005	MF	KR
VI		REVISED PER ECR-19-010751	22AUG2019	BDA	DS



1. ACCEPTS .250 FASTON 42281, 42904, 60249, 60634, 61127, 61041, AND 62733.

2 THIS PRODUCT HAS NOT COMPLETED VALIDATION TESTING

3 AGENCY CERTIFICATION PENDING

3	BLACK	NYLON V0	1-480115-1	2
	BLACK	NYLON	480115-3	
OBSOLETE	NATURAL	NYLON	480115-2	
OBSOLETE	BLACK	ABS	480115-1	
	COLOR	MATERIAL	PART NUMBER	

DIMENSIONS:		TOLERANCES UNLESS OTHERWISE SPECIFIED:		APVD		NAME	
INCHES [mm]		0 PLC	±	R FLAIG 14MAY2002		2 CIRCUIT T FASTIN-FASTON RECEPTACLE HOUSING	
		1 PLC	±	CHK N DEIBERT 14MAY2002			
		2 PLC	±	APVD N DEIBERT 14MAY2002			
		3 PLC	±.015[0.38]	PRODUCT SPEC			
		4 PLC	±	APPLICATION SPEC			
		ANGLES	±2°	WEIGHT		SIZE CAGE CODE DRAWING NO RESTRICTED TO	
		FINISH	-	CUSTOMER DRAWING		A200779 C-480115	
				SCALE 5:1		SHEET OF REV VI	

