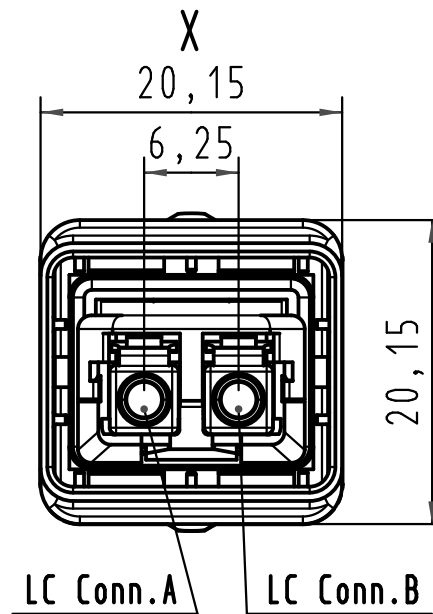
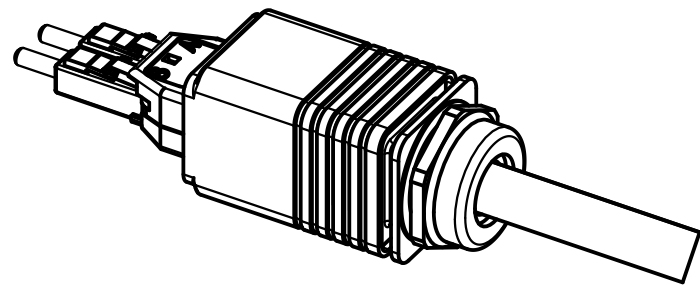
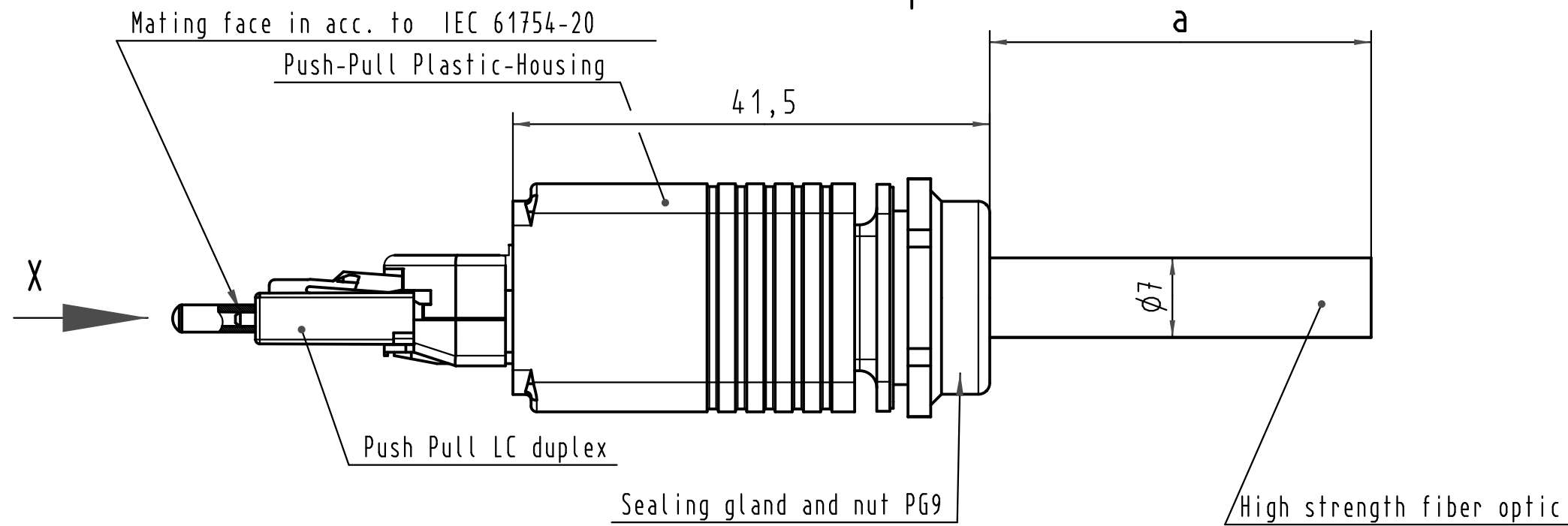


Alle Rechte vorbehalten/ All rights reserved



**Loading-Plan**

- A — blue
- B — orange

-Protection level: IP67/65  
 -Temperature range: -40°C ...+70°C

9	High strength fiber optic breakout cable multimode	33 58 111 300 0001	300 m
8	High strength fiber optic breakout cable multimode	33 58 111 100 0001	100 m
7	High strength fiber optic breakout cable multimode	33 58 111 060 0001	60 m
6	High strength fiber optic breakout cable multimode	33 58 111 050 0001	50 m
5	High strength fiber optic breakout cable multimode	33 58 111 040 0001	40 m
4	High strength fiber optic breakout cable multimode	33 58 111 020 0001	20 m
3	High strength fiber optic breakout cable multimode	33 58 111 010 0001	10 m
2	High strength fiber optic breakout cable multimode	33 58 111 005 0001	5 m
1	High strength fiber optic breakout cable multimode	33 58 111 001 0001	1 m

Cont No.	Type of cable	Part-No.	Dim. a
----------	---------------	----------	--------

All Dimensions in mm Original Size DIN A 3			Techn. Character.			Nicht tolerierte Maß/Free size tolerances		
			Dat.		Name	Maßstab/Scale		Push Pull fiber optic assembly 1xPush Pull LC DUPLEX, plastic multimode, 62.5 µm
			Detail.		MS	2:1		
			Insp.					
			Stand.					
EC00166			17.02.09	MR	HARTING Electronics GmbH & Co. KG			TB 33 58 111 xxx 0001 <span style="float: right;">Blatt/ page</span>
35025			10.11.08	MS	D-32339 ESPELKAMP			
35008								
Mod.	Dat.	Name				Sub.		Sub