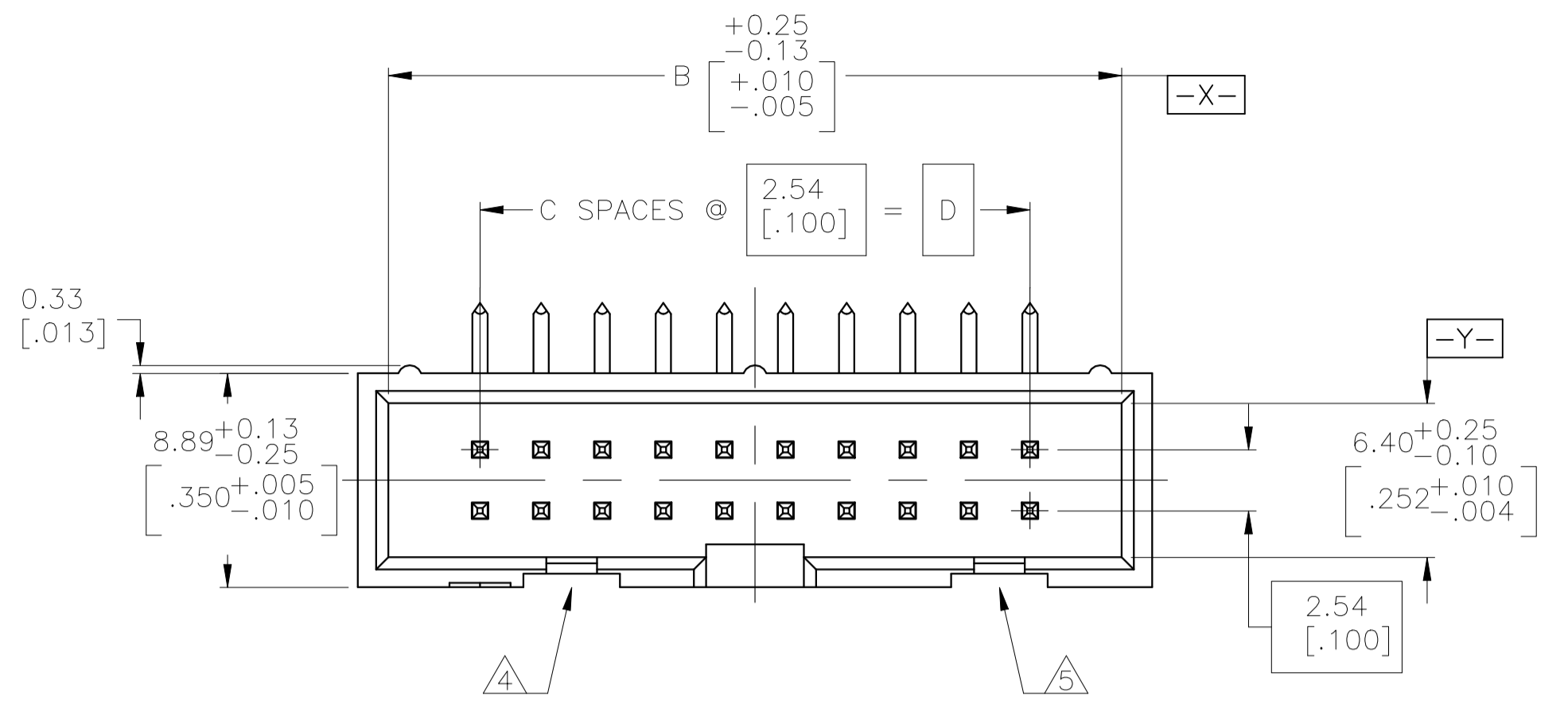
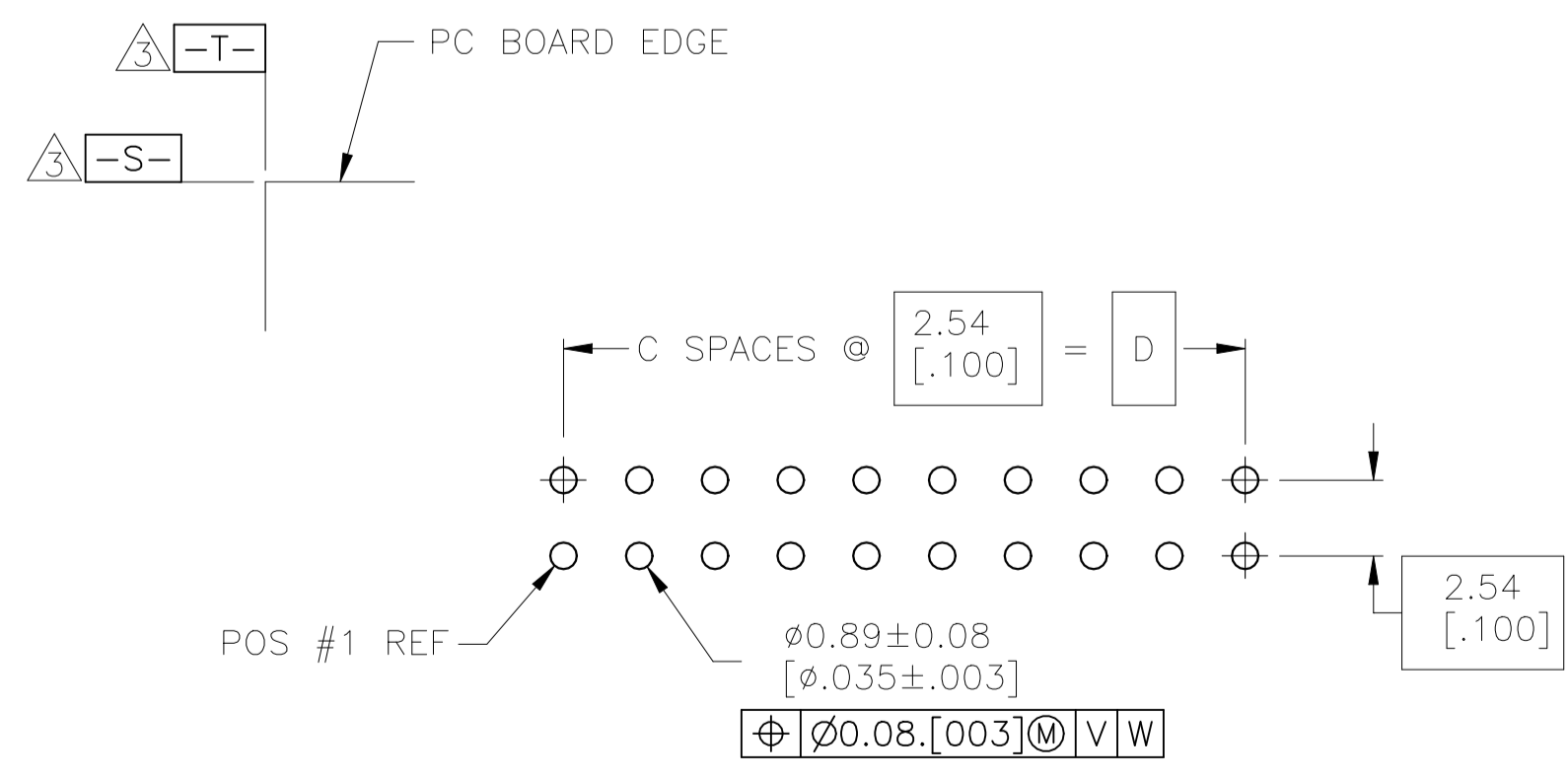
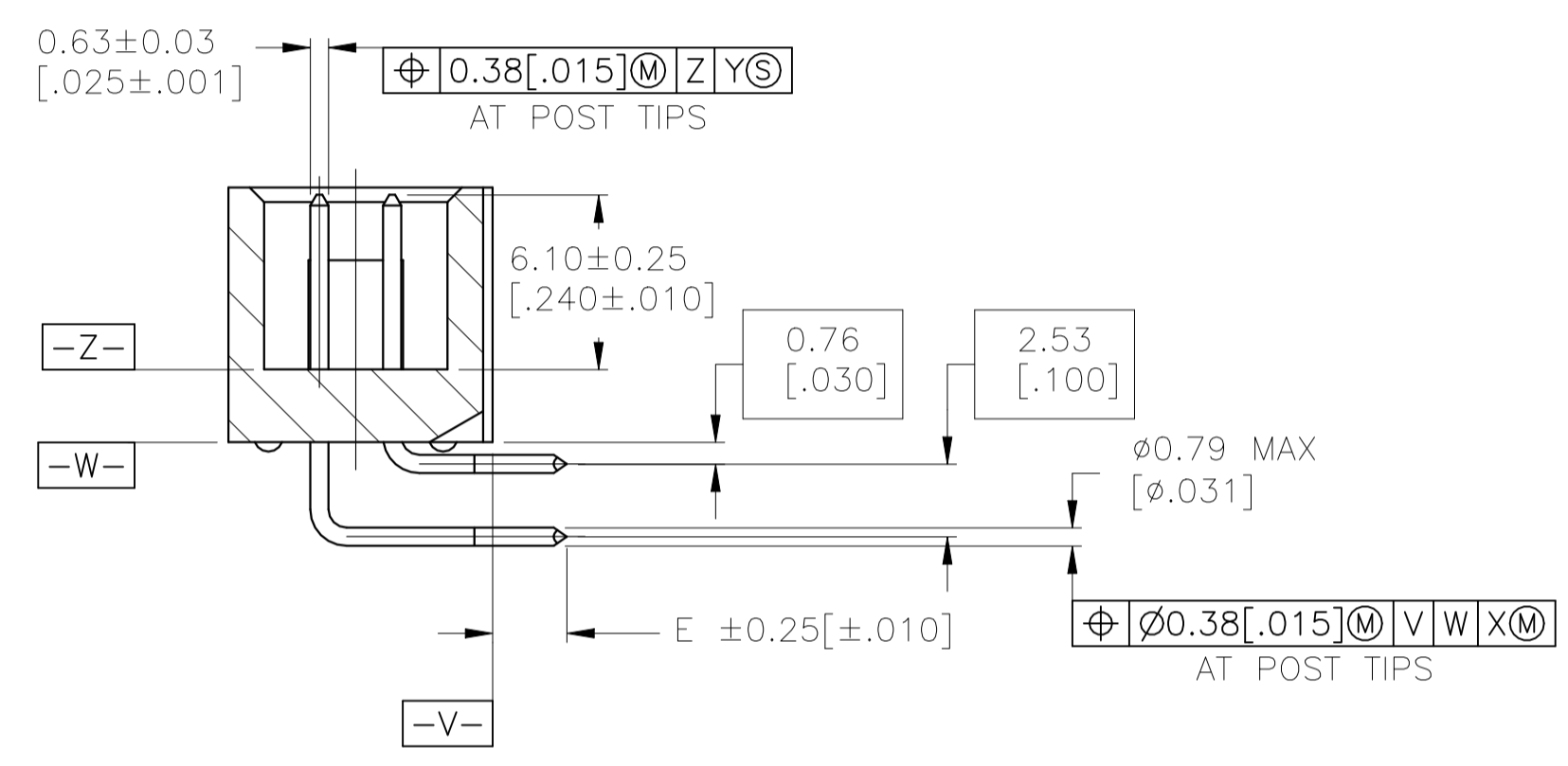
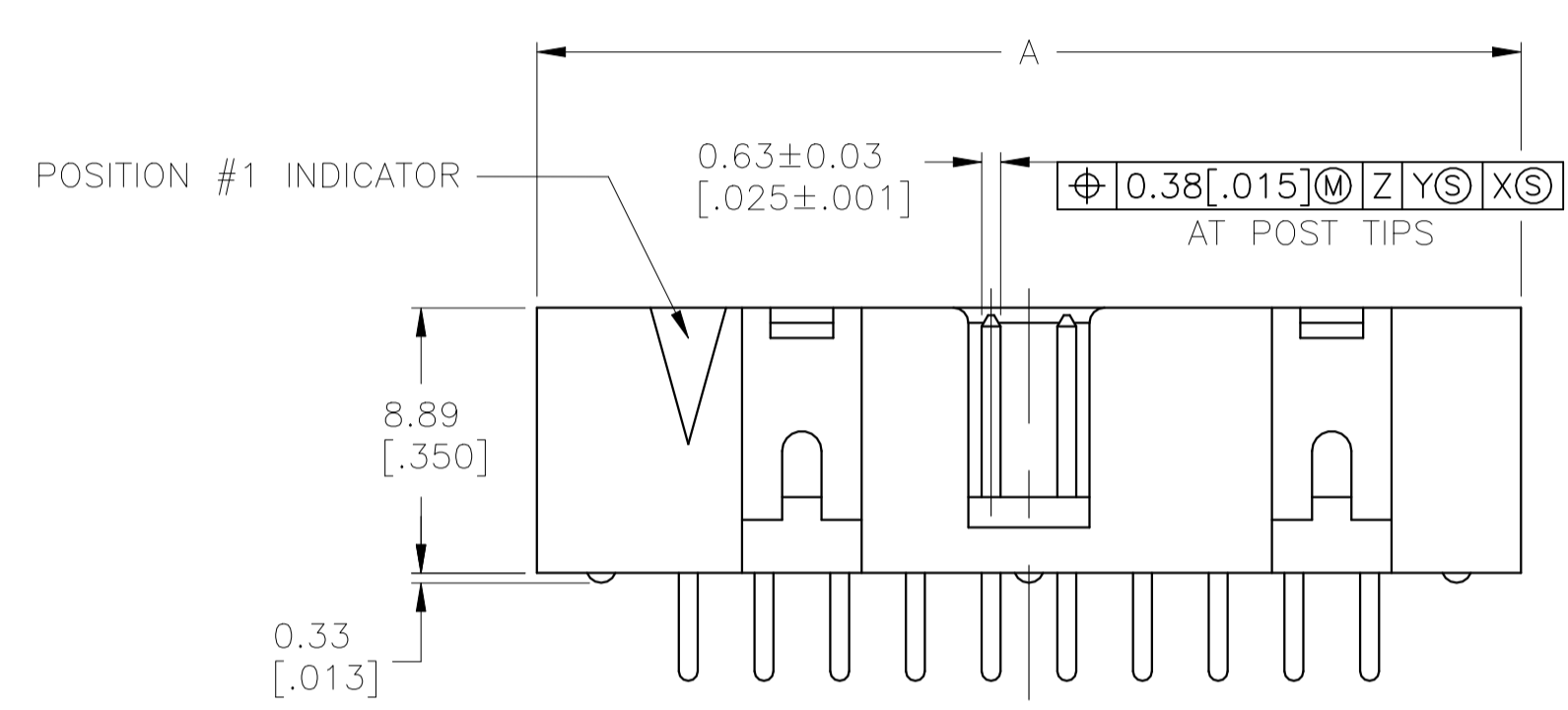


REVISIONS					
REV	DATE	BY	APP'D	DESCRIPTION	DATE
H3	24MAR2023	GC	WH	REVISED PER ECR-22-161539	



- △ HOUSING: PBT, UL94V-0, COLOR (SEE TABLE).
- △ POSTS: PHOSPHOR BRONZE/BRASS
- △ POSTS: 0.00076[.000030] MIN GOLD ON MATING AREA, 0.00254[.000100] MIN TIN ON SOLDER END, ALL OVER 0.00127[.000050] MIN NICKEL ON ENTIRE POST.
- △ DATUMS S & T TO BE ESTABLISHED BY CUSTOMER.
- △ NO KEYING SLOT ON THIS END FOR 6, 10, 12 & 14 POSITION ASSEMBLIES.
- △ NO KEYING SLOT ON THIS END FOR 6 & 10 POSITION ASSEMBLIES.



RECOMMENDED PC BOARD LAYOUT
(VIEWED FROM CONNECTOR SIDE)

REV	DESCRIPTION	DATE	BY	APP'D	DESCRIPTION	DATE	BY	APP'D
4.06	BLUE	10.16	4	17.78	20.32	10	4-1761605-0	
	BLUE	78.74	31	86.36	88.90	64	3-1761605-7	
	BLUE	60.96	24	68.58	71.12	50	3-1761605-5	
	BLUE	53.34	21	60.96	63.50	44	3-1761605-4	
	BLUE	48.26	19	55.88	58.42	40	3-1761605-3	
	BLUE	43.18	17	50.80	53.34	36	3-1761605-2	
	BLUE	40.64	16	48.26	50.80	34	3-1761605-1	
	BLUE	35.56	14	43.18	45.72	30	3-1761605-0	
	BLUE	30.48	12	38.10	40.64	26	2-1761605-9	
	BLUE	27.94	11	35.56	38.10	24	2-1761605-8	
	BLUE	22.86	9	30.48	33.02	20	2-1761605-7	
	BLUE	17.78	7	25.40	27.94	16	2-1761605-6	
	BLUE	15.24	6	22.86	25.40	14	2-1761605-5	
	BLUE	12.70	5	20.32	22.86	12	2-1761605-4	
	BLUE	10.16	4	17.78	20.32	10	2-1761605-3	
	BLUE	5.08	2	12.70	15.24	6	2-1761605-1	
OBSOLETE	BLACK	73.66	29	81.28	83.82	60	1-1761605-6	
OBSOLETE	BLACK	60.96	24	68.58	71.12	50	1-1761605-5	
OBSOLETE	BLACK	53.34	21	60.96	63.50	44	1-1761605-4	
OBSOLETE	BLACK	48.26	19	55.88	58.42	40	1-1761605-3	
OBSOLETE	BLACK	40.64	16	48.26	50.80	34	1-1761605-1	
OBSOLETE	BLACK	35.56	14	43.18	45.72	30	1-1761605-0	
OBSOLETE	BLACK	30.48	12	38.10	40.64	26	1761605-9	
OBSOLETE	BLACK	22.86	9	30.48	33.02	20	1761605-7	
OBSOLETE	BLACK	17.78	7	25.40	27.94	16	1761605-6	
OBSOLETE	BLACK	15.24	6	22.86	25.40	14	1761605-5	
OBSOLETE	BLACK	10.16	4	17.78	20.32	10	1761605-3	
E	HOUSING COLOR	D	C	B	A	NO OF POS	PART NUMBER	

THIS DRAWING IS A CONTROLLED DOCUMENT.

DIMENSIONS: mm [INCHES]	TOLERANCES UNLESS OTHERWISE SPECIFIED:	DIN J. GERACE 11FEB05	11FEB05	 TE Connectivity
0. PLC ± -	1. PLC ± -	2. PLC ± -	3. PLC ± 0.13[.005]	
MATERIAL	FINISH	APPROVED: M. WALMSLEY 11FEB05	NAME	HEADLINE: HEADER ASSEMBLY, RIGHT ANGLE, LOW PROFILE, IDC PRODUCT SPEC: - APPLICATION SPEC: - SIZE: A1 CAGE CODE: 00779 DRAWING NO: 1761605 WEIGHT: 0.000000 CUSTOMER DRAWING: - SCALE: 4:1 SHEET: 1 of 1 REV: H3

**COPYRIGHT 2005
TE CONNECTIVITY CORP
ALL RIGHTS RESERVED**