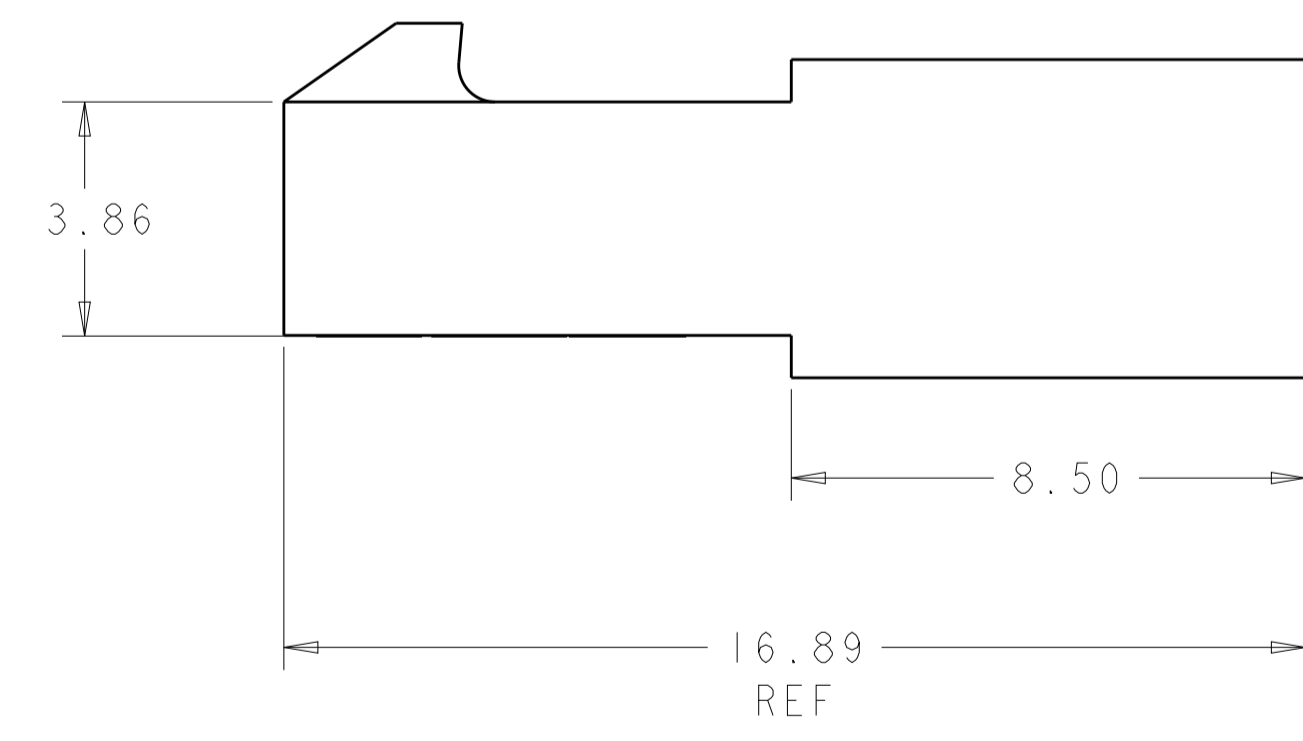
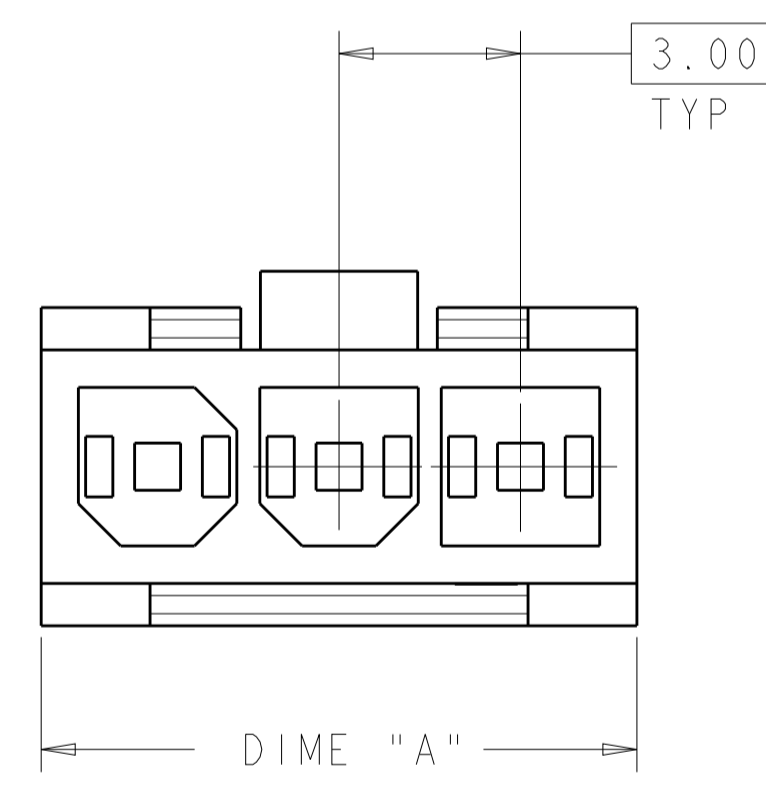
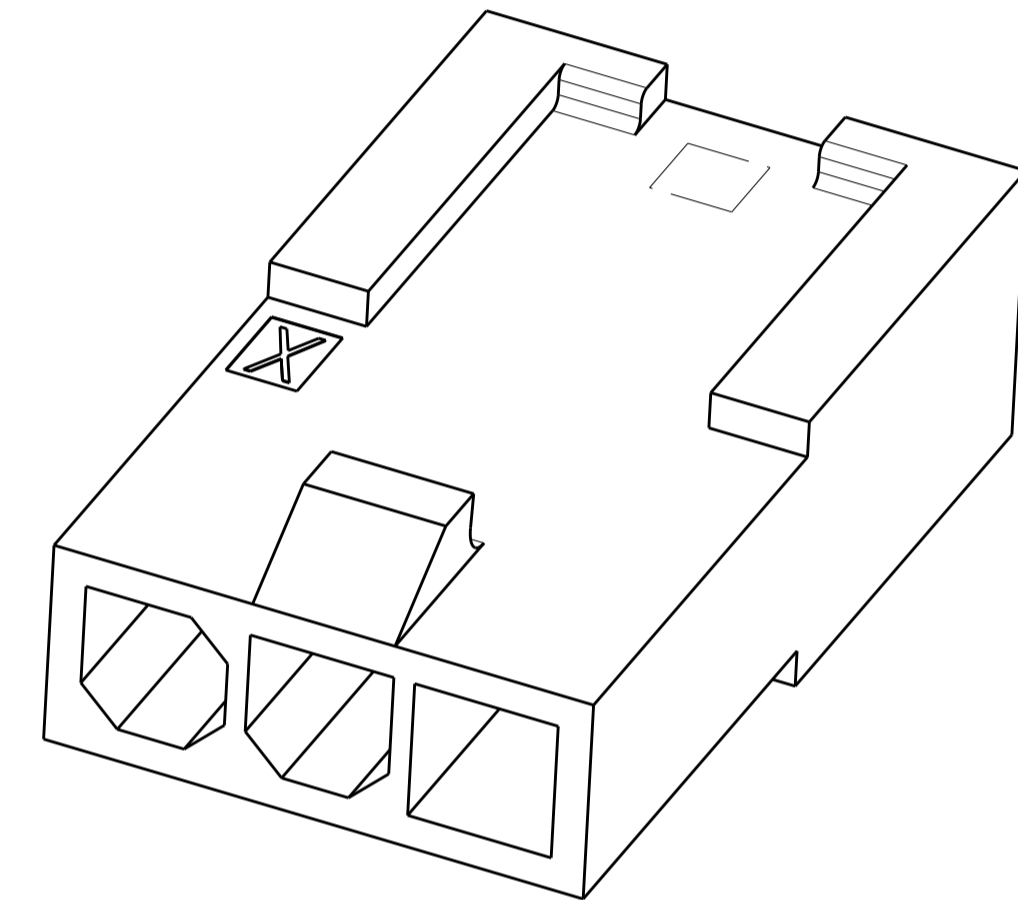
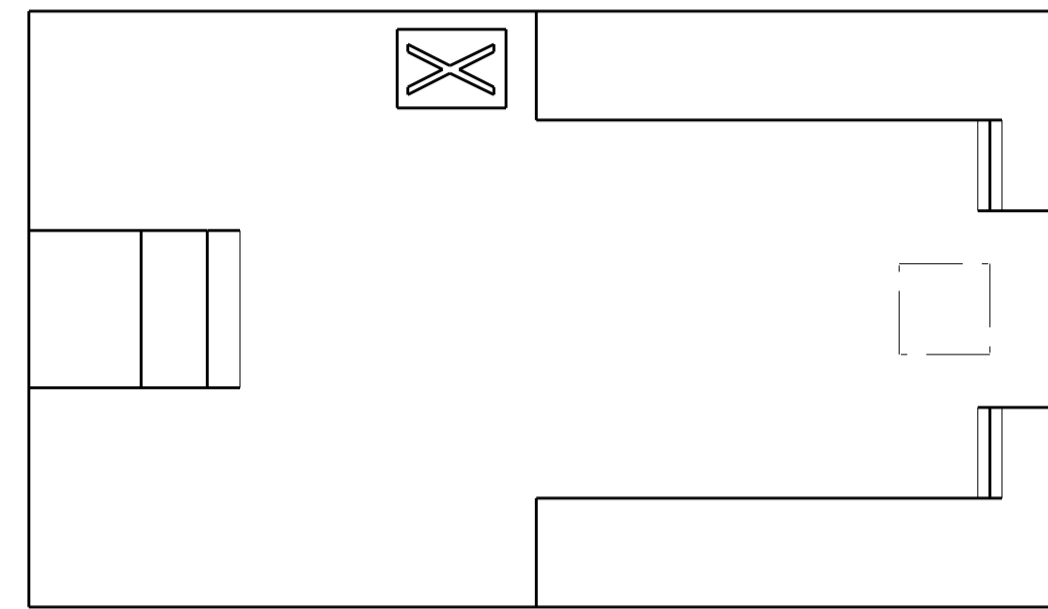


REVISIONS				
P.	LTN	DESCRIPTION	DATE	APPROV
A1		REVISED PER ECR-18-007792	21MAY2018	JB DZ
B		REVISED PER ECR-18-014008	04SEP2018	JB DZ

△ MATERIAL PA66 UL94-V0, GW, COLOR-NATURAL



UL94-V0 GWT △	12.85	4	2315785-4
	9.85	3	2315785-3
	6.85	2	2315785-2
MATERIAL	DIM "A"	NO. OF POSITIONS	PART NUMBER

THIS DRAWING IS A CONTROLLED DOCUMENT.		OWN: BASAVARAJA D A 02MAR2018	TE Connectivity
DIMENSIONS: mm		CHK: JYOTIRMAYA 02MAR2018	
TOLERANCES UNLESS OTHERWISE SPECIFIED:		APPR: DANIEL ZHANG 02MAR2018	NAME: PLUG HOUSING, SINGLE ROW, FREE HANGING MICRO MATE-N-LOK
0 PLC ±		PRODUCT SPEC: 108-1836	
1 PLC ±0.13		APPLICATION SPEC: 114-13000	RESTRICTED TO:
2 PLC ±		WEIGHT: -	SIZE: A1
3 PLC ±		CUSTOMER DRAWING	CAGE CODE: 00779
4 PLC ±		SCALE: 8:1	DRAWING NO: 2315785
ANGLES		SHEET: 1	REV: B
FINISH		OF: 1	