

MATERIALS AND FINISHES:

BODY: ZINC ALLOY
PLATED NICKEL

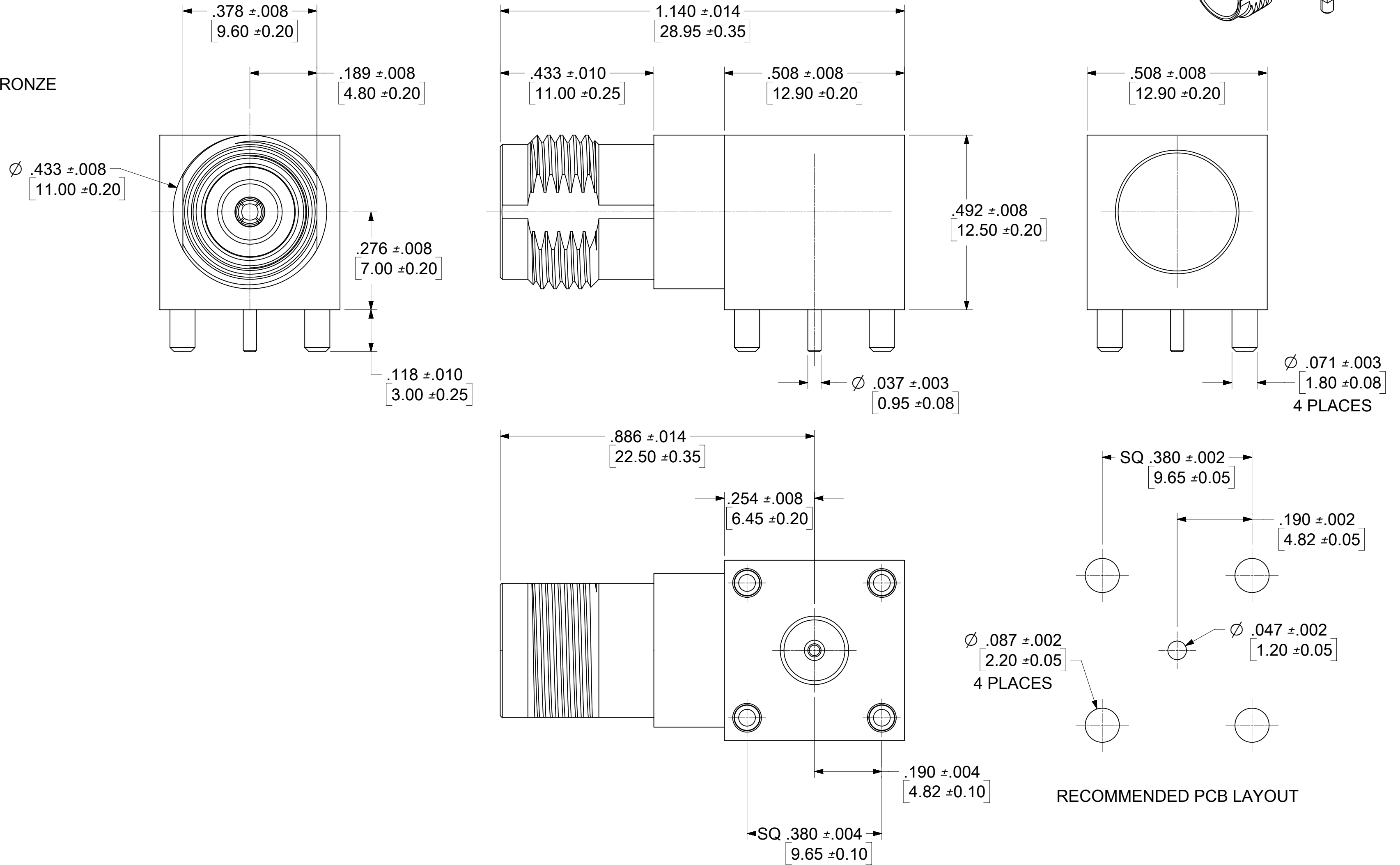
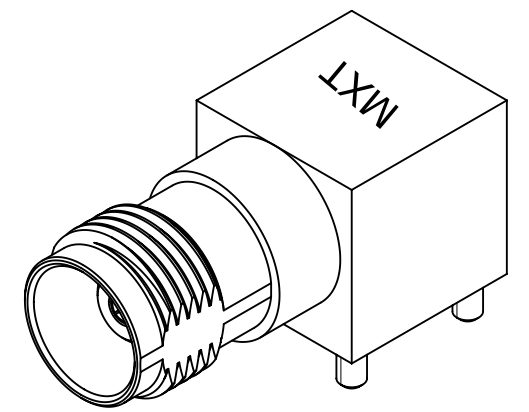
RING: BRASS
PLATED NICKEL

LEGS: BRASS
PLATED TIN

CONTACT FRONT: PHOSPHOR BRONZE
PLATED GOLD

CONTACT REAR: BRASS
PLATED GOLD

INSULATOR: TEFLON



RECOMMENDED PCB LAYOUT

73216-2710	73100-0135 ; ONE PER BAG WITH LABEL
73100-0135	TRAY
PART NO.	PACKAGING

PS-89675-1400	PRODUCT SPECIFICATION
MIL-STD-346A, FIG. 313.2	INTERFACE
SPECIFICATION	DESCRIPTION

REV	DATE	DESCRIPTION
A2	2020/4/23	ADD TOLERANCE PER EWR #13763-A

THIS DRAWING CONTAINS INFORMATION THAT IS PROPRIETARY TO MOLEX ELECTRONIC TECHNOLOGIES, LLC AND SHOULD NOT BE USED WITHOUT WRITTEN PERMISSION

DIMENSION UNITS	SCALE	CURRENT REV DESC:	molex		
INCH/MM	NTS				
GENERAL TOLERANCES (UNLESS SPECIFIED)			TNC JACK RA PCB TH 50 OHM TNC-J/PCB		
ANGULAR TOL	± 2.0°	EC NO: 636691	PRODUCT CUSTOMER DRAWING		
4 PLACES	±	DRWN: RYEH 2020/04/23	DOCUMENT NUMBER		
3 PLACES	±	CHK'D: YCHENG 2020/04/30	SD-73100-0135		
2 PLACES	±	APPR: YCHENG 2020/04/30	DOC TYPE		
1 PLACE	±	INITIAL REVISION:	PSD		
0 PLACES	±	DRWN: AROBERTSON 2011/03/31	001		
DRAFT WHERE APPLICABLE MUST REMAIN WITHIN DIMENSIONS			A3		
THIRD ANGLE PROJECTION			SHEET NUMBER		
DRAWING SERIES			1 OF 1		
C-SIZE 73100			MATERIAL NUMBER		
			SEE TABLE		
			CUSTOMER		
			GENERAL MARKET		

DOCUMENT STATUS	P1	RELEASE DATE	2020/04/30	09:39:32
-----------------	----	--------------	------------	----------

MATERIALS AND FINISHES

BODY, CAP: ZINC ALLOY
PLATED NICKEL

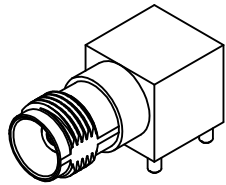
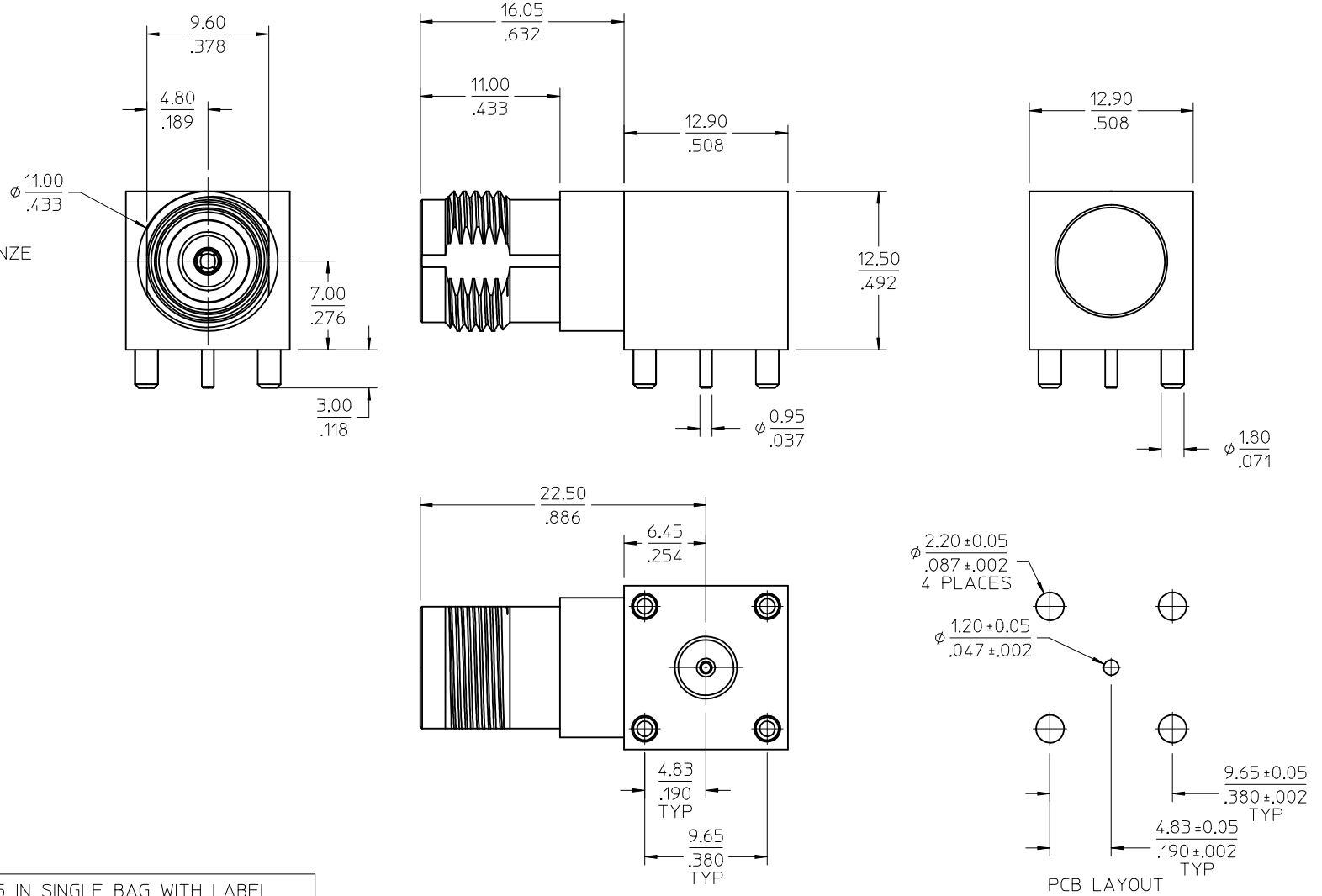
RING: BRASS
PLATED NICKEL

LEGS: BRASS
PLATED TIN

CONTACT FRONT: PHOSPHOR BRONZE
PLATED GOLD

CONTACT REAR: BRASS
PLATED GOLD

INSULATORS: TEFLON



73216-2710	1 PIECE 73100-0135 IN SINGLE BAG WITH LABEL
73100-0135	STANDARD
PART NO.	PACKAGING

PS-89675-1400	PRODUCT SPECIFICATION
MIL-STD-348A, FIG. 313.2	INTERFACE
SPECIFICATION	DESCRIPTION

CHG: CAP MATERIAL WAS BRASS.	EC NO: URF2015-0552	2015/04/07
	DRWN: AROBERTSON	2015/04/07
	CHKD: SSS	2015/04/07
	APPR: AROBERTSON	2015/04/10
REV	DESCRIPTION	
A1		

QUALITY SYMBOLS	▽=0
	▽=0

GENERAL TOLERANCES (UNLESS SPECIFIED)	MM	INCH
4 PLACES	± .005	± .0002
3 PLACES	± .005	± .0002
2 PLACES	± .005	± .0002
1 PLACE	± .005	± .0002
ANGULAR ± 2°		
DRAFT WHERE APPLICABLE MUST REMAIN WITHIN DIMENSIONS		

DIMENSION STYLE		SCALE	DESIGN UNITS
MM/IN			METRIC
DRAWN BY	DATE	TITLE	
AROBERTSON	2011/04/01	TNC JACK RA PCB TH 50 OHM TNC-J/PCB, EWR-4676	
CHECKED BY	DATE	MOLEX INCORPORATED	
SSS	2011/04/01		
APPROVED BY	DATE	MATERIAL NO.	
JWIENER	2011/04/04	SEE TABLE	
DOCUMENT NO.		SHEET NO.	
SD-73216-271		1 OF 1	

THIRD ANGLE PROJECTION			
MOLEX INCORPORATED			
THIS DRAWING CONTAINS INFORMATION THAT IS PROPRIETARY TO MOLEX INCORPORATED AND SHOULD NOT BE USED WITHOUT WRITTEN PERMISSION			