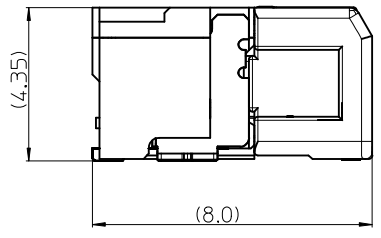
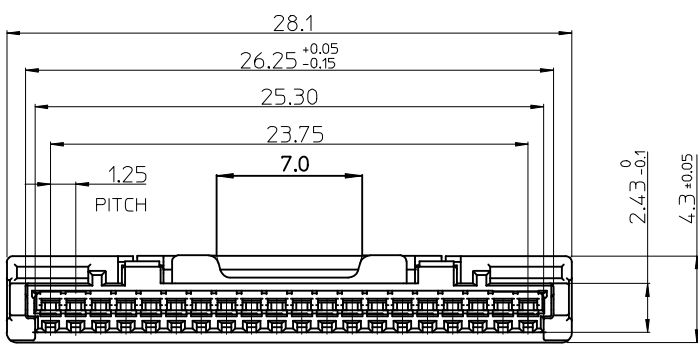
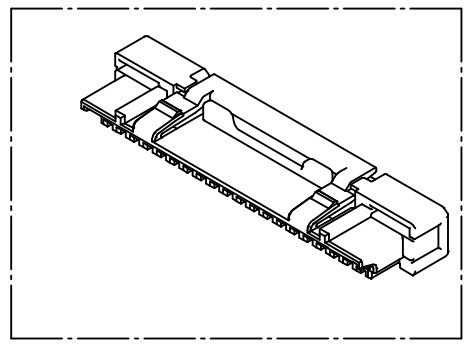
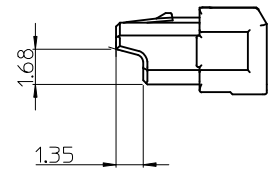


TERMINAL ASSEMBLY DRAWING
[REFERENCE]

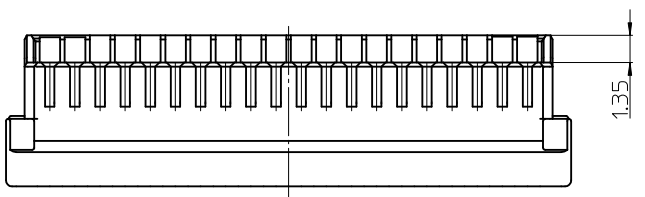
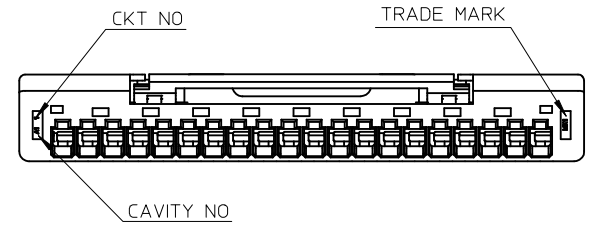


MATED WITH HEADER ASSEMBLY
[REFERENCE]



NOTES.

1. MATED WITH : 104091-2020
2. MATERIAL : LCP, VECTRA E471i
GLASS FILLED, UL94V-0
HALOGEN FREE, NATURAL COLOR
3. APPLICABLE TERMINAL : 104521-6001
4. PRODUCT SPECIFICATION : PS-104091-001



RELEASED
EC NO: KOR2012-0022
DRWN: JHPARK01 2011/09/23
CHKD:
APPR: YUNSIKKIM 2011/09/30

REV	DESCRIPTION
A	

QUALITY SYMBOLS	▽=0
	∇=0
	4 PLACES ± --- ± ---
	3 PLACES ± --- ± ---
	2 PLACES ± 0.15 ± ---
1 PLACE ± 0.2 ± ---	
ANGULAR ± 1 °	
DRAFT WHERE APPLICABLE MUST REMAIN WITHIN DIMENSIONS	

GENERAL TOLERANCES (UNLESS SPECIFIED)	
mm	INCH
4 PLACES ± --- ± ---	
3 PLACES ± --- ± ---	
2 PLACES ± 0.15 ± ---	
1 PLACE ± 0.2 ± ---	
ANGULAR ± 1 °	
DRAFT WHERE APPLICABLE MUST REMAIN WITHIN DIMENSIONS	

DIMENSION STYLE MM ONLY		SCALE 4:1	DESIGN UNITS METRIC	THIRD ANGLE PROJECTION
DRAWN BY JHPARK01	DATE 2011/09/23	TITLE 1.25 W-T-B CONN. PLUG HOUSING-20P		
CHECKED BY SHCHU	DATE 2011/09/23	MOLEX INCORPORATED		
APPROVED BY YUNSIKKIM	DATE 2011/09/30	DOCUMENT NO. SD-104092-004	SHEET NO. 1 OF 01	
MATERIAL NO. 1040922010		THIS DRAWING CONTAINS INFORMATION THAT IS PROPRIETARY TO MOLEX INCORPORATED AND SHOULD NOT BE USED WITHOUT WRITTEN PERMISSION		