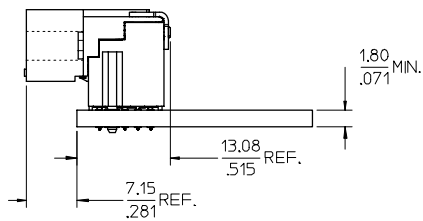
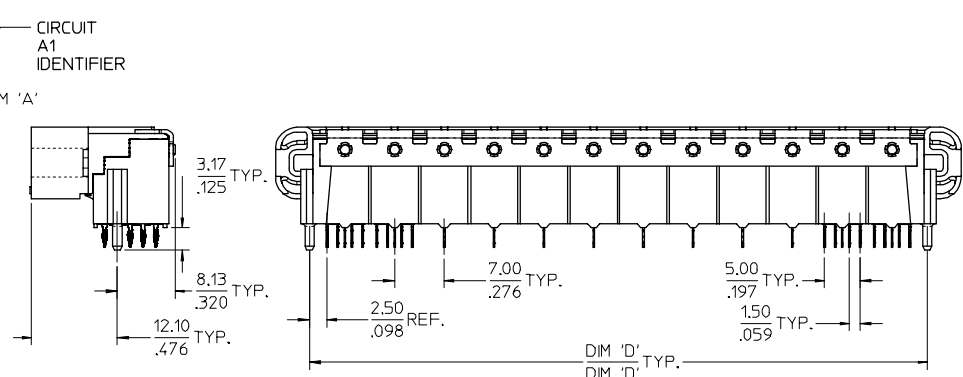
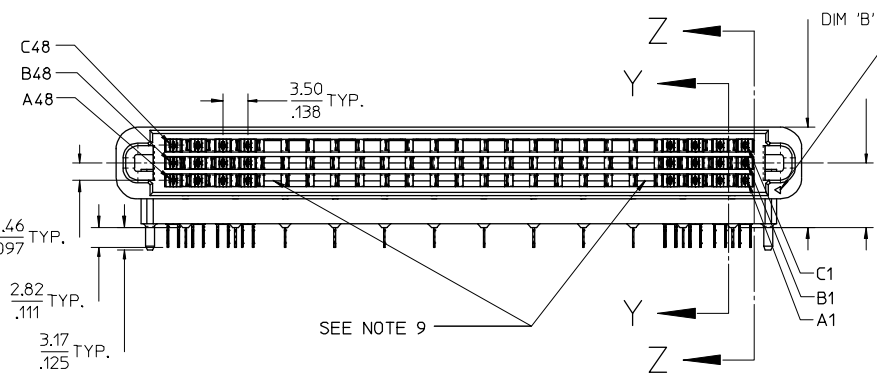
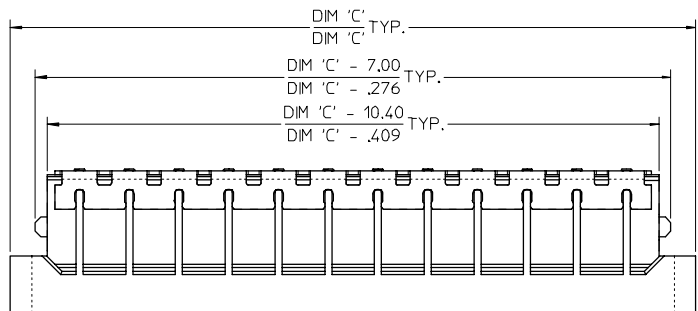
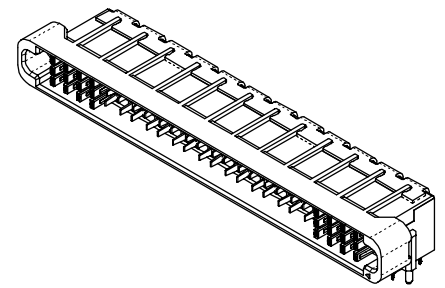


NOTES:

- 1) MATERIALS:
HOUSING - LIQUID CRYSTAL POLYMER, UL94 V-0
WAFER DIELECTRIC - LIQUID CRYSTAL POLYMER, UL94 V-0
CONTACT - TIN-BRASS
- 2) FINISHES:
CONTACT
0.76 MICRON MIN. SELECT GOLD AND
0.76 MICRON MIN. SELECT TIN/LEAD OVER
1.27 MICRON MIN. NICKEL OVERALL
HOUSING
0.10 MICRON MAX. IMMERSION GOLD OVER
3.81 MICRON MIN. NICKEL OVER
3.81 MICRON MIN. COPPER OVERALL
- 3) PRODUCT SPECIFICATION
THIS PART CONFORMS TO MOLEX SPECIFICATION PS-75018-001.
- 4) PACKAGING SPECIFICATION
THIS PART TO BE PACKAGED PER SPECIFICATION PK-75020-010.
- 5) APPLICATION SPECIFICATION
THIS PART TO BE APPLIED PER SPECIFICATION AS-75018-001.
- 6) MATING INFORMATION
THIS PART MATES WITH 75019-XXXX.
- 7) FOR CIRCUIT DESIGNATION SEE SHEET 3
- 8) FOR PCB INFORMATION SEE SHEET 3
- 9) CIRCUITS IN THIS ZONE HAVE BEEN OMITTED TO SIMPLIFY THE MODEL. ACTUAL PRODUCT IS FULLY LOADED WITH TERMINALS.
- 10) APPLICATION TOOLING KEEP OUT AREA.
NO COMPONENTS TALLER THAN 4.0mm ALLOWED IN THIS AREA.
- 11) USE APPLICATION TOOL NOTED IN CHART WHEN INSERTING INTO PCB.
- 12) CONFORMS TO MOLEX COSMETIC SPECIFICATION ES-75005-001.



EC NO: UCP2003-1292 DRWN: KLANG 2003/01/14 CHKD: 2003/01/15 APPR: MBANAKIS 2003/01/15	QUALITY SYMBOLS ▽ - 0 ◻ - 0	GENERAL TOLERANCES (UNLESS SPECIFIED)		SCALE 2:1	DESIGN UNITS METRIC	THIRD ANGLE PROJECTION	REVISE ON CAD ONLY		
			m/m	INCH	DIMENSION STYLE MM/IN		TITLE		
		4 PLACES ± --- ± ---	3 PLACES ± --- ± .005	2 PLACES ± 0.13 ± .01	1 PLACE ± 0.25 ± ---	DRAWN BY LANG	DATE 02-NOV-25	HIGH SPEED DOCKING FIXED CONNECTOR	
		ANGULAR ±1/2°				CHECKED BY LANG	DATE 02-NOV-26	MOLEX INCORPORATED	
1	DESCRIPTION	DRAFT WHERE APPLICABLE MUST REMAIN WITHIN DIMENSIONS		APPROVED BY BANAKIS	DATE 02-NOV-26	MATERIAL NO. SEE SHEET 2	DOCUMENT NO. SD-75018-010		
	REV			THIS DRAWING CONTAINS INFORMATION THAT IS PROPRIETARY TO MOLEX INCORPORATED AND SHOULD NOT BE USED WITHOUT WRITTEN PERMISSION		SHEET NO. 1 OF 3			

J
I
H
G
F
E
D
C
B
A

J
I
H
G
F
E
D
C
B
A

ITEM NUMBER	CIRCUIT SIZE	CENTERLINE DIMENSION 'A' mm(in)	O/A HEIGHT DIMENSION 'B' mm(in)	O/A LENGTH DIMENSION 'C' mm(in)	PEG TO PEG DIMENSION 'D' mm(in)	FIRST-LAST DIMENSION 'E' mm(in)	APPLICATION TOOLING ITEM NUMBER
75018-0001	144	4.74 (.187)	9.78 (.385)	96.50 (3.799)	87.00 (3.425)	82.00 (3.228)	62202-0225
NOT TOOLED	144	9.07 (.357)	14.11 (.555)	96.50 (3.799)	87.00 (3.425)	82.00 (3.228)	NOT TOOLED
75018-0003	144	5.74 (.226)	10.78 (.424)	96.50 (3.799)	87.00 (3.425)	82.00 (3.228)	62202-0225
NOT TOOLED	132	4.74 (.187)	9.78 (.385)	89.50 (3.524)	80.00 (3.150)	75.00 (2.953)	NOT TOOLED
75018-0006	120	4.74 (.187)	9.78 (.385)	82.50 (3.248)	73.00 (2.874)	68.00 (2.677)	NOT TOOLED
75018-0005	108	4.74 (.187)	9.78 (.385)	75.50 (2.972)	66.00 (2.598)	61.00 (2.402)	62202-0224
75018-0004	108	5.74 (.226)	10.78 (.424)	75.50 (2.972)	66.00 (2.598)	61.00 (2.402)	62202-0224
NOT TOOLED	96	4.74 (.187)	9.78 (.385)	68.50 (2.697)	59.00 (2.323)	54.00 (2.126)	NOT TOOLED
NOT TOOLED	84	4.74 (.187)	9.78 (.385)	61.50 (2.421)	52.00 (2.047)	47.00 (1.850)	NOT TOOLED
NOT TOOLED	72	4.74 (.187)	9.78 (.385)	54.50 (2.146)	45.00 (1.772)	40.00 (1.575)	NOT TOOLED
NOT TOOLED	60	4.74 (.187)	9.78 (.385)	47.50 (1.870)	38.00 (1.496)	33.00 (1.299)	NOT TOOLED
NOT TOOLED	48	4.74 (.187)	9.78 (.385)	40.50 (1.594)	31.00 (1.220)	26.00 (1.024)	NOT TOOLED
NOT TOOLED	36	4.74 (.187)	9.78 (.385)	33.50 (1.319)	24.00 (0.945)	19.00 (0.748)	NOT TOOLED

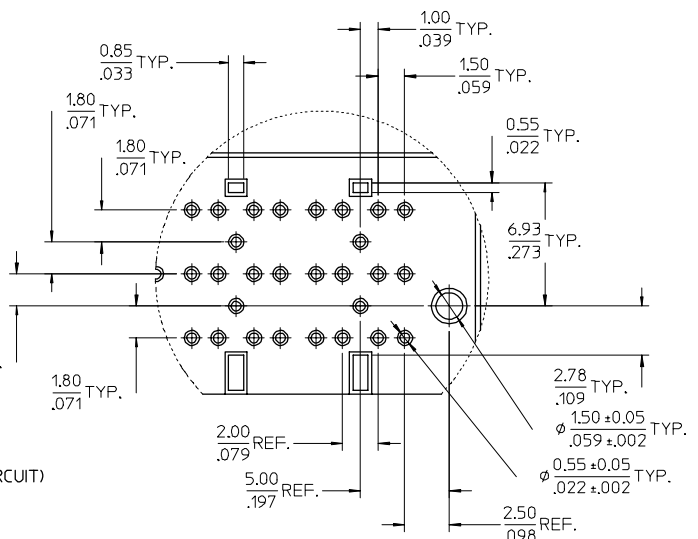
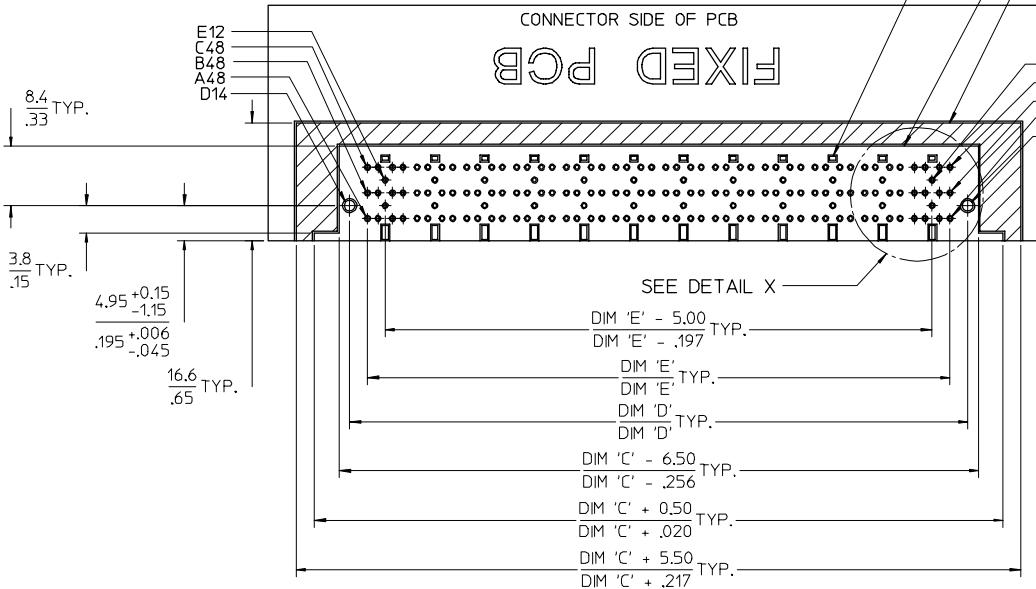
EC NO: UCP2003-1292 DRWN: KLANG 2003/01/14 CHKD: 2003/01/15 APPR: MBANAKIS 2003/01/15	QUALITY SYMBOLS ▽ .0 ◻ .0	GENERAL TOLERANCES (UNLESS SPECIFIED)		SCALE 1:1	DESIGN UNITS METRIC	THIRD ANGLE PROJECTION	REVISE ON CAD ONLY		
		DIMENSION STYLE MM/IN	TITLE HIGH SPEED DOCKING FIXED CONNECTOR		MOLEX MOLEX INCORPORATED				
		4 PLACES ± --- ± --- 3 PLACES ± --- ± .005 2 PLACES ± 0.13 ± .01 1 PLACE ± 0.25 ± ---	ANGULAR ±1/2°		DRAWN BY LANG DATE 02-NOV-25	SHEET NO. 2 OF 3			
		DRAFT WHERE APPLICABLE MUST REMAIN WITHIN DIMENSIONS		CHECKED BY LANG DATE 02-NOV-26	APPROVED BY BANAKIS DATE 02-NOV-26	MATERIAL NO. SEE CHART	DOCUMENT NO. SD-75018-010	THIS DRAWING CONTAINS INFORMATION THAT IS PROPRIETARY TO MOLEX INCORPORATED AND SHOULD NOT BE USED WITHOUT WRITTEN PERMISSION	

12 11 10 9 8 7 6 5 4 3 2

J
I
H
G
F
E
D
C
B
A

J
I
H
G
F
E
D
C
B
A

NO EXPOSED TRACES ON SURFACE OF PCB IN CONNECTOR STAND OFF LOCATIONS
CONNECTOR KEEP OUT AREA
APPLICATION TOOLING KEEP OUT AREA (NOTES 10 & 11)



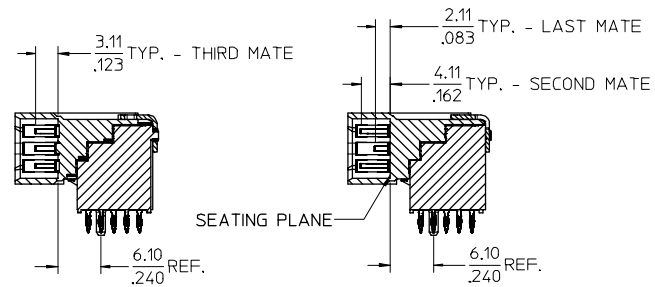
DETAIL X
SCALE 5:1

NOMINAL WIPE
FIRST MATE: 5.2mm
SECOND MATE: 2.8mm
THIRD MATE: 1.8mm
LAST MATE: 0.8mm

CIRCUIT DESIGNATION (EXAMPLE FOR 144 CIRCUIT)
FIRST MATE: HOUSING - SIGNAL GROUND
SECOND MATE: A1, C1, A48, C48
THIRD MATE: A2, B2, C2, A47, B47, C47 & ALL OTHERS
LAST MATE: B1, B48

ALL COLUMNS FROM 3 THROUGH 46 ARE SUITABLE FOR DIFFERENTIAL PAIRS
EG: A3-A4, B3-B4, C3-C4, A21-A22, B33-B34, C45-C46

SIGNAL GROUND: ROWS D & E



EC NO: UCP2003-1292 DRWN: KLANG 2003/01/14 CHKD: 2003/01/15 APPR: MBANAKIS 2003/01/15	QUALITY SYMBOLS ▽ - 0 ◻ - 0	GENERAL TOLERANCES (UNLESS SPECIFIED)		SCALE 2:1	DESIGN UNITS METRIC	THIRD ANGLE PROJECTION	REVISE ON CAD ONLY		
		m/m	INCH	DIMENSION STYLE MM/IN		TITLE			
		4 PLACES ± --- ± ---	3 PLACES ± --- ± .005	DRAWN BY LANG	DATE 02-NOV-25	HIGH SPEED DOCKING FIXED CONNECTOR MOLEX INCORPORATED			
		2 PLACES ± 0.13 ± .01	1 PLACE ± 0.25 ± ---	CHECKED BY LANG	DATE 02-NOV-26				
ANGULAR ±1/2°		DRAFT WHERE APPLICABLE MUST REMAIN WITHIN DIMENSIONS		APPROVED BY BANAKIS	DATE 02-NOV-26	MATERIAL NO. SEE SHEET 2	DOCUMENT NO. SD-75018-010	SHEET NO. 3 OF 3	
THIS DRAWING CONTAINS INFORMATION THAT IS PROPRIETARY TO MOLEX INCORPORATED AND SHOULD NOT BE USED WITHOUT WRITTEN PERMISSION								C	

11 10 9 8 7 6 5 4 3 2 1