

1

2

3

4

A

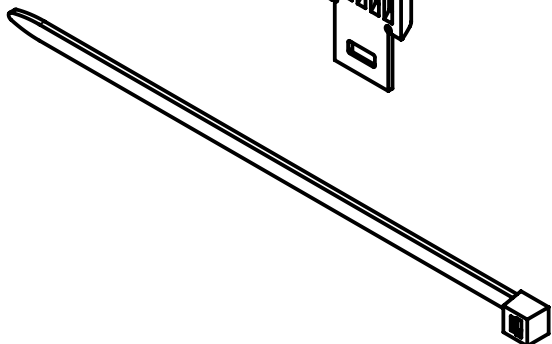
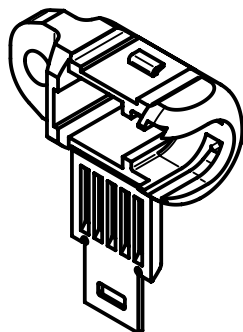
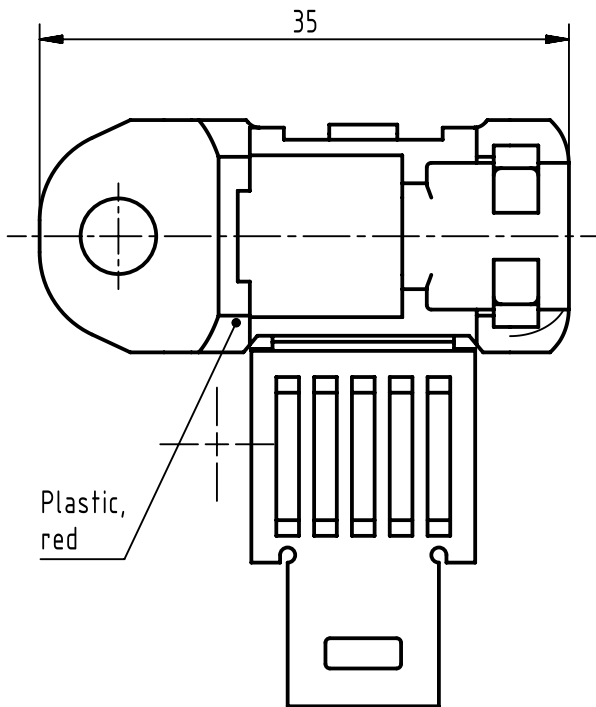
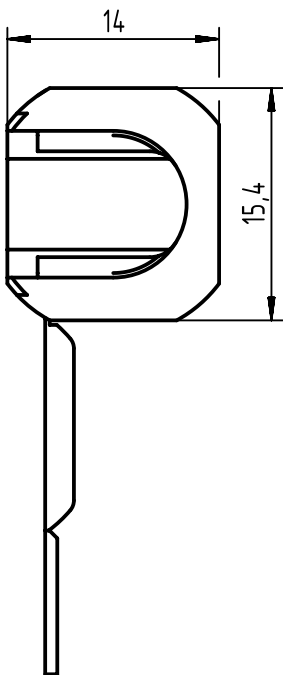
B

C

D

E

F



All Dimensions in mm
Original Size DIN A4

Scale
2:1

Free size tol.

Ref.

Sub.



All rights reserved
Department EC PD - DE

Created by
DRAGHICI

Inspected by
WELLMANN

Standardisation
HOFFMANN

Date
2013-09-12

State
Final Release

Title
preLink Protection cover 1-Pack of 10 pc

Doc-Key / ECM-Nr.
100196433/UGD/004/A
500000066287

HARTING Electronics GmbH
D-32339 Espelkamp

Type
TB

Number
20820009915

Rev.
A

Page
1/1