

SST12LP15B is a versatile power amplifier based on the highly-reliable InGaP/GaAs HBT technology. Easily configured for high-linear operation meeting the EVM requirements for 256 QAM applications, and for high-efficiency applications with excellent power-added efficiency while operating over the 2.4- 2.5 GHz frequency band. Configured for high efficiency, SST12LP15B will typically meet the 802.11g spectrum mask at 23 dBm with 270 mA. Configured for high linearity, SST12LP15B will provide less than 2.5% EVM, up to 20 dBm, with MCS7-HT40 modulation, and less than 1.75% EVM, up to 18 dBm, with MCS9-VHT40 modulation. This power amplifier also features easy board-level usage along with high-speed power-up/down control through the reference voltage pins. The SST12LP15B is offered in both a 3mm x 3mm, 16-contact VQFN package and a 2mm x 2mm, 12-contact XQFN package.

Features

- **High Gain:**
 - More than 32 dB gain across 2.4–2.5 GHz over temperature -40°C to +85°C
- **Configured for High Linearity**
 - 20 dBm at 2.5% DEVM, MCS7-HT40, 200mA
 - 18 dBm at 1.8% DEVM, MCS9-VHT40, 180 mA
 - 23 dBm typical spectrum mask compliance, MCS0-20
- **Configured for High Efficiency**
 - 23 dBm at 3% DEVM, 802.11g OFDM 54 Mbps, 310mA
 - 25.5 dBm typical spectrum mask compliance, 802.11b, 1Mbps
 - >29 dBm P1dB
 - Meets 802.11g OFDM ACPR requirement up to 26 dBm
- **High power-added efficiency/Low operating current**
- **Low I_{REF} current for power-up/down control**
 - I_{REF} <2 mA
- **High-speed power-up/down**
 - Turn on/off time (10%- 90%) <100 ns
 - Typical power-up/down delay with driver delay included <200 ns
- **Low Shut-down Current:2μA**
- **High temperature stability**
 - Typically 1 dB gain/power variation between 0°C to +85°C
- **Excellent On-chip power detection**
 - 20 dB linear dynamic range
 - Temperature- and VSWR-insensitive
- **Simple input/output matching**
- **Packages available**
 - 16-contact VQFN – 3mm x 3mm
 - 12-contact XQFN – 2mm x 2mm
- **All non-Pb (lead-free) devices are RoHS compliant**

Applications

- **WLAN (IEEE 802.11b/g/n/256 QAM)**
- **Cordless phones**
- **2.4 GHz ISM wireless equipment**

Product Description

SST12LP15B is a versatile power amplifier based on the highly-reliable InGaP/GaAs HBT technology.

This power amplifier can be easily configured for both high-efficiency with low EVM for high data rate applications and for high power-added efficiency (PAE) while operating over the 2.4- 2.5 GHz frequency band. There are two application circuits provided to show this versatility.

Configured for high power-added efficiency, SST12LP15B provides more than 32 dB gain and typically meets 3% EVM up to 23 dBm output power for 54 Mbps 802.11g operation. This power amplifier also meets spectral mask compliance output power up to 25 dBm for 802.11g and up to 25.5 dBm for 802.11b operation. At 4.5V operation, the SST12LP15B-VQFN provides up to 24 dBm at 3% EVM.

Configured for high linearity, SST12LP15B provides more than 34 dB gain. It typically meets 2.5% EVM up to 20 dBm using MCS7-HT40 modulation and meets 1.8% EVM up to 18 dBm using MCS9-VHT40 modulation.

This device also features easy board-level usage along with high-speed power-up/down control through the reference voltage pins. Ultra-low reference current (total $I_{REF} \sim 2$ mA) makes the SST12LP15B controllable by an on/off switching signal directly from the baseband chip. These features coupled with low operating current make SST12LP15B ideal for the final stage power amplification in battery-powered 802.11b/g/n/256 QAM WLAN transmitter applications.

The power amplifier has an excellent, wide dynamic range (>20 dB), dB-wise linear on-chip power detector. The excellent on-chip power detector provides a reliable solution to board-level power control.

The SST12LP15B is offered in both 16-contact VQFN (3mm x 3mm) and 12-contact XQFN (2mm x 2mm) packages. See Figures 3 and 4 for pin assignments and Tables 1 and 2 for pin descriptions.

Functional Blocks

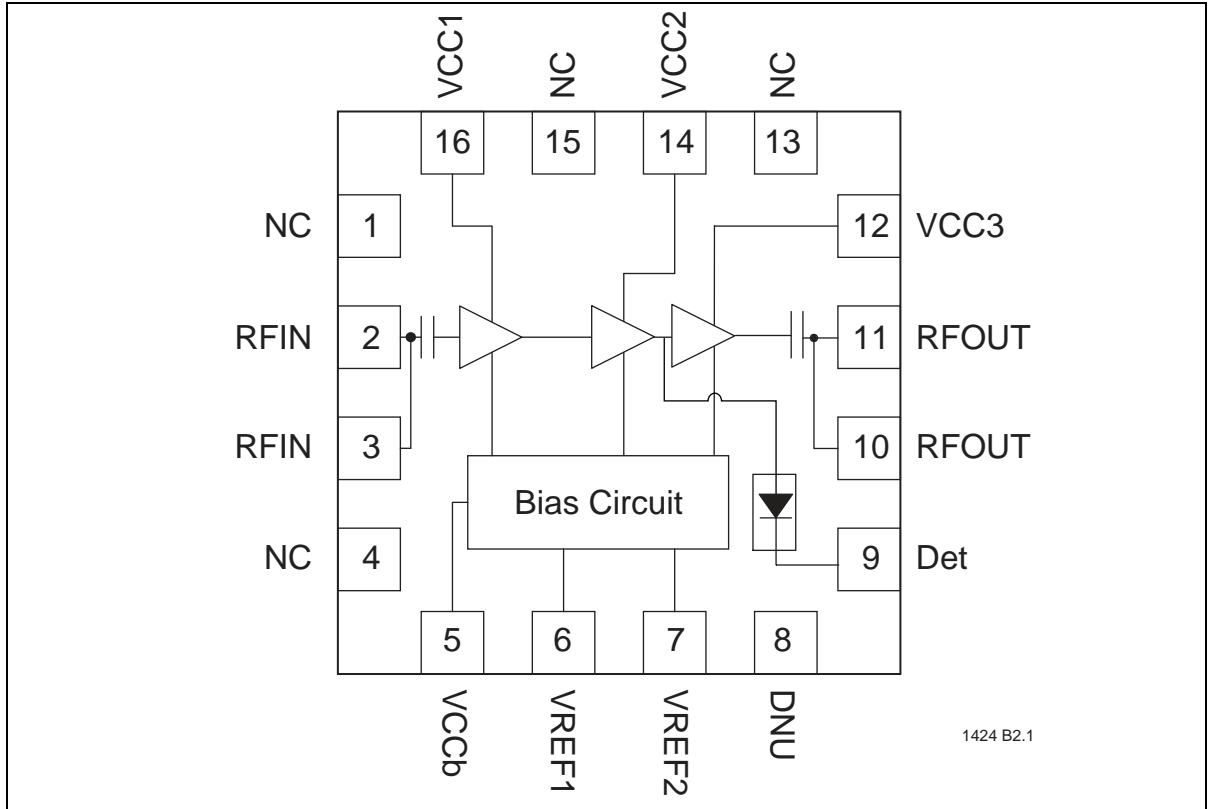


Figure 1: Functional Block Diagram for 3mm x 3mm, 16-contact VQFN (QVC)

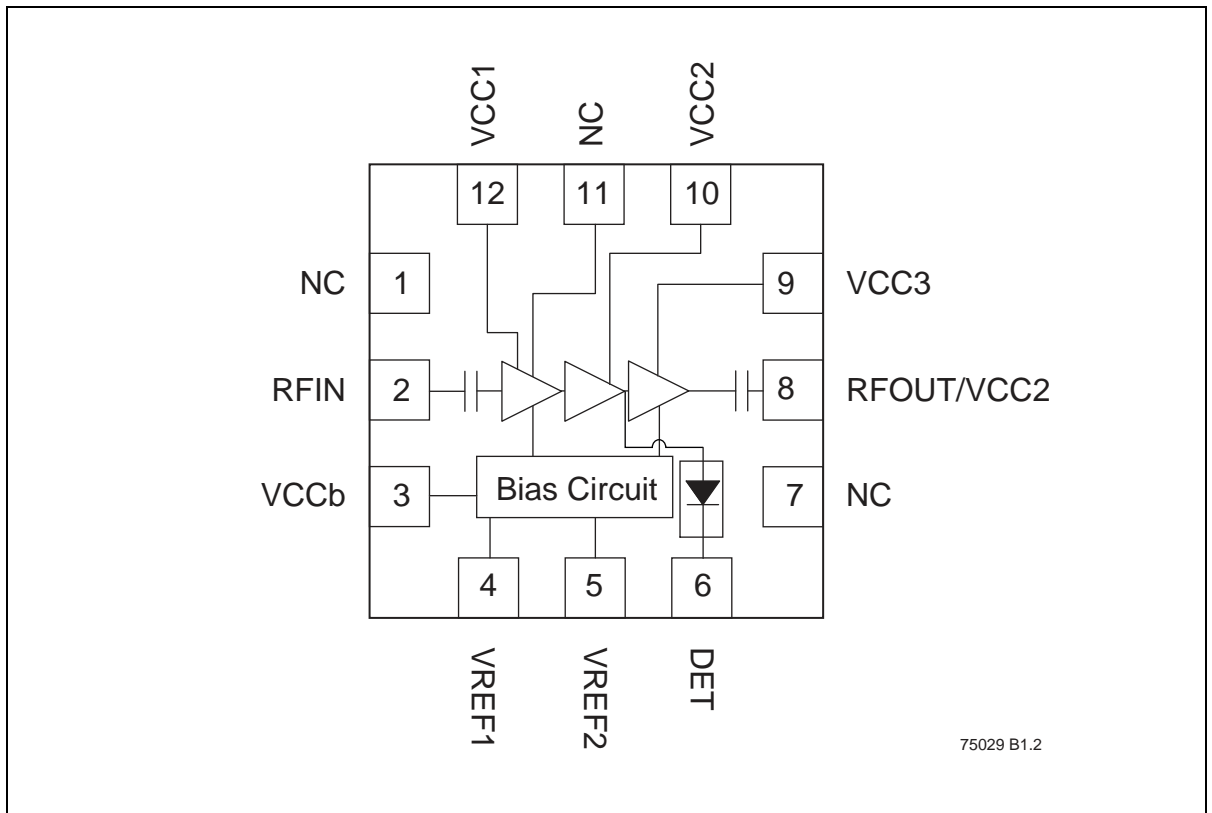


Figure 2: Functional Block Diagram for 2mm x 2mm, 12-contact XQFN (QXB)

Pin Assignments and Pin Descriptions

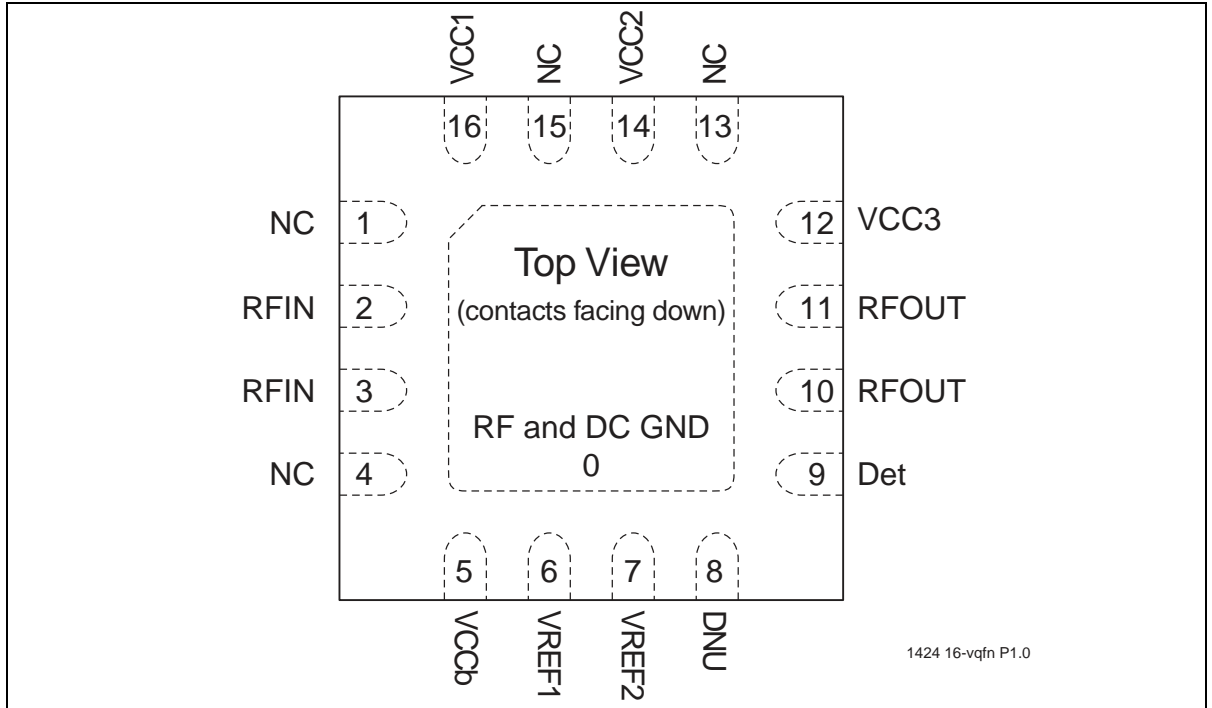


Figure 3: Pin Assignments for 3mm x 3mm, 16-contact VQFN (QVC)

Table 1: Pin Description for 3mm x 3mm, 16-contact VQFN

Symbol	Pin No.	Pin Name	Type ¹	Function
GND	0	Ground		The center pad should be connected to RF ground with several low inductance, low resistance vias.
NC	1	No Connection		Unconnected pins.
RFIN	2		I	RF input, DC decoupled
RFIN	3		I	RF input, DC decoupled
NC	4	No Connection		Unconnected pins.
VCCb	5	Power Supply	PWR	Supply voltage for bias circuit
VREF1	6		PWR	1st and 2nd stage idle current control
VREF2	7		PWR	3rd stage idle current control
DNU	8	Do Not Use		Do not use or connect
Det	9		O	On-chip power detector
RFOUT	10		O	RF output
RFOUT	11		O	RF output
VCC3	12	Power Supply	PWR	Power supply, 3rd stage
NC	13	No Connection		Unconnected pins.
VCC2	14	Power Supply	PWR	Power supply, 2nd stage
NC	15	No Connection		Unconnected pins.
VCC1	16	Power Supply	PWR	Power supply, 1st stage

1. I=Input, O=Output

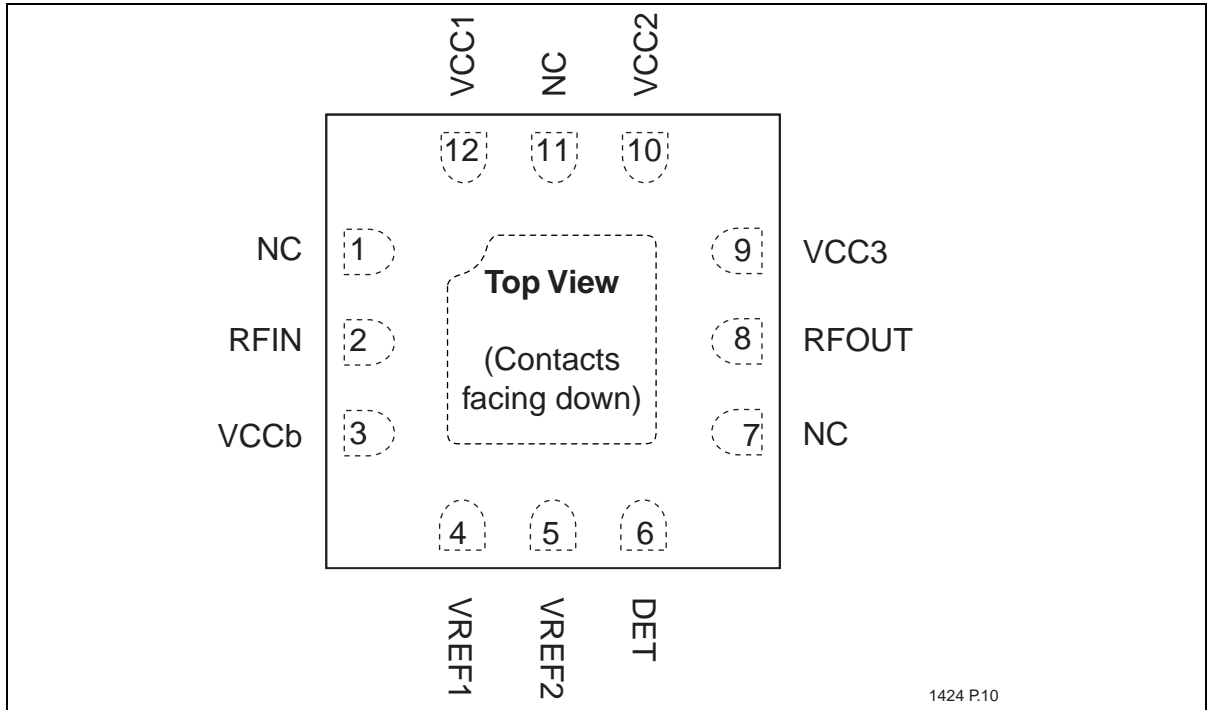


Figure 4: Pin Assignments for 2mm x 2mm, 12-contact XQFN (QXB)

Table 2: Pin Description for 2mm x 2mm, 12-contact XQFN

Symbol	Pin No.	Pin Name	Type ¹	Function
GND	0	Ground		Low-inductance ground pad
NC	1	No Connection		Unconnected pin
RFIN	2		I	RF input, DC decoupled
VCCb	3	Power Supply	PWR	Supply voltage for bias circuit
VREF1	4		PWR	1 st and 2 nd stage idle current control
VREF2	5		PWR	3 rd stage idle current control
DET	6		O	On-chip power detector
NC	7	No Connection		Unconnected pin
RFOUT	8		O	RF output, DC decoupled
VCC3	9	Power Supply	PWR	Power supply, 3 rd stage
VCC2	10	Power Supply	PWR	Power supply, 2 nd stage
NC	11	No Connection		Unconnected pin
VCC1	12	Power Supply	PWR	Power supply, 1 st stage

1. I=Input, O=Output

T2.0 75029

Electrical Specifications

The DC and RF specifications for the power amplifier are specified below.

Absolute Maximum Stress Ratings (Applied conditions greater than those listed under “Absolute Maximum Stress Ratings” may cause permanent damage to the device. This is a stress rating only and functional operation of the device at these conditions or conditions greater than those defined in the operational sections of this data sheet is not implied. Exposure to absolute maximum stress rating conditions may affect device reliability.)

Average Input power (P_{IN}) ¹	+5 dBm
Average output power (P_{OUT}) ¹	+28 dBm
Supply Voltage (V_{CCb} , V_{CC1} , V_{CC2} , V_{CC3})	-0.3V to +5.0V ²
Reference voltage (V_{REF1} , V_{REF2})	-0.3V to +3.3V
DC supply current (I_{CC}) ³	500 mA
Operating Temperature (T_A)	-40°C to +85°C
Storage Temperature (T_{STG})	-40°C to +120°C
Maximum Junction Temperature (T_J)	+150°C
Surface Mount Solder Reflow Temperature	260°C for 10 seconds

1. Never measure with CW source. Pulsed single-tone source with <50% duty cycle is recommended. Exceeding the maximum rating of average output power could cause permanent damage to the device.
2. Output power must be limited to 20 dBm at 5V V_{CC} and limited to 26 dBm at 4.5V V_{CC}
3. Measured with 100% duty cycle 54 Mbps 802.11g OFDM Signal

Table 3: Operating Range

Range	Ambient Temp	V_{CC}
Industrial	-40°C to +85°C	3.0V to 4.5V

T3.1 75029

Table 4 shows the DC and RF characteristics for the configuration that achieves high linearity for 802.11n and 256 QAM applications. The associated schematic is shown in Figure 25 for the 16-contact VQFN package. The RF performance is shown in figures 20 through 24.

Table 5 shows the DC and RF characteristics for the configuration that achieves high power-added efficiency (PAE). The associated schematic is shown in Figure 18 for the 16-contact VQFN package. The RF performance is shown in figures 13 through 17.

3mm x 3mm, 16-contact VQFN High-Linearity, Low EVM Applications

Typical Performance Characteristics for High Linear Output Power for 16-contact VQFN package (Schematic in Figure 11)

Table 4: DC and RF Characteristics for High-Linearity Performance at 25°C, at 3.3V V_{CC} unless otherwise noted, for 16-contact VQFN (Schematic in Figure 25)

Symbol	Parameter	Min.	Typ	Max.	Unit
V _{CC}	Supply Voltage at pins 5, 12, 14, and 16	3.0	3.3	4.5	V
I _{CQ}	Idle current with no RF		135		mA
V _{REG}	Reference Voltage	2.80	2.85	2.95	V
I _{CC}	Current Consumption at 18 dBm, 256 QAM		180		mA
	Current Consumption at 20 dBm, MCS7-HT40		200		mA
	Current Consumption at 23 dBm, MCS0-HT20		365		mA
F _{L-U}	Frequency range	2412		2484	MHz
G	Small signal gain	34	37		dB
G _{VAR1}	Gain variation over band (2412–2484 MHz)			±0.5	dB
G _{VAR2}	Gain ripple over channel (20 MHz)		0.2		dB
2f	Harmonics at 25 dBm, without external filters		-43		dBm/ MHz
3f			-25		
4f			-30		
5f			-30		
EVM	EVM @ 22 dBm Output Power with 802.11g OFDM 54 Mbps signal		3		%
	EVM @ 24 dBm Output Power with 802.11g OFDM 54 Mbps at 4.5V V _{CC}		3		%
	EVM @ 20 dBm Output Power with MCS7-HT40		2.5		%
	EVM @ 18 dBm Output Power with MCS9-VHT40		1.8		%
P _{OUT}	Output Power to meet 802.11g OFDM 6 Mbps spectrum mask		23.5		dBm
	Output Power to meet 802.11b DSSS 1 Mbps spectrum mask		24		dBm
	Output Power to meet MCS0-HT20 spectrum mask		23		dBm
	Output Power to meet 802.11b CCK 1 Mbps spectrum mask at 4.5V V _{CC}		27		dBm

T4.1 75029

3mm x 3mm, 16-contact VQFN High-Linearity Configuration (continued)

Test Conditions: $V_{CC} = 3.3V$, $V_{REG} = 2.85V$, $T_A = 25^\circ C$, unless otherwise specified

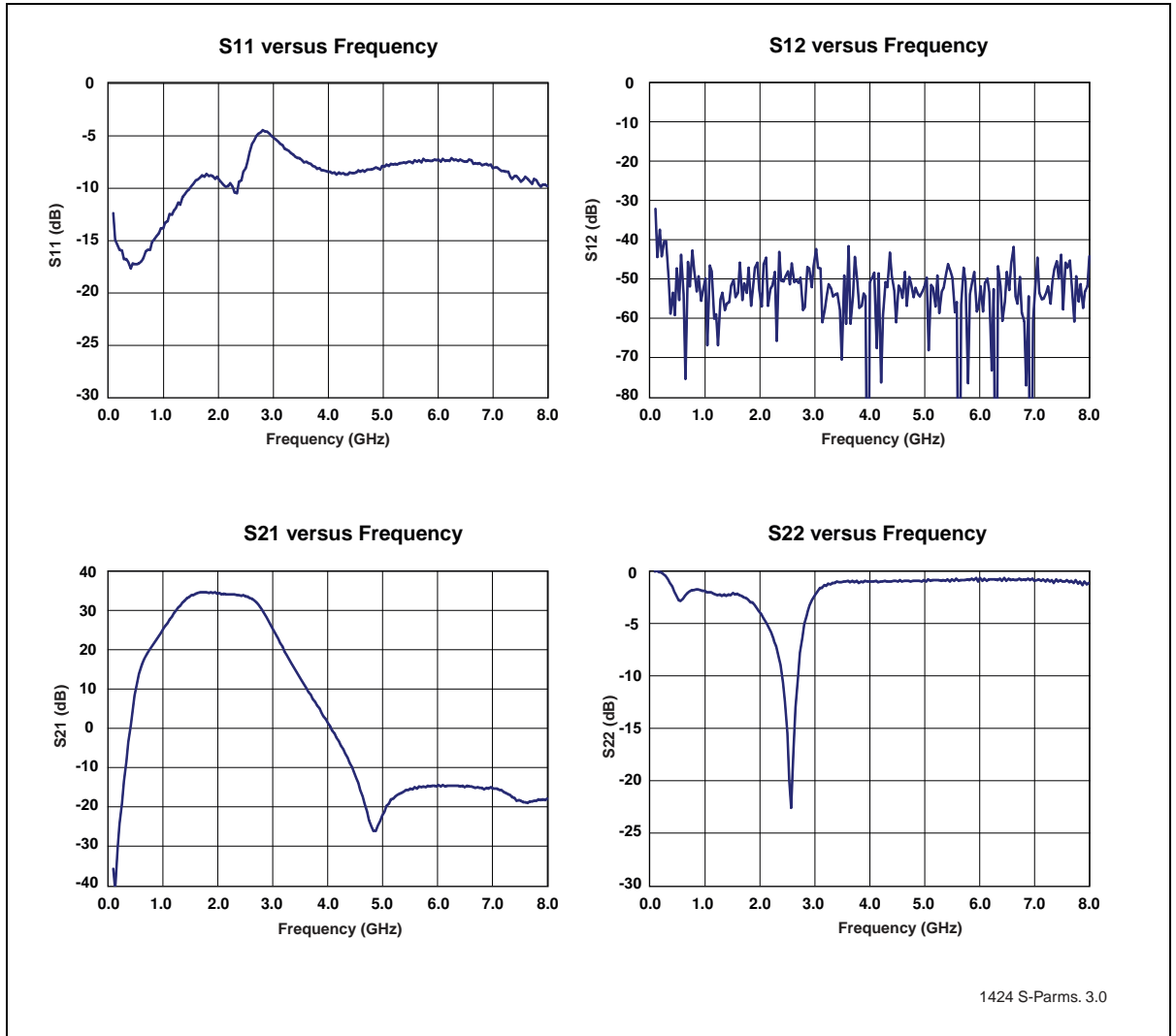


Figure 5: S-Parameters

3mm x 3mm, 16-contact VQFN High-Linearity Configuration (continued)

Test Conditions: $V_{CC} = 3.3V$, $V_{REG} = 2.85V$, $T_A = 25^\circ C$, MCS7-HT40 802.11n Signal, unless otherwise noted

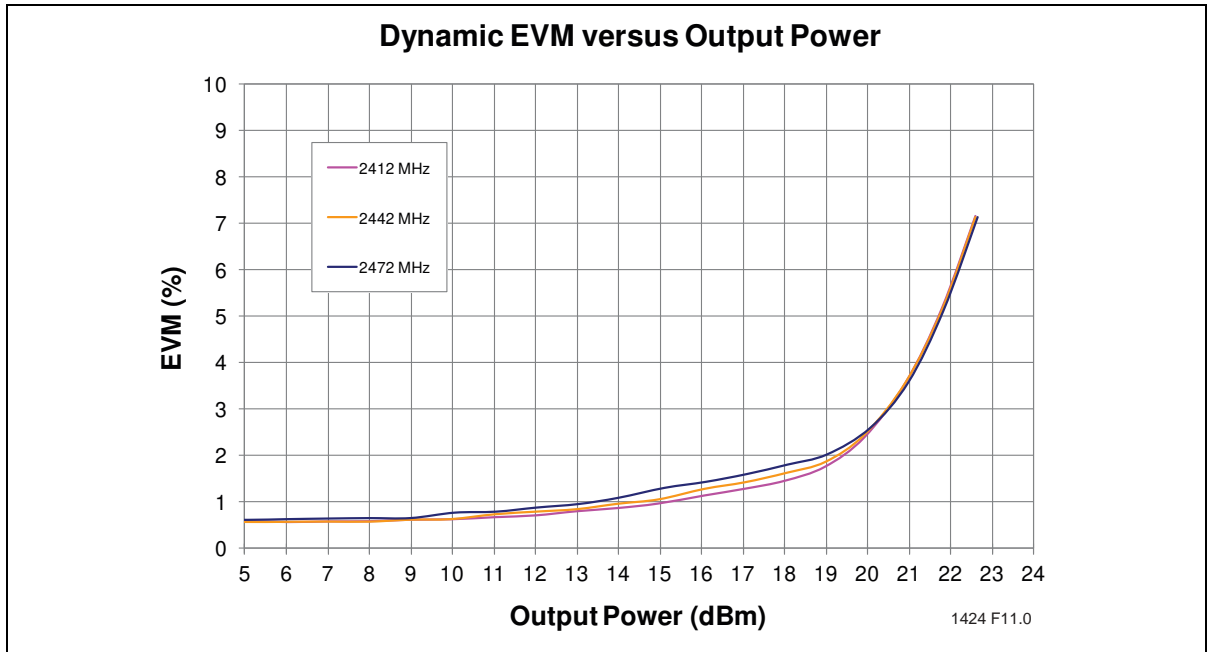


Figure 6: Dynamic EVM versus Output Power measured with sequence only

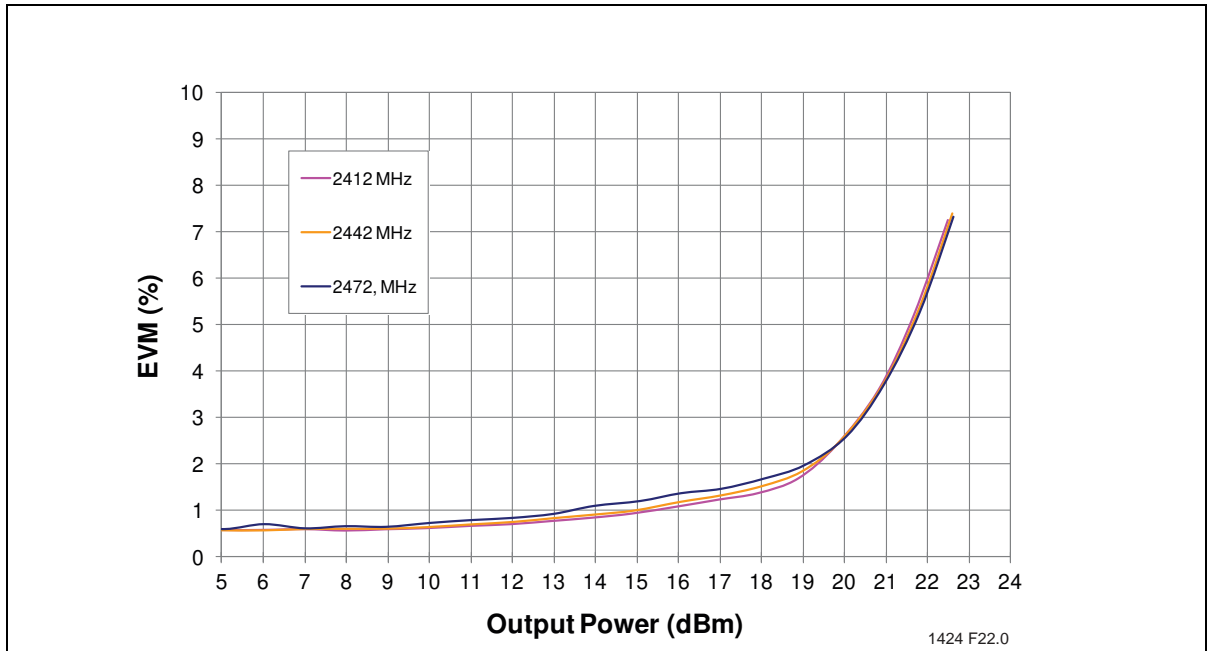


Figure 7: Dynamic EVM versus Output Power for 256 QAM with MCS9-VHT40 Modulation

3mm x 3mm, 16-contact VQFN High-Linearity Configuration (continued)

Test Conditions: $V_{CC} = 3.3V$, $V_{REG} = 2.85V$, $T_A = 25^\circ C$, MCS7-HT40 802.11n Signal, unless otherwise noted

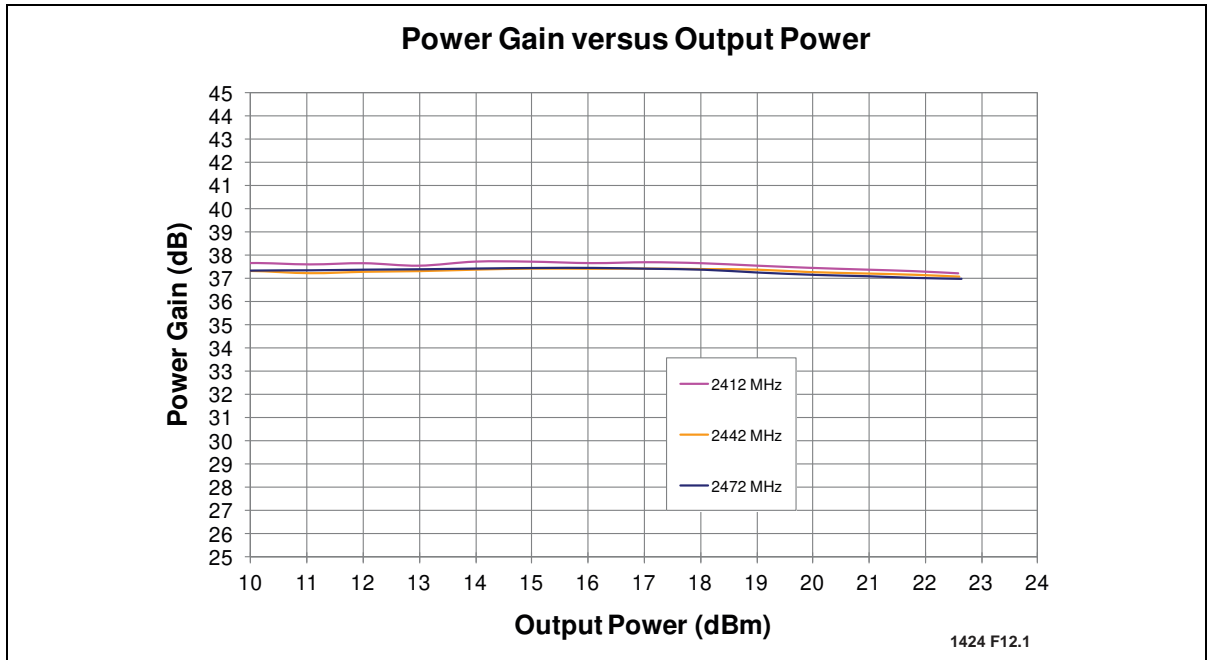


Figure 8: Gain versus Output Power

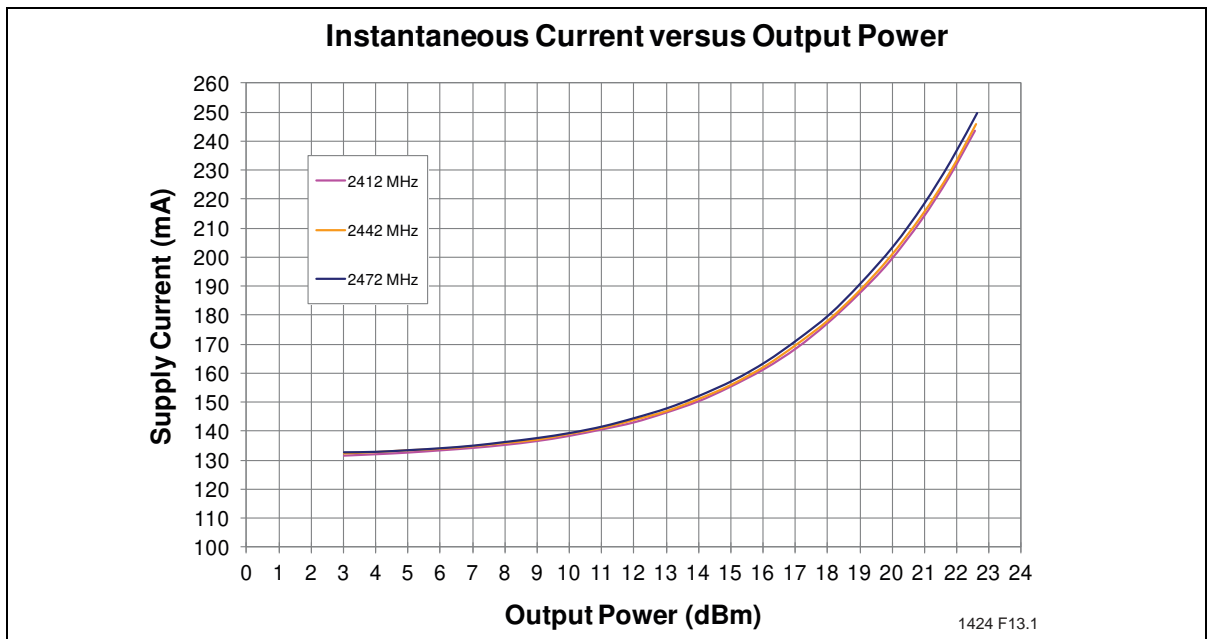


Figure 9: Total Current Consumption

3mm x 3mm, 16-contact VQFN High-Linearity Configuration (continued)

Test Conditions: $V_{CC} = 3.3V$, $V_{REG} = 2.85V$, $T_A = 25^\circ C$, MCS7-HT40 802.11n Signal, unless otherwise noted

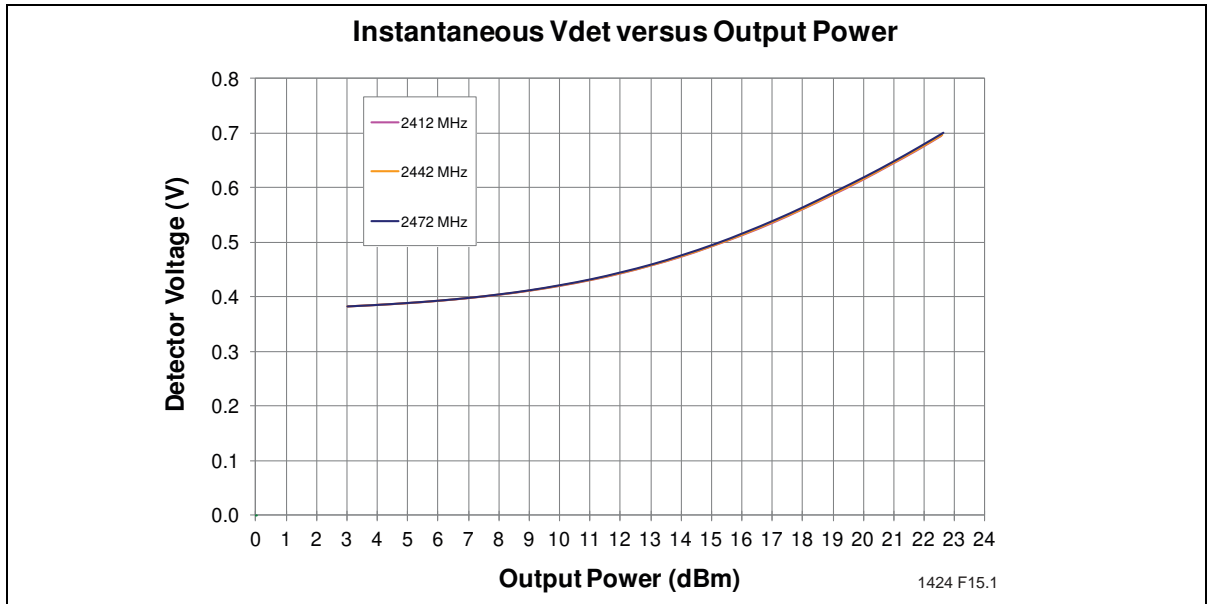


Figure 10: Detector Characteristics versus Output Power

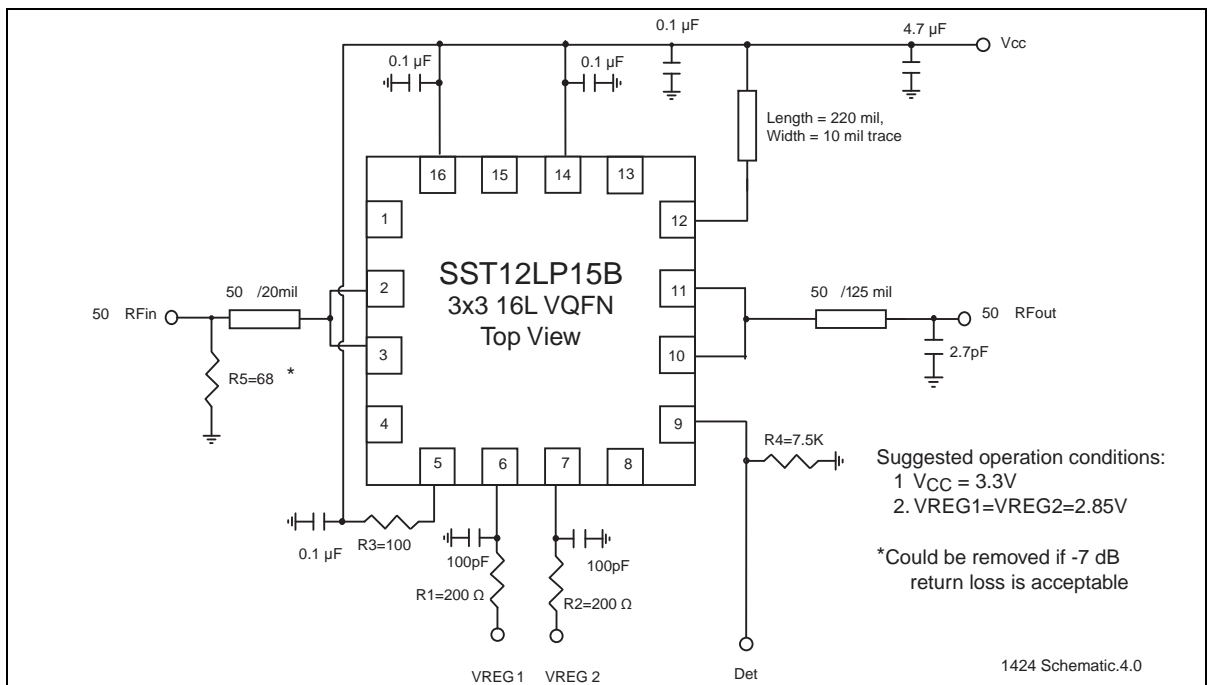


Figure 11: Typical Schematic for High-Linearity, 802.11b/g/n/256 QAM Applications for 16-contact VQFN, 3.3V

3mm x 3mm, 16-contact VQFN High-Linearity Configuration (continued)

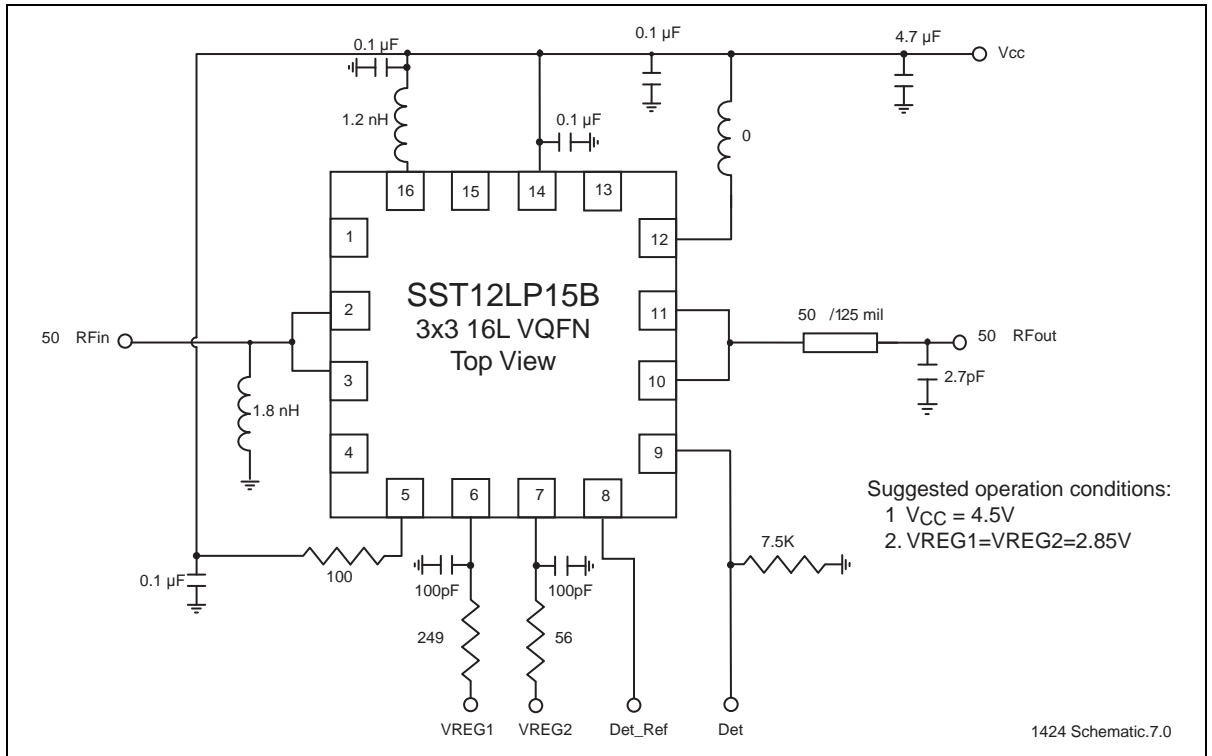


Figure 12: Typical Schematic for High-Linearity, 802.11b/g/n/256 QAM Applications for 16-contact VQFN, 4.5V

3mm x 3mm, 16-contact VQFN High-Efficiency Configuration

Typical Performance Characteristics for High Linear Power, with Good PAE Configuration, for 16-contact VQFN package (Schematic in Figure 18)

Table 5: DC and RF Characteristics for High Linear Power, with Good PAE Performance at 25°C, for 16-contact VQFN (Schematic in Figure 18)

Symbol	Parameter	Min.	Typ	Max.	Unit
V _{CC}	Supply Voltage at pins 5, 12, 14, and 16	3.0	3.3	4.5	V
I _{CQ}	Idle current to meet EVM ~3.5% @ 23 dBm Output Power with 802.11g OFDM 54 Mbps signal		80		mA
V _{REG1}	Reference Voltage for pin 6, with 806Ω resistor	2.75	2.85	2.95	V
V _{REG2}	Reference Voltage for pin 7, with 806Ω resistor	2.75	2.85	2.95	V
I _{CC}	Current Consumption to meet 802.11g OFDM 6 Mbps Spectrum mask @ 25 dBm Output Power		330		mA
	Current Consumption to meet 802.11b DSSS 1 Mbps Spectrum mask @ 24 dBm Output Power		310		mA
F _{L-U}	Frequency range	2412		2484	MHz
G	Small signal gain	35	36		dB
G _{VAR1}	Gain variation over band (2412–2484 MHz)			±0.5	dB
G _{VAR2}	Gain ripple over channel (20 MHz)		0.2		dB
2f	Harmonics at 25 dBm, without external filters		-43		dBm/ MHz
3f			-25		
4f			-30		
5f			-30		
EVM	Added EVM @ 23 dBm Output Power with 802.11g OFDM 54 Mbps signal		3.5		%
P _{OUT}	Output Power to meet 802.11g OFDM 6 Mbps spectrum mask	24	25		dBm
	Output Power to meet 802.11b DSSS 1 Mbps spectrum mask	23	24		dBm

TS.1 75029

3mm x 3mm, 16-contact VQFN High-Efficiency Configuration (continued)

Test Conditions: $V_{CC} = 3.3V$, $V_{REG} = 2.85V$, $T_A = 25^\circ C$, unless otherwise specified

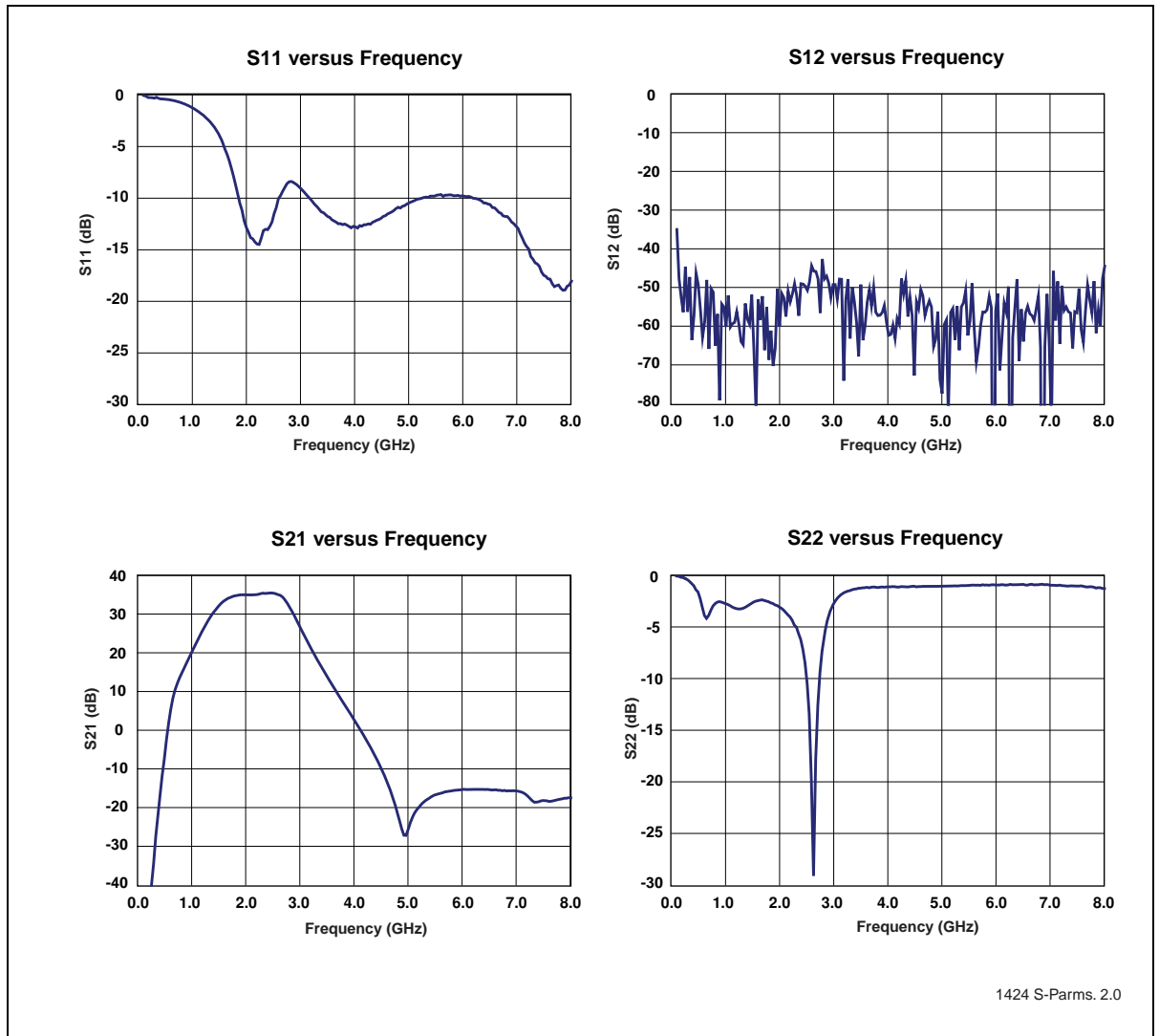


Figure 13: S-Parameters

3mm x 3mm, 16-contact VQFN High-Efficiency Configuration (continued)

Test Conditions: $V_{CC} = 3.3V$, $V_{REG} = 2.85V$, $T_A = 25^\circ C$, 54 Mbps 802.11g OFDM Signal

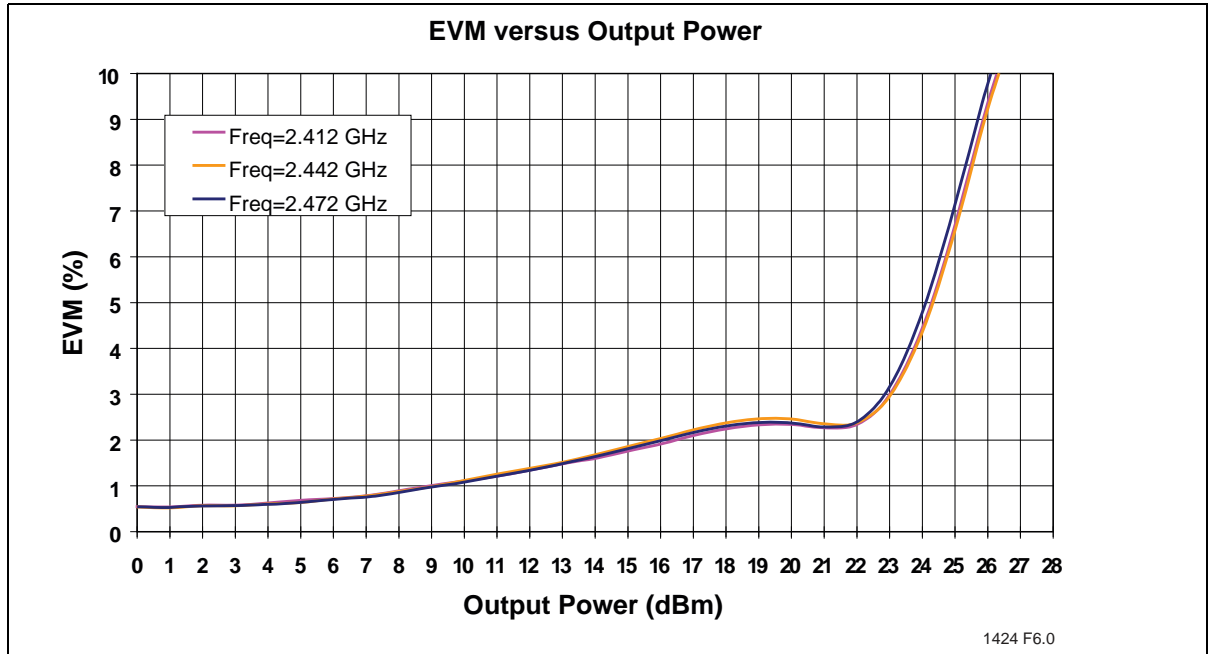


Figure 14: EVM versus Output Power measured with equalizer training set to sequence only

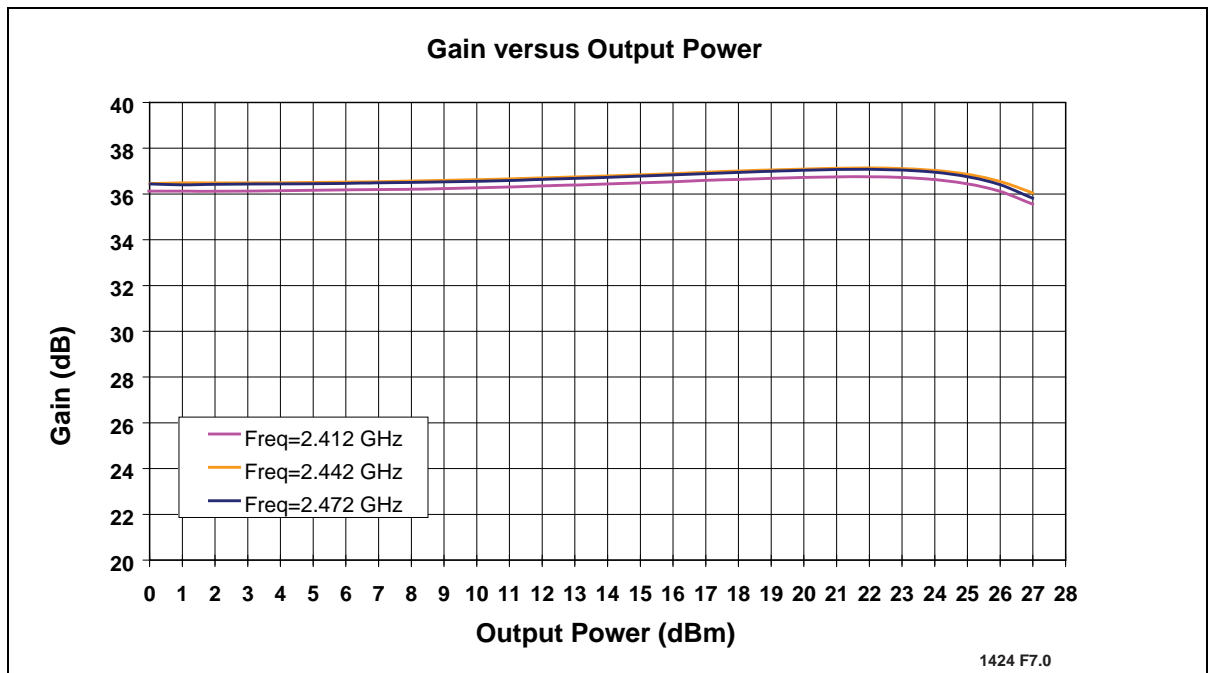


Figure 15: Gain versus Output Power

3mm x 3mm, 16-contact VQFN High-Efficiency Configuration (continued)

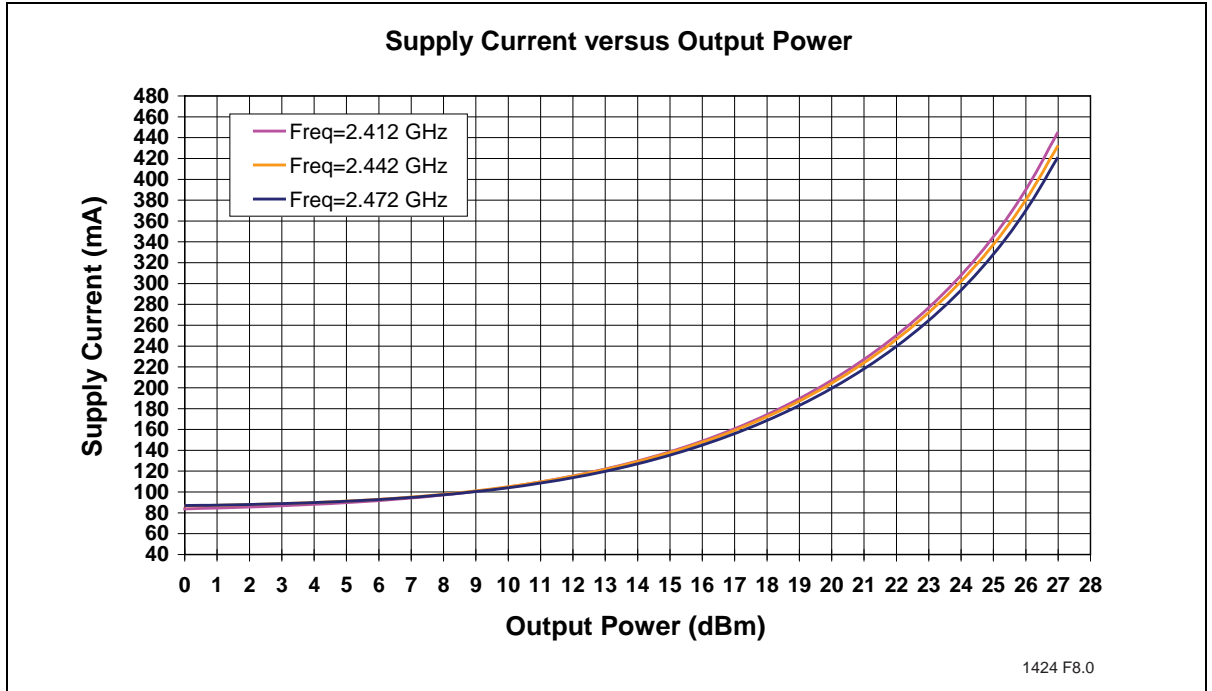


Figure 16: Total Current Consumption for 802.11g operation versus Output Power

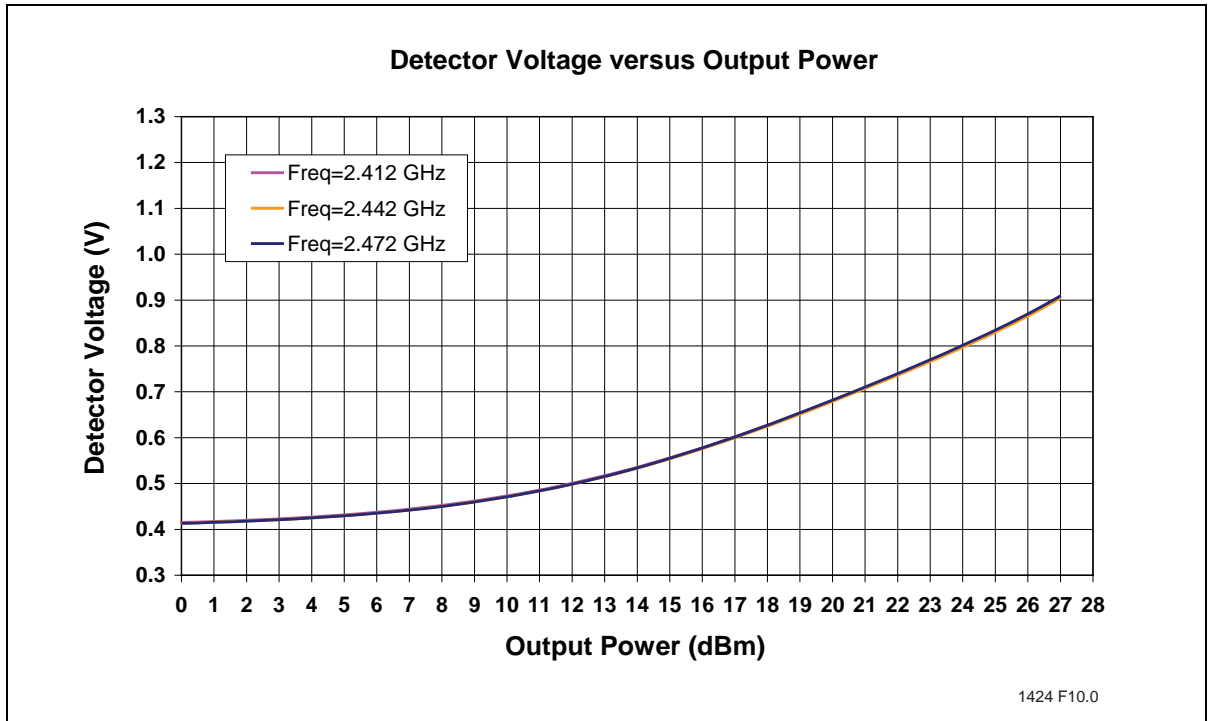


Figure 17: Detector Characteristics versus Output Power

3mm x 3mm, 16-contact VQFN High-Efficiency Configuration (continued)

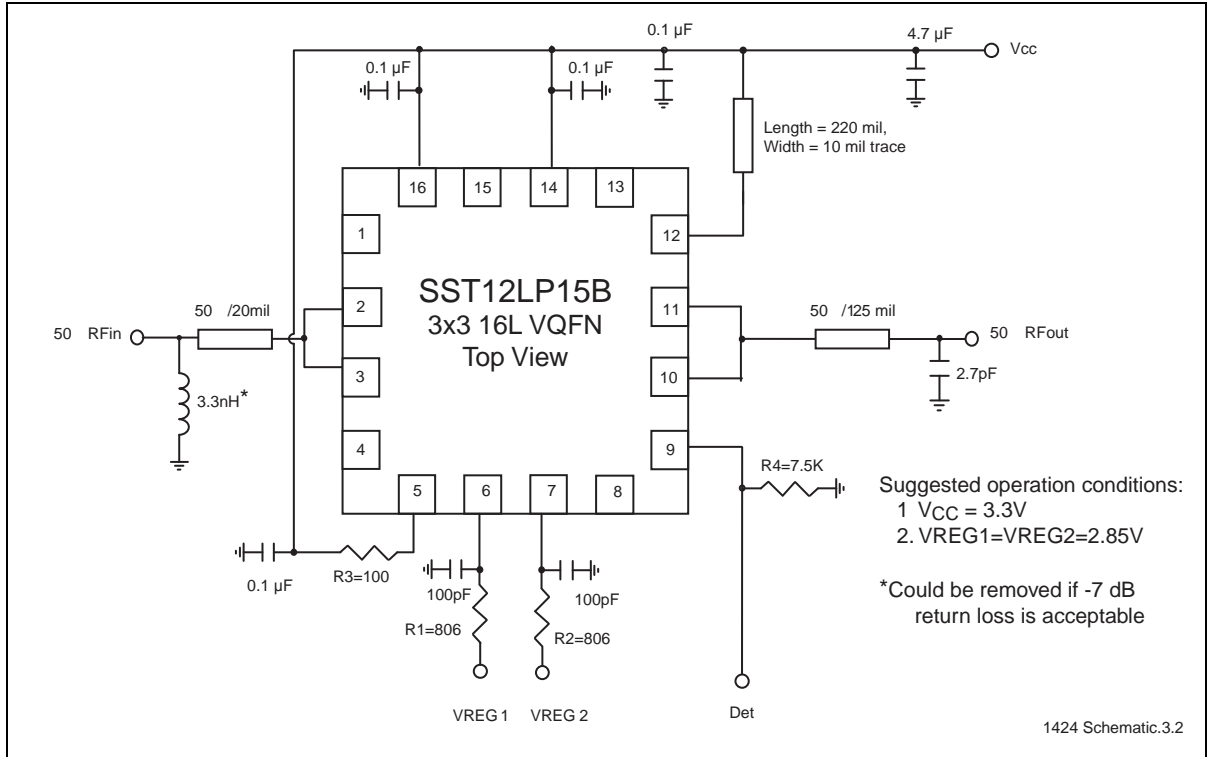


Figure 18: Typical Schematic for 3.3V, High-Efficiency 802.11b/g/n Applications for 16-contact VQFN

3mm x 3mm, 16-contact VQFN High-Efficiency Configuration (continued)

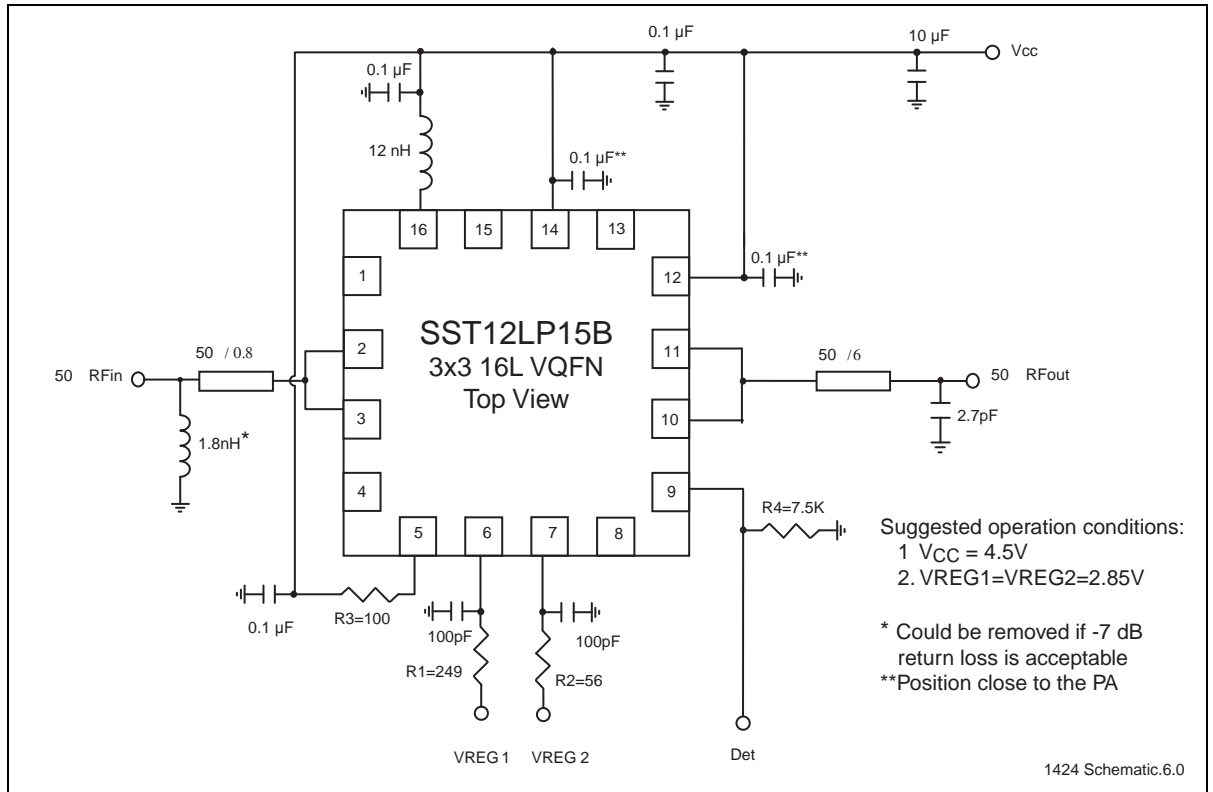


Figure 19: Typical Schematic for 4.5V, High-Efficiency 802.11b/g/n Applications for 16-contact VQFN

2mm x 2mm, 12-contact XQFN High-Linearity Configuration

Typical Performance Characteristics for High-Spectrum Mask Compliant Output Power Configuration for 12-contact XQFN package (Schematic in Figure 25)

Table 6: DC and RF Characteristics for High-Spectrum Mask Compliant Output Power, Performance at 25°C, for 12-contact XQFN (Schematic in Figure 25)

Symbol	Parameter	Min.	Typ	Max.	Unit
V _{CC}	Supply Voltage at pins 3, 9, 10, and 12	3.0	3.3	4.5	V
I _{CC}	Idle current to meet EVM ~3.5% @ 23 dBm Output Power with 802.11g OFDM 54 Mbps signal		190		mA
V _{REG1}	Reference Voltage for pin 4	2.75	2.85	2.95	V
V _{REG2}	Reference Voltage for pin 5	2.75	2.85	2.95	V
I _{CC}	Current Consumption to meet 802.11g OFDM 6 Mbps Spectrum mask @ 25.5 dBm Output Power		380		mA
	Current Consumption to meet 3% EVM, 54 Mbps @ 23 dBm Output Power		310		mA
F _{L-U}	Frequency range	2412		2484	MHz
G	Small signal gain	31	32		dB
G _{VAR1}	Gain variation over band (2412–2484 MHz)			±0.5	dB
G _{VAR2}	Gain ripple over channel (20 MHz)		0.2		dB
2f	Harmonics at 25 dBm, without external filters		-43		dBm / MHz
3f			-25		
4f			-30		
5f			-30		
EVM	Added EVM @ 23 dBm Output Power with 802.11g OFDM 54 Mbps signal		3.0		%
P _{OUT}	Output Power to meet 802.11g OFDM 6 Mbps spectrum mask	24.5	25.5		dBm
	Output Power to meet 802.11b DSSS 1 Mbps spectrum mask	24.5	25.5		dBm

T6.1 75029

2mm x 2mm, 12-contact XQFN High-Linearity Configuration (continued)

Test Conditions: $V_{CC} = 3.3V$, $V_{REG} = 2.85V$, $T_A = 25^\circ C$, unless otherwise specified

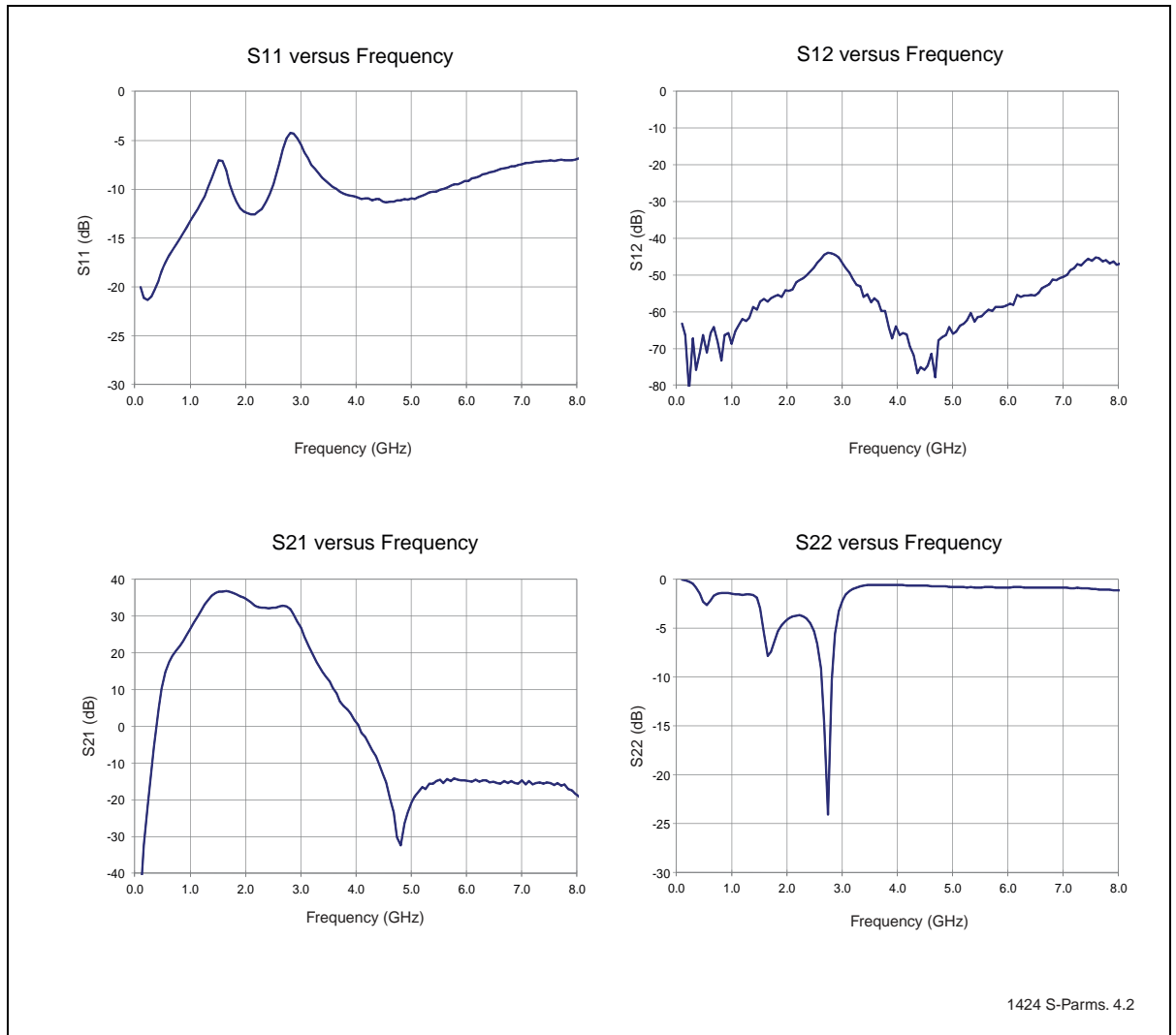


Figure 20: S-Parameters

2mm x 2mm, 12-contact XQFN High-Linearity Configuration (continued)

Test Conditions: $V_{CC} = 3.3V$, $V_{REG} = 2.85V$, $T_A = 25^\circ C$, 54 Mbps 802.11g OFDM Signal unless otherwise noted

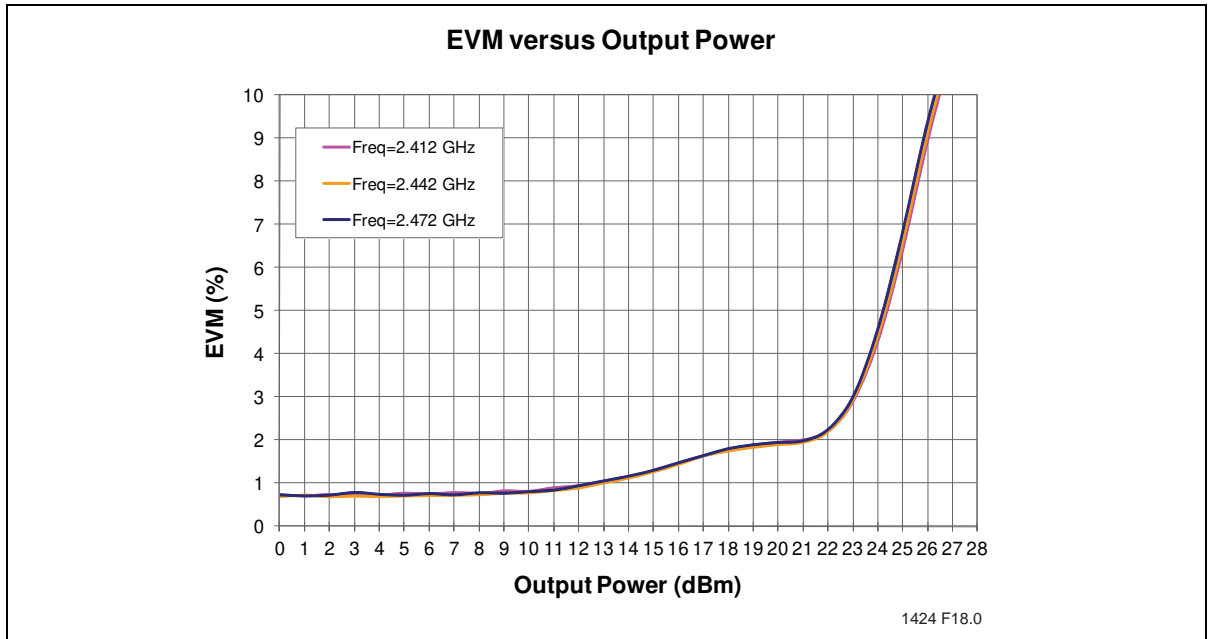


Figure 21: EVM versus Output Power measured with equalizer training set to sequence only

2mm x 2mm, 12-contact XQFN High-Linearity Configuration (continued)

Test Conditions: $V_{CC} = 3.3V$, $V_{REG} = 2.85V$, $T_A = 25^\circ C$, 54 Mbps 802.11g OFDM Signal unless otherwise noted

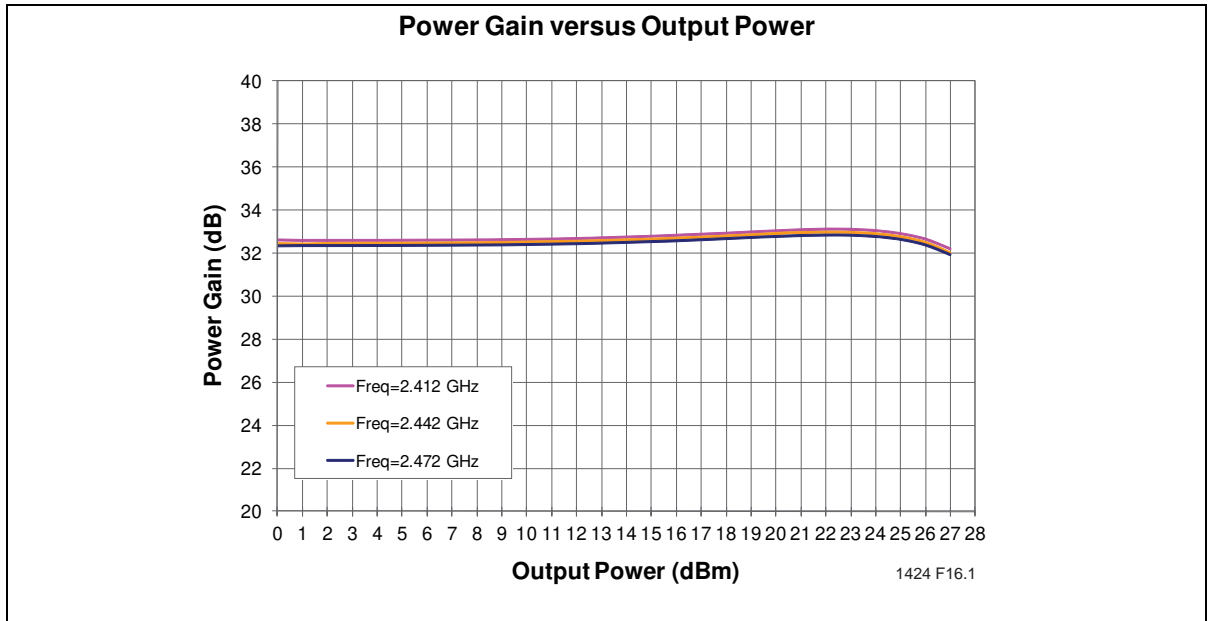


Figure 22: Gain versus Output Power

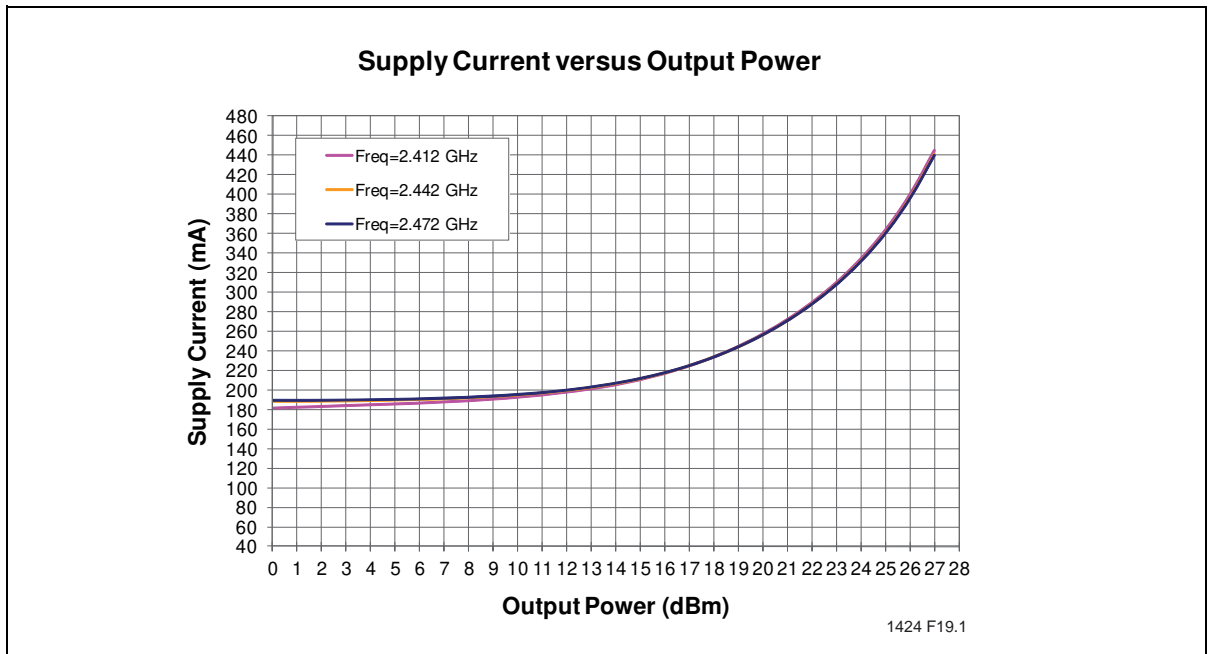


Figure 23: Total Current Consumption for 802.11g operation versus Output Power

2mm x 2mm, 12-contact XQFN High-Linearity Configuration (continued)

Test Conditions: $V_{CC} = 3.3V$, $V_{REG} = 2.85V$, $T_A = 25^\circ C$, 54 Mbps 802.11g OFDM Signal unless otherwise noted

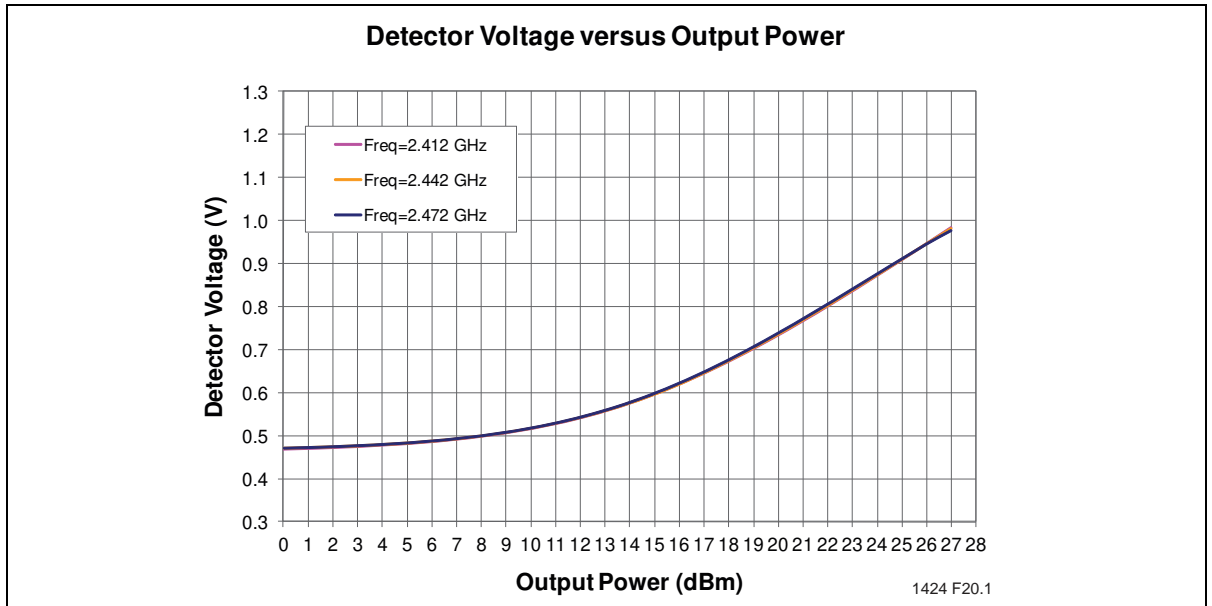


Figure 24: Detector Characteristics versus Output Power

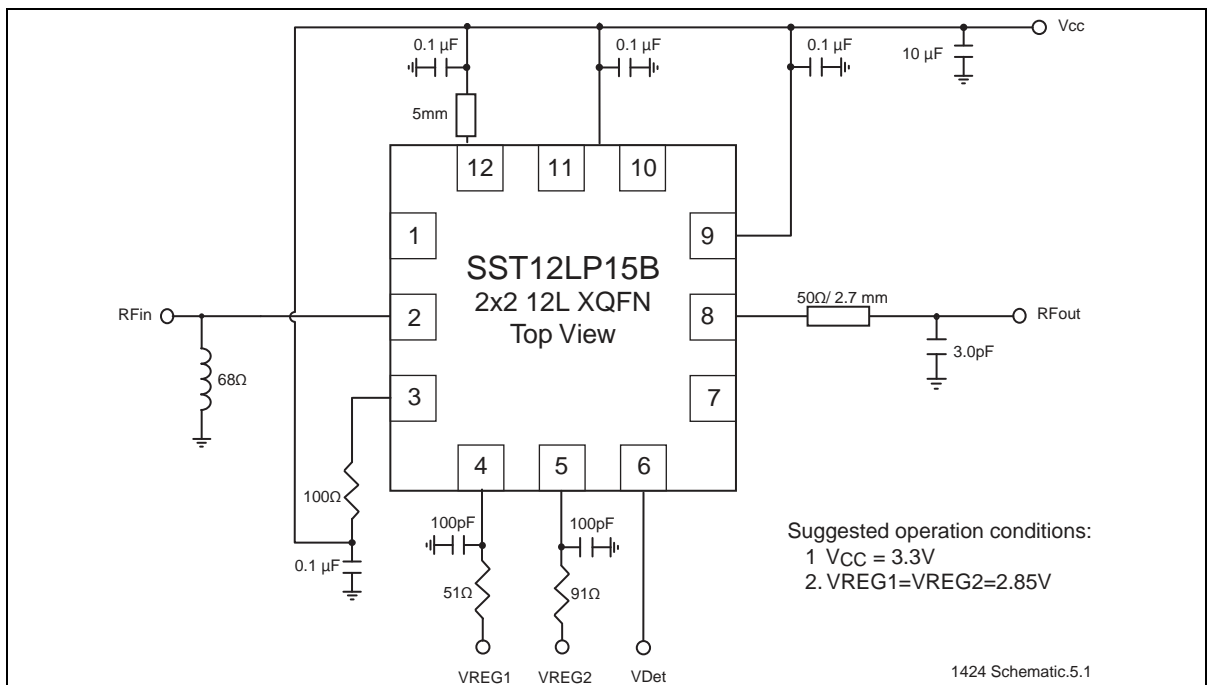
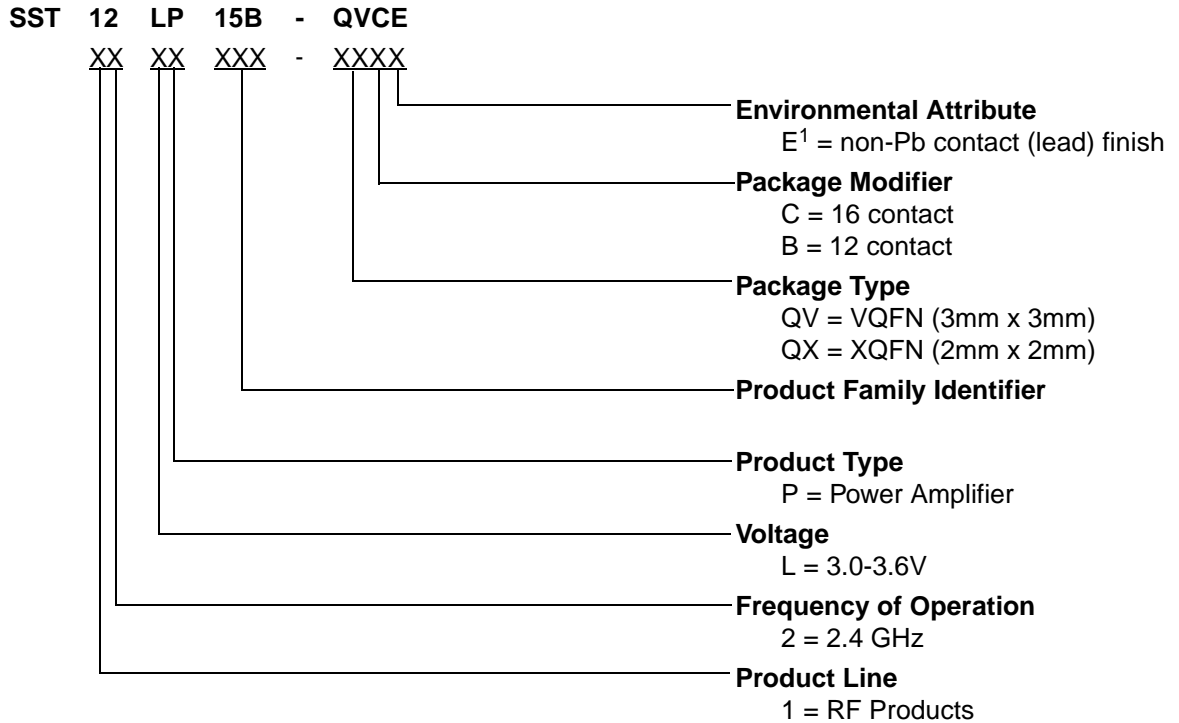


Figure 25: Typical Schematic for High-Linearity, 802.11b/g/n/256 QAM Applications for 12-contact XQFN

Product Ordering Information



1. Environmental suffix "E" denotes non-Pb solder. SST non-Pb solder devices are "RoHS Compliant".

Valid combinations for SST12LP15B

SST12LP15B-QVCE

SST12LP15B-QXBE

SST12LP15B Evaluation Kits

SST12LP15B-QVCE-K

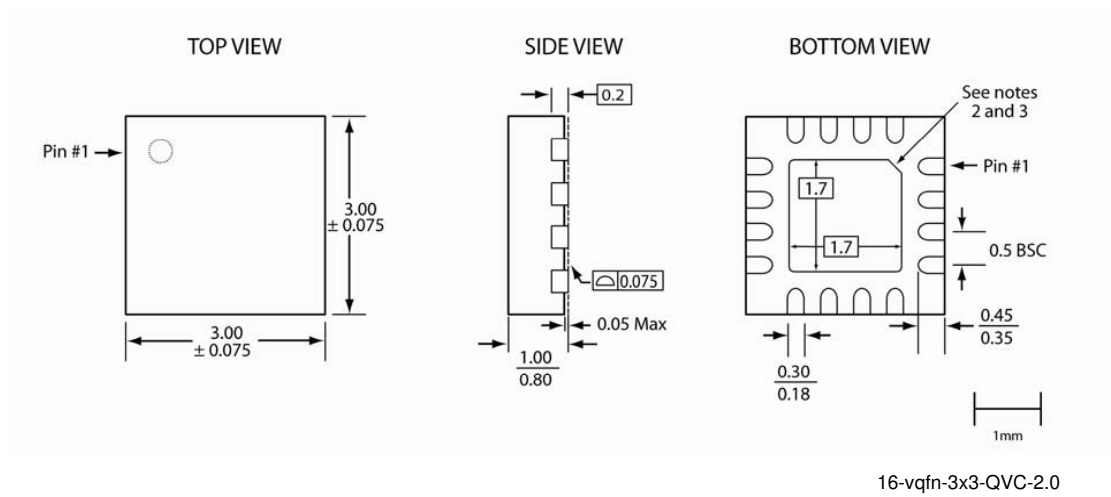
SST12LP15B-QXBE-K

Note: Valid combinations are those products in mass production or will be in mass production. Consult your SST sales representative to confirm availability of valid combinations and to determine availability of new combinations.

Packaging Diagrams

16-Lead Very Thin Quad Flatpack No-Leads (QVCE/F) - 3x3 mm Body [VQFN]

Note: For the most current package drawings, please see the Microchip Packaging Specification located at <http://www.microchip.com/packaging>



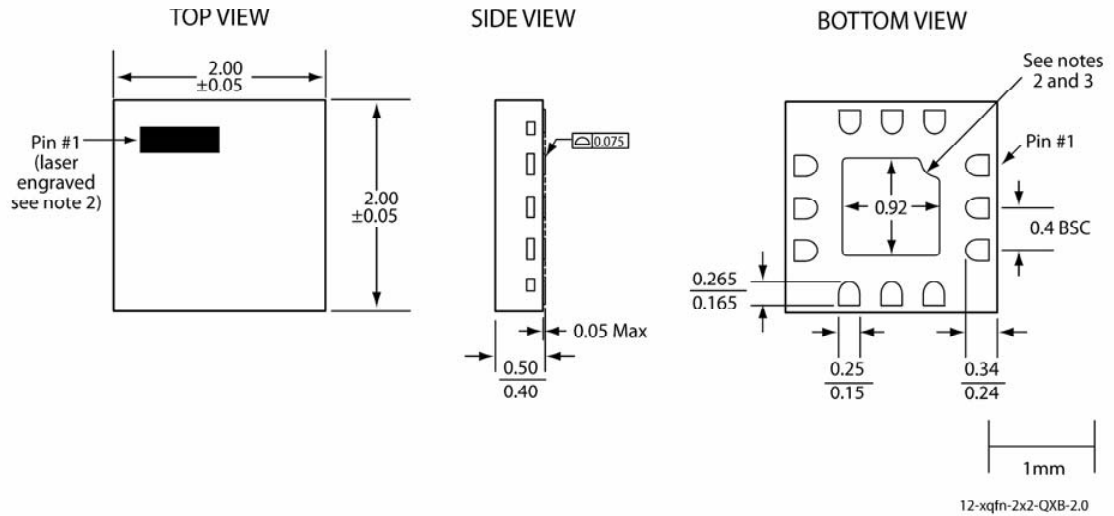
- Note:
1. Complies with JEDEC JEP95 MO-220J, variant VEED-4 except external paddle nominal dimensions.
 2. From the bottom view, the pin #1 indicator may be either a 45-degree chamfer or a half-circle notch.
 3. The external paddle is electrically connected to the die back-side and possibly to certain VSS leads. This paddle can be soldered to the PC board; it is suggested to connect this paddle to the VSS of the unit. Connection of this paddle to any other voltage potential can result in shorts and/or electrical malfunction of the device.
 4. Untoleranced dimensions are nominal target dimensions.
 5. All linear dimensions are in millimeters (max/min).

Microchip Technology Drawing C04-14015A Sheet 1 of 1

Figure 26: 16-contact Very-thin Quad Flat No-lead (VQFN)
 Package Code: QVC

12-Lead Extremely Thin Quad Flatpack No-Leads (QXBE/F) - 2x2 mm Body [XQFN]

Note: For the most current package drawings, please see the Microchip Packaging Specification located at <http://www.microchip.com/packaging>



Note:

1. Complies with JEDEC JEP95 MO-220J, variant VEED-4 except external paddle nominal dimensions and pull-back of terminals from body edge.
2. The topside pin #1 indicator is laser engraved; its approximate shape and location is as shown.
3. From the bottom view, the pin #1 indicator may be either a curved indent or a 45-degree chamfer.
4. The external paddle is electrically connected to the die back-side and possibly to certain VSS leads. This paddle must be soldered to the PC board; it is required to connect this paddle to the VSS of the unit. Connection of this paddle to any other voltage potential will result in shorts and electrical malfunction of the device.
5. Untoleranced dimensions are nominal target dimensions.
6. All linear dimensions are in millimeters (max/min).

Figure 27: 12-contact Extremely-thin Quad Flat No-lead (XQFN)
Package Code: QXB

Table 7: Revision History

Revision	Description	Date
00	<ul style="list-style-type: none"> • Initial release of data sheet 	Mar 2010
01	<ul style="list-style-type: none"> • Added QVC package to the data sheet. This required changes throughout the document and the addition of the following: Figures 1, 3, 13-18, and 27; Tables 1, 5, and 8. • Changed document status from “Data Sheet” to “Preliminary Specification” 	Oct 2010
02	<ul style="list-style-type: none"> • Added Figures 20 - 25 and Tables 4 and 7 	Jan 2011
03	<ul style="list-style-type: none"> • Updated document status from “Preliminary Specification” to “Data Sheet” 	Feb 2011
A	<ul style="list-style-type: none"> • Applied new document format • Released document under letter revision system • Updated spec number S71424 to DS75029 • Updated XQFN information in Figures 20- 25 • Added package dimensions throughout. 	Oct 2012
B	<ul style="list-style-type: none"> • Added information for 4.5V. 	Jul 2014
C	<ul style="list-style-type: none"> • Modified Features and Applications on page 1 • Updated “Electrical Specifications” on page 7 • Revised Table 4 on page 8 • Replaced Figures 6,8,9,10 and added Figure 7. Updated Figure 11. • Updated Test Conditions throughout. 	Jul 2015

ISBN:978-1-63277-576-4

© 2015 Microchip Technology Inc.

SST, Silicon Storage Technology, the SST logo, SuperFlash, and MTP are registered trademarks of Microchip Technology, Inc. MPF, SQI, Serial Quad I/O, and Z-Scale are trademarks of Microchip Technology, Inc. All other trademarks and registered trademarks mentioned herein are the property of their respective owners.

Specifications are subject to change without notice. Refer to www.microchip.com for the most recent documentation. For the most current package drawings, please see the Packaging Specification located at <http://www.microchip.com/packaging>.

Memory sizes denote raw storage capacity; actual usable capacity may be less.

Microchip makes no warranty for the use of its products other than those expressly contained in the Standard Terms and Conditions of Sale.

For sales office locations and information, please see www.microchip.com.