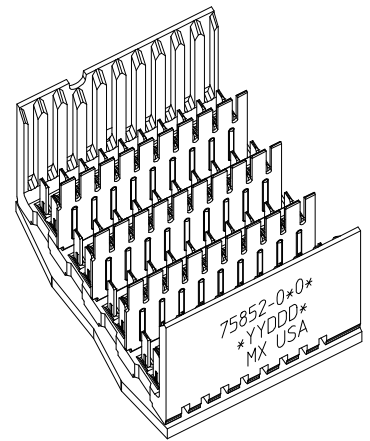
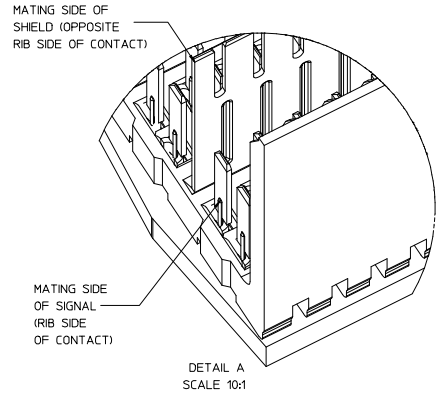
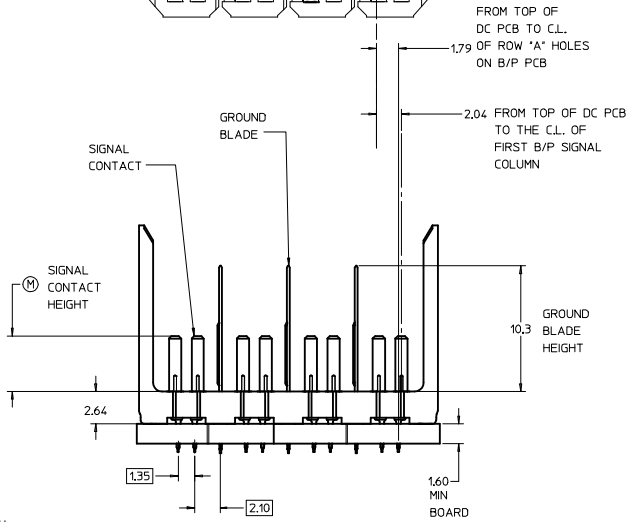
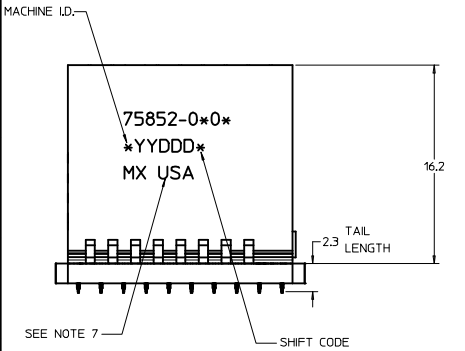
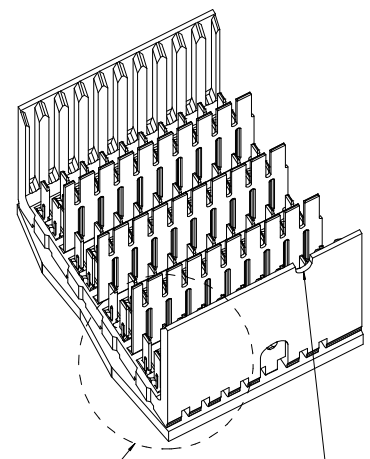
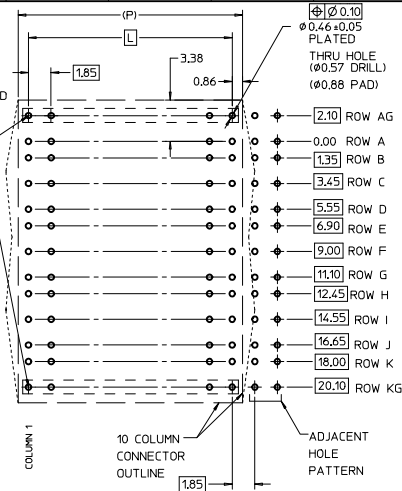


BACKPLANE HOLE PATTERN (COMPONENT SIDE-TO POS SHOWN)

ROW AG & KG RECOMMENDED FOR ALL APPLICATIONS. THESE ROWS SHOULD BE CONNECTED TO GROUND.



PART NUMBER TABLE				
ASSY PART NO.	K	L	P	TOTAL NO. OF DIFFERENTIAL PAIRS
75852-010*	9	16.65	18.35	40
75852-020*	24	44.40	46.10	100

- NOTES:
- MATERIAL: HOUSING - LIQUID CRYSTAL POLYMER (LCP) GLASS-FILLED, UL 94V-0, COLOR - GRAY, SIGNAL CONTACT AND GROUND BLADE - HIGH PERFORMANCE COPPER ALLOY.
 - FINISHES: SELECTIVE GOLD (Au) ON CONTACT AREA, SELECTIVE MATTE TIN (Sn) ON PCB TAILS, NICKEL (Ni) OVERALL.
 - THIS PART CONFORMS TO MOLEX PRODUCT SPECIFICATION PS-75221-999.
 - FOR MIXED CONTACT MATING LENGTHS CONSULT MOLEX FOR AVAILABILITY, CONTACT PAIRS MUST BE THE SAME LENGTH.
 - FOR SPECIFIC PART NUMBER AND MATING INFORMATION PLEASE REFER TO CHART.
 - PACKAGE PER PK-70873-5077.
 - EITHER MARK PART NUMBER AND DATE CODE APPROXIMATELY WHERE SHOWN OR PLACE A LABEL ON THE TUBE.
 - THIS PART CONFORMS TO MOLEX COSMETIC SPECIFICATION PS-45499-002 CLASS B.
 - MAPS (MOLEX ADVANCED PLATING SYSTEM).

75852-0*0*

PIN LENGTH DIM "M"	GOLD (Au) THICKNESS micrometers
0-3.55 mm	0.25 (MAPS)
1-4.55 mm	
2-5.55 mm	
3-3.55 mm	0.76
4-4.55 mm	
5-5.55 mm	1.27
7-3.55 mm	
8-4.55 mm	
9-5.55 mm	

LEAD-FREE PLATING ON SIGNALS & SHIELDS

ADD MAPS EC NO: UCF2013-5239 DRWNSVANG01 2013/06/12 CHYD-MOLEX 2013/06/12 APPR-SMILLER 2014/02/03	QUALITY SYMBOLS ∇=0 ∇=0 ∇=0	GENERAL TOLERANCES (UNLESS SPECIFIED) DIM mm INCH 4 PLACES ±--- ±--- 3 PLACES ±--- ±--- 2 PLACES ±0.25 ±--- 1 PLACE ±0.13 ±--- 0 PLACE ±--- ±--- ANGULAR ±1/2° DRAFT WHERE APPLICABLE MUST REMAIN WITHIN DIMENSIONS	DIMENSION STYLE MM ONLY	SCALE DESIGN UNITS METRIC	DATE JBI INGHAM 2006/01/16 DATE KMULVEY 2006/01/16 DATE APPROVED BY SMILLER 2014/02/03	TITLE GBX 4-PAIR BACKPLANE OPEN END THIN WALL SALES ASSEMBLY molex DOCUMENT NO. SD-75852-010	SHEET NO. 1 OF 1
				MATERIAL NO. SEE CHART	DATE DATE DATE	DATE DATE DATE	DATE DATE DATE
				DATE DATE DATE	DATE DATE DATE	DATE DATE DATE	DATE DATE DATE
				DATE DATE DATE	DATE DATE DATE	DATE DATE DATE	DATE DATE DATE