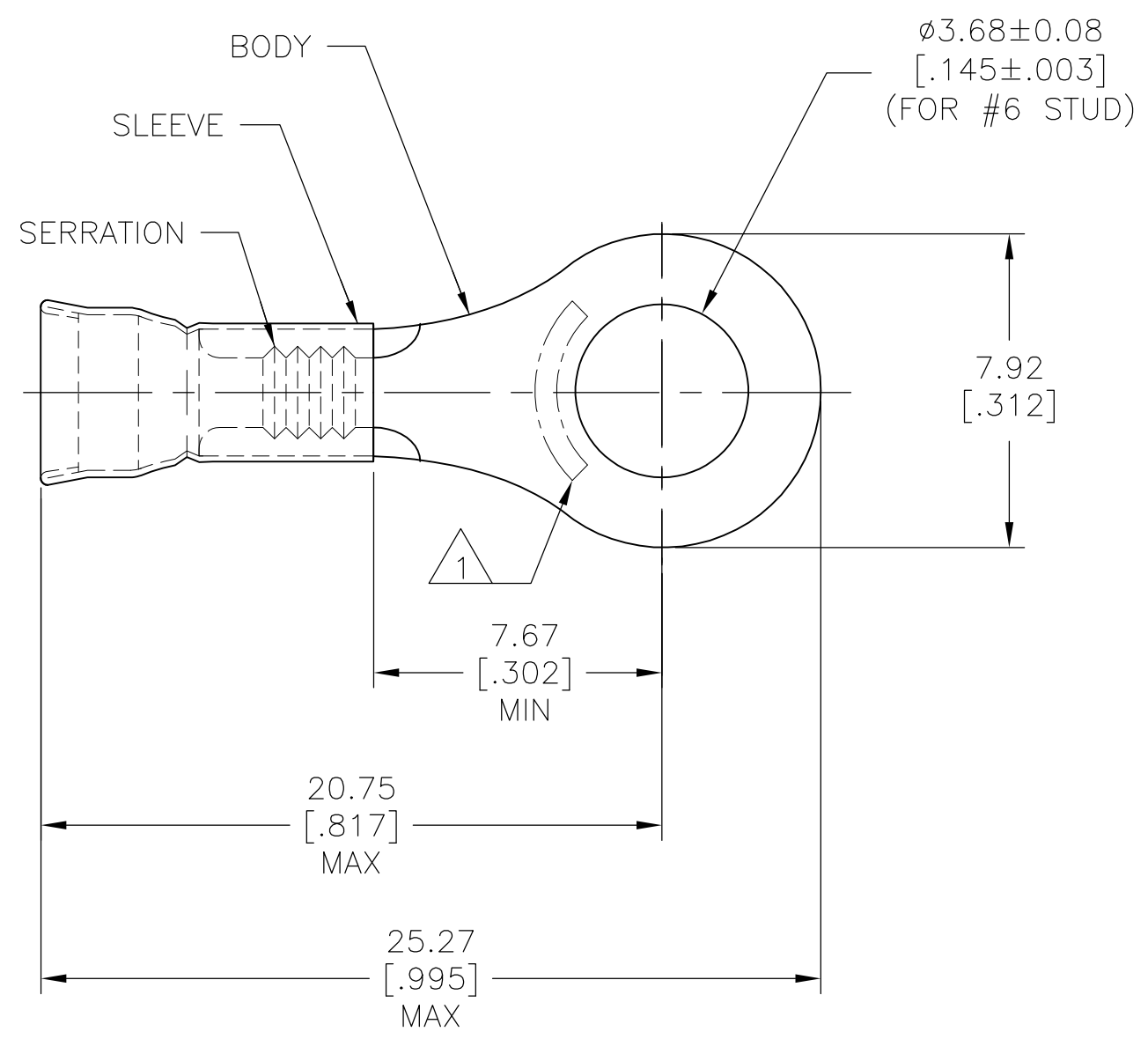


THIS DRAWING IS UNPUBLISHED. RELEASED FOR PUBLICATION
 © COPYRIGHT - By - ALL RIGHTS RESERVED.

LOC	DIST	REVISIONS					
		P	LTR	DESCRIPTION	DATE	DWN	APVD
G	14		F3	REVISED PER ECO-15-002268	17FEB2015	NK	DR



AMP WIRE RANGE	E13288	LR7189 Certified
12-10 AWG SOLID OR STRANDED	12-10 AWG SOLID OR STRANDED	12-10 AWG SOLID OR STRANDED

- 1 STAMP AMP 12-10* LOCATE APPROX AS SHOWN.
- 2 WIRE INSUL DIA 3.81-5.84 [.150-.230].
- 3 TONGUE MATL THK. 1.02 ± 0.05 [.040 ± .002].

2500	ON TAPE & REEL	2-326889-1
500	LOOSE PIECE	326889
QTY	PACKAGE TYPE	PART NO

AMP INCORPORATED CUSTOMER SERVICE SYSTEMS		MAX RECOMMENDED OPERATING TEMPERATURE: 170°C [338°F]	THIS DRAWING IS A CONTROLLED DOCUMENT.		DWN L OLMEDA 23JAN95	TE Connectivity NAME TERMINAL, RING, DIAMOND GRIP, WIRE SIZE, 12-10 AWG	
			DIMENSIONS: mm [INCHES]	TOLERANCES UNLESS OTHERWISE SPECIFIED:	CHK M ELLIS 23JAN95		
VOLTAGE RATING: -		0 PLC ± -	APVD S BORTNER 23JAN95				
CIRCULAR MIL AREA: 2.62mm ² -6.64mm ² [5180-13100]	MATERIAL BODY, CU, SLV, CU PER ASTM B152	1 PLC ± -	PRODUCT SPEC UL486A				
FOR ORDER ENTRY 1-800-526-5142	FINISH TIN PLATE PER MIL-T-10727	2 PLC ± 0.20 [.008]	APPLICATION SPEC -				
FOR ADDITIONAL PRODUCT INFORMATION OR COPIES OF DRAWINGS AND TECHNICAL DOCUMENTS PRODUCT INFORMATION CENTER 1-800-522-6752	FOR APPLICATION TOOLING ASSISTANCE CENTER TOOLING INFORMATION 1-800-722-1111	3 PLC ± -	WEIGHT -	SIZE A3	CAGE CODE 00779	DRAWING NO C-326889	RESTRICTED TO -
CUSTOMER DRAWING				SCALE 6:1	SHEET 1 OF 1	REV F3	