

101HS185
PAGE 1 OF 1

M

DRAWING
NUMBER

4

ISSUE

REPLACES

PR-19328

CHECK

JUL 91

JUL 93

JUL 93

JUL 93

JUL 93

MAR 99

JUL 91

JUL 91

JUL 91

JUL 91

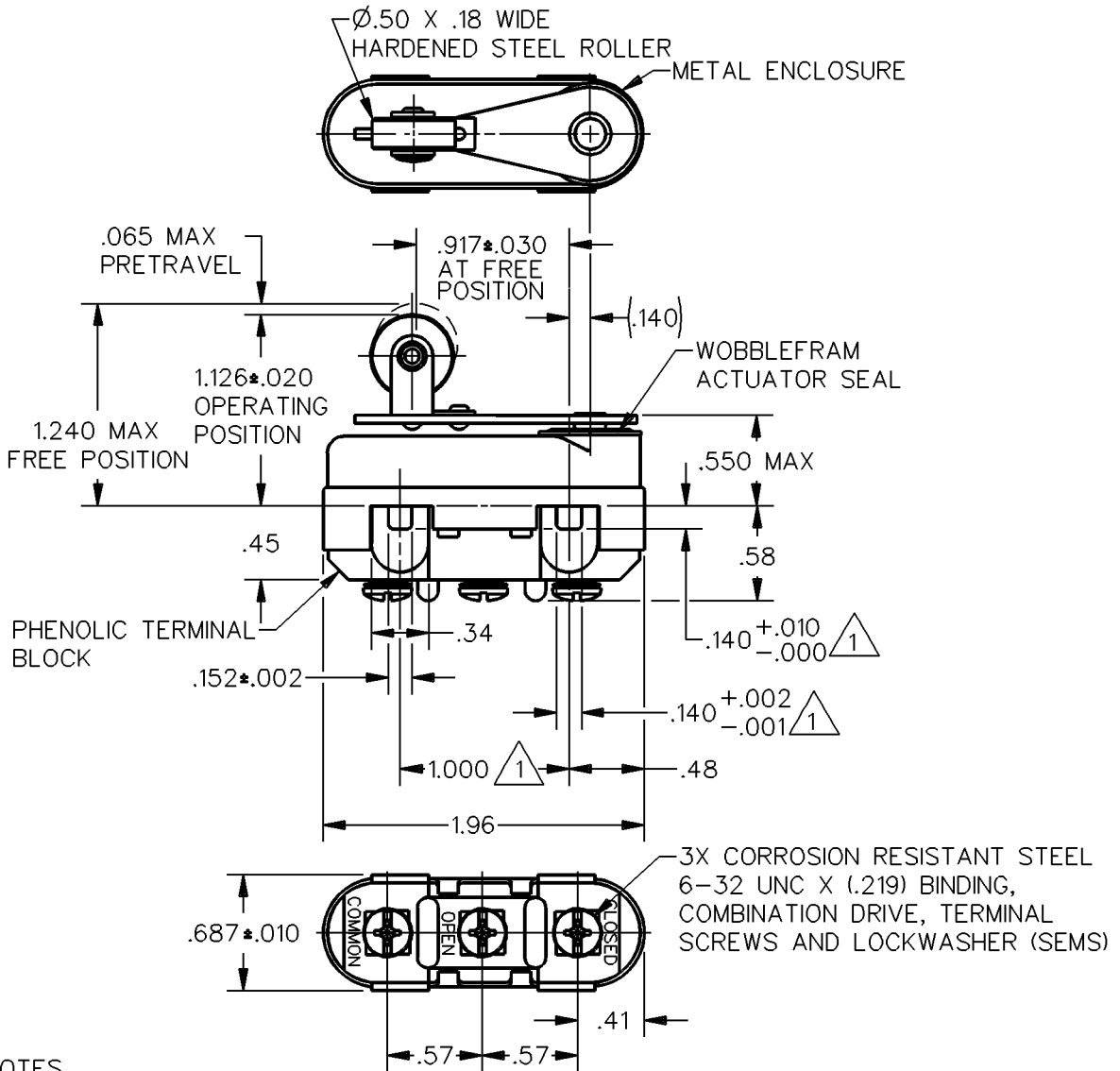
JUL 91

JUN 91

JUN 91

JUN 91

JUN 91



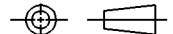
NOTES

- 1 MOUNTING HOLES WILL ACCEPT PINS OR SCREWS OF $\varnothing.139$ MAX ON $1.000 \pm .002$ CENTERS
- 2 - TRAVEL CHARACTERISTICS ARE REFERENCED FROM THE UPPER SURFACE OF MOUNTING HOLES WITH THIS CONSTRUCTION
- 3 - FOR USE IN AMBIENT TEMPERATURE RANGE FROM -65°F TO 300°F

ANSI Y14.5M-1982 APPLIES

THIS DRAWING COVERS A PROPRIETARY ITEM AND IS THE PROPERTY OF MICRO SWITCH, A DIVISION OF HONEYWELL. THIS DRAWING IS NOT TO BE COPIED OR USED WITHOUT THE APPROVAL OF MICRO SWITCH.

THIRD ANGLE PROJECTION



CHARACTERISTICS	ELECTRICAL DATA			SCALE	FULL	DO NOT SCALE PRINT
	CONTACT ARRANGEMENT S P D T			UNLESS OTHERWISE SPECIFIED TOLERANCES ARE		
OPERATING FORCE — — — 10-30 OZ	LINE VOLTAGE	INDUCTIVE LOAD	RESISTIVE LOAD	ONE PLACE	(.01)	±.030
RELEASE FORCE — — — 4 OZ MIN				TWO PLACE	(.00)	±.015
DIFFERENTIAL TRAVEL — — — .020 MAX	28 VDC	8 AMP	15 AMP	THREE PLACE	(.000)	±.005
OVERTRAVEL — — — — .010 MIN	125 VAC	1 AMP	.5 AMP	ANGLES		±
	L277 1A 125 VAC, 5A 28 VDC			WEIGHT	1.8 OZ MAX	

FORMTEK

DRAWN