



PSMN4R2-80YSE

N-channel 80 V, 4.2 mOhm MOSFET with enhanced SOA in LFAK56E

3 September 2021

Product data sheet

1. General description

N-channel enhancement mode MOSFET in a LFAK56E package qualified to 175 °C. Part of Nexperia's "ASFETs for hotswap" portfolio, the PSMN4R2-80YSE delivers very low $R_{DS(on)}$ and a very strong linear-mode (SOA) performance in a high-reliability copper-clip LFAK56E package.

PSMN4R2-80YSE complements the latest "hot-swap" controllers – robust enough to withstand substantial inrush currents during turn-on, low $R_{DS(on)}$ to minimize I^2R losses delivering optimum efficiency when turned fully ON and an 80% smaller footprint than existing D2PAK types.

2. Features and benefits

- Fully optimized Safe Operating Area (SOA) for superior linear mode operation
- Low $R_{DS(on)}$ for low I^2R conduction losses
- LFAK56E package for applications that demand the highest performance and reliability in a 30 mm² footprint

3. Applications

- Hot swap
- Load switch
- Soft start
- E-fuse
- Telecommunication systems based on a 48 V backplane/supply rail

4. Quick reference data

Table 1. Quick reference data

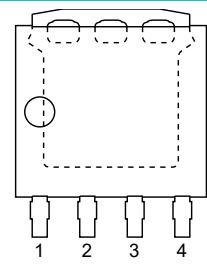
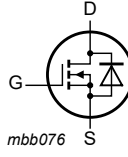
| Symbol | Parameter | Conditions | Min | Typ | Max | Unit |
|--------------------------------|----------------------------------|---|-----|-----|-----|------|
| V_{DS} | drain-source voltage | $25\text{ °C} \leq T_j \leq 175\text{ °C}$ | - | - | 80 | V |
| I_D | drain current | $V_{GS} = 10\text{ V}; T_{mb} = 25\text{ °C};$ Fig. 2 | - | - | 170 | A |
| P_{tot} | total power dissipation | $T_{mb} = 25\text{ °C};$ Fig. 1 | - | - | 294 | W |
| T_j | junction temperature | | -55 | - | 175 | °C |
| Static characteristics | | | | | | |
| $R_{DS(on)}$ | drain-source on-state resistance | $V_{GS} = 10\text{ V}; I_D = 25\text{ A}; T_j = 25\text{ °C};$ Fig. 12 | - | 3.2 | 4.2 | mΩ |
| | | $V_{GS} = 10\text{ V}; I_D = 25\text{ A}; T_j = 100\text{ °C};$ Fig. 13 | - | 4.6 | 6.4 | mΩ |
| Dynamic characteristics | | | | | | |
| Q_{GD} | gate-drain charge | $I_D = 25\text{ A}; V_{DS} = 40\text{ V}; V_{GS} = 10\text{ V};$ $T_j = 25\text{ °C};$ Fig. 14 ; Fig. 15 | 3 | 11 | 26 | nC |
| $Q_{G(tot)}$ | total gate charge | | 37 | 73 | 110 | nC |

| Symbol | Parameter | Conditions | Min | Typ | Max | Unit | |
|-----------------------------|--|--|-----|-----|-----|------|----|
| Avalanche ruggedness | | | | | | | |
| $E_{DS(AL)S}$ | non-repetitive drain-source avalanche energy | $I_D = 57\text{ A}$; $V_{sup} \leq 80\text{ V}$; $R_{GS} = 50\ \Omega$; $V_{GS} = 10\text{ V}$; $T_{j(\text{init})} = 25\text{ }^\circ\text{C}$; unclamped; $t_p = 126\ \mu\text{s}$; Fig. 4 | [1] | - | - | 374 | mJ |
| Source-drain diode | | | | | | | |
| Q_r | recovered charge | $I_S = 25\text{ A}$; $di_S/dt = -100\text{ A}/\mu\text{s}$; $V_{GS} = 0\text{ V}$; $V_{DS} = 40\text{ V}$; $T_j = 25\text{ }^\circ\text{C}$; Fig. 18 | - | 35 | - | nC | |

[1] Protected by 100% test

5. Pinning information

Table 2. Pinning information

| Pin | Symbol | Description | Simplified outline | Graphic symbol |
|-----|--------|-----------------------------------|--|---|
| 1 | S | source |  <p>LPAK56E; Power-SO8 (SOT1023)</p> |  <p>mbb076</p> |
| 2 | S | source | | |
| 3 | S | source | | |
| 4 | G | gate | | |
| mb | D | mounting base; connected to drain | | |

6. Ordering information

Table 3. Ordering information

| Type number | Package | | Version |
|---------------|--------------------|--|---------|
| | Name | Description | |
| PSMN4R2-80YSE | LPAK56E; Power-SO8 | plastic, single-ended surface-mounted package (LPAK56); 4 leads; 1.27 mm pitch | SOT1023 |

7. Marking

Table 4. Marking codes

| Type number | Marking code |
|---------------|--------------|
| PSMN4R2-80YSE | 4E2S80J |

8. Limiting values

Table 5. Limiting values

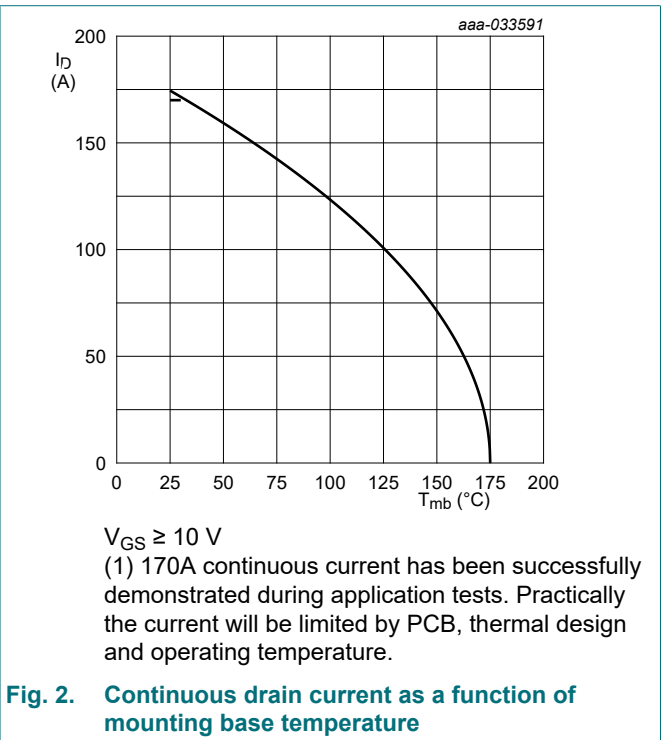
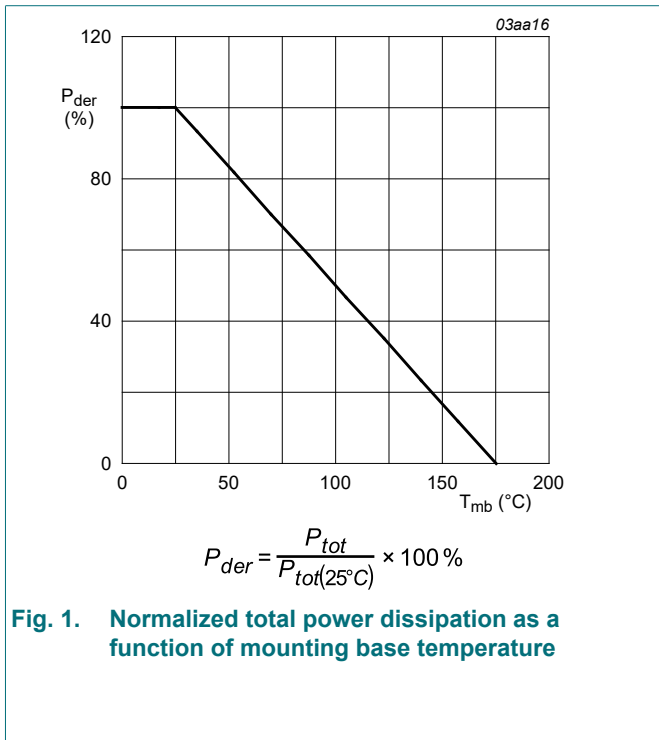
In accordance with the Absolute Maximum Rating System (IEC 60134).

| Symbol | Parameter | Conditions | Min | Max | Unit |
|-----------|-------------------------|---|-----|-----|------|
| V_{DS} | drain-source voltage | $25\text{ }^\circ\text{C} \leq T_j \leq 175\text{ }^\circ\text{C}$ | - | 80 | V |
| V_{DGR} | drain-gate voltage | $25\text{ }^\circ\text{C} \leq T_j \leq 175\text{ }^\circ\text{C}$; $R_{GS} = 20\text{ k}\Omega$ | - | 80 | V |
| V_{GS} | gate-source voltage | | -20 | 20 | V |
| P_{tot} | total power dissipation | $T_{mb} = 25\text{ }^\circ\text{C}$; Fig. 1 | - | 294 | W |

N-channel 80 V, 4.2 mOhm MOSFET with enhanced SOA in LPAK56E

| Symbol | Parameter | Conditions | Min | Max | Unit |
|-----------------------------|--|--|-----|-----|--------|
| I _D | drain current | V _{GS} = 10 V; T _{mb} = 25 °C; Fig. 2 | - | 170 | A |
| | | V _{GS} = 10 V; T _{mb} = 100 °C; Fig. 2 | - | 123 | A |
| I _{DM} | peak drain current | pulsed; t _p ≤ 10 μs; T _{mb} = 25 °C; Fig. 3 | - | 698 | A |
| T _{stg} | storage temperature | | -55 | 175 | °C |
| T _j | junction temperature | | -55 | 175 | °C |
| T _{slid(M)} | peak soldering temperature | | - | 260 | °C |
| Source-drain diode | | | | | |
| I _S | source current | T _{mb} = 25 °C | - | 170 | A |
| I _{SM} | peak source current | pulsed; t _p ≤ 10 μs; T _{mb} = 25 °C | - | 698 | A |
| Avalanche ruggedness | | | | | |
| E _{DS(AL)S} | non-repetitive drain-source avalanche energy | I _D = 57 A; V _{sup} ≤ 80 V; R _{GS} = 50 Ω; V _{GS} = 10 V; T _{j(init)} = 25 °C; unclamped; t _p = 126 μs; Fig. 4 | [1] | - | 374 mJ |
| I _{AS} | non-repetitive avalanche current | V _{sup} = 80 V; V _{GS} = 10 V; T _{j(init)} = 25 °C; R _{GS} = 50 Ω | [1] | - | 57 A |

[1] Protected by 100% test



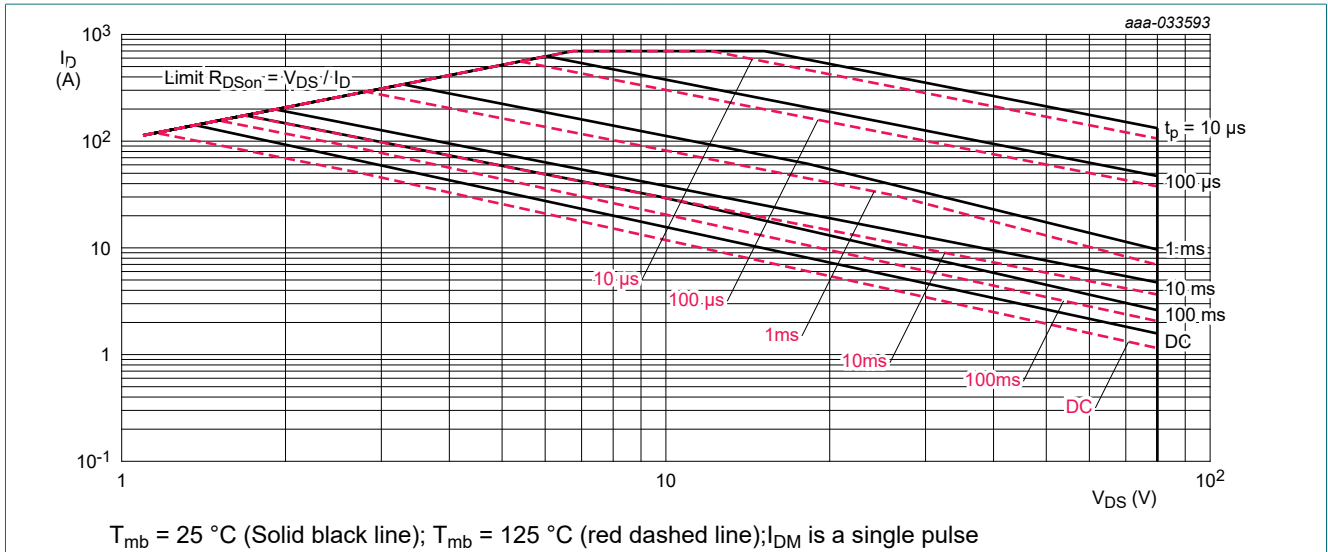


Fig. 3. Safe operating area; continuous and peak drain currents as a function of drain-source voltage

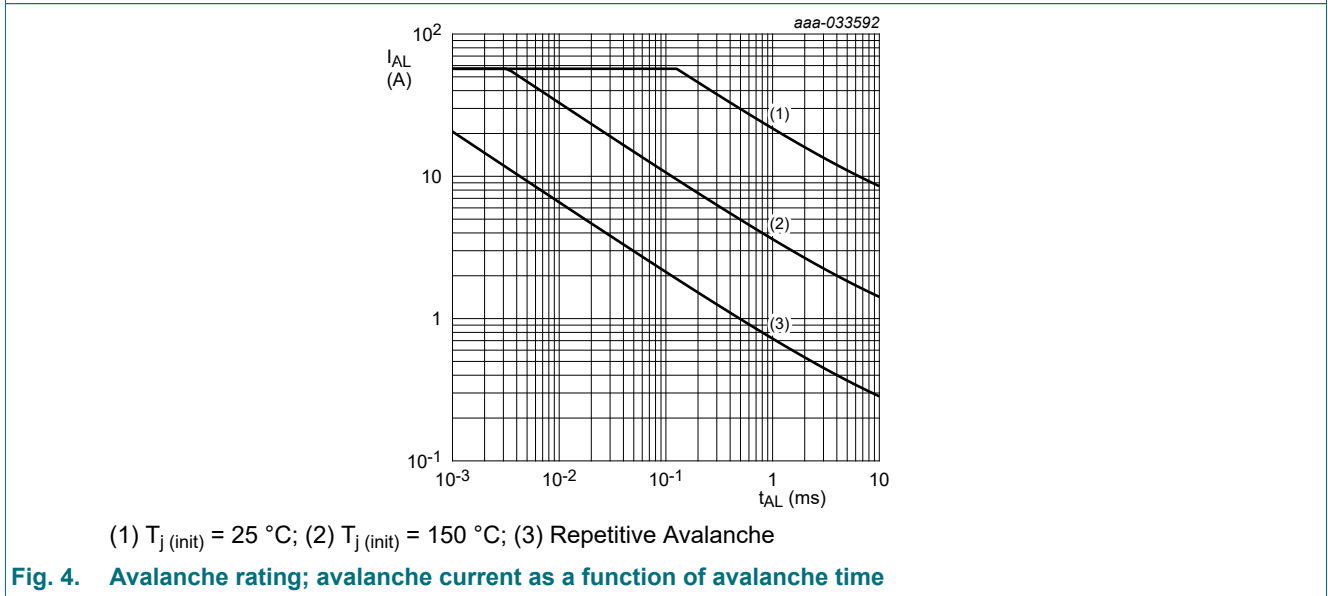


Fig. 4. Avalanche rating; avalanche current as a function of avalanche time

9. Thermal characteristics

Table 6. Thermal characteristics

| Symbol | Parameter | Conditions | Min | Typ | Max | Unit |
|----------------|---|------------------------|-----|------|------|------|
| $R_{th(j-mb)}$ | thermal resistance from junction to mounting base | Fig. 5 | - | 0.45 | 0.51 | K/W |
| $R_{th(j-a)}$ | thermal resistance from junction to ambient | Fig. 6 | - | 42 | - | K/W |
| | | Fig. 7 | - | 85 | - | K/W |

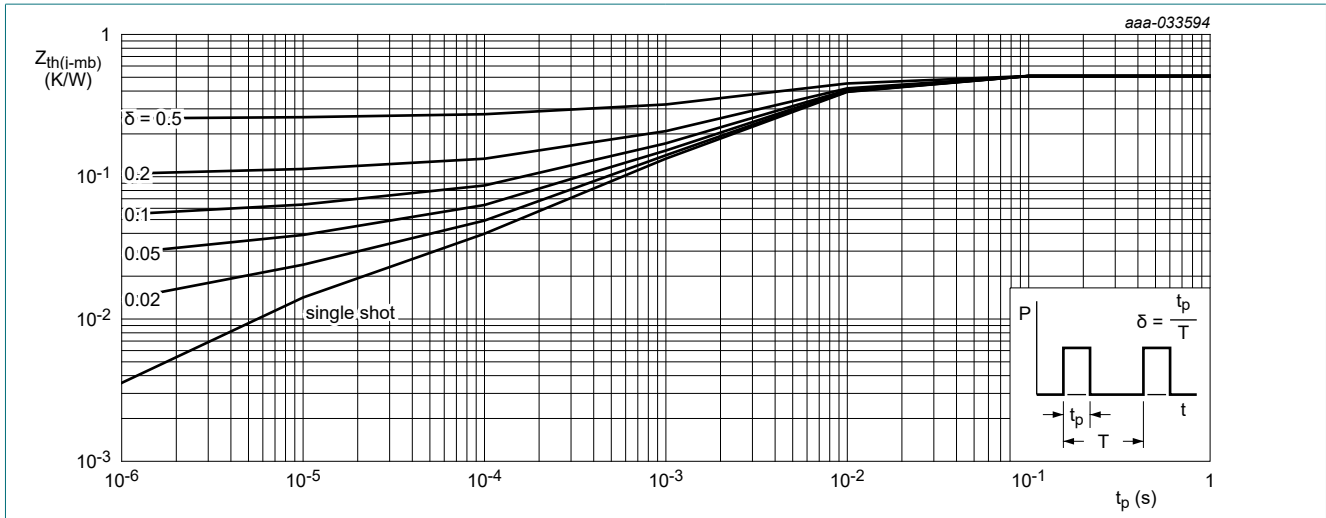


Fig. 5. Transient thermal impedance from junction to mounting base as a function of pulse duration

aaa-027933

Copper area 25.4 mm square; 70 μm thick on FR4 board

aaa-027935

70 μm thick copper on FR4 board

Fig. 6. PCB layout for thermal resistance from junction to ambient

Fig. 7. PCB layout with minimum footprint for thermal resistance from junction to ambient

10. Characteristics

Table 7. Characteristics

| Symbol | Parameter | Conditions | Min | Typ | Max | Unit |
|-------------------------------|--|---|-----|------|-----|------|
| Static characteristics | | | | | | |
| $V_{(BR)DSS}$ | drain-source breakdown voltage | $I_D = 250 \mu A; V_{GS} = 0 V; T_j = 25 \text{ }^\circ C$ | 80 | - | - | V |
| | | $I_D = 250 \mu A; V_{GS} = 0 V; T_j = -55 \text{ }^\circ C$ | 72 | - | - | V |
| $V_{GS(th)}$ | gate-source threshold voltage | $I_D = 1 \text{ mA}; V_{DS}=V_{GS}; T_j = 25 \text{ }^\circ C; \text{ Fig. 11}$ | 2 | 2.6 | 3.6 | V |
| | | $I_D = 1 \text{ mA}; V_{DS}=V_{GS}; T_j = 175 \text{ }^\circ C$ | - | 1.6 | - | V |
| | | $I_D = 1 \text{ mA}; V_{DS}=V_{GS}; T_j = -55 \text{ }^\circ C$ | - | 3 | - | V |
| $\Delta V_{GS(th)}/\Delta T$ | gate-source threshold voltage variation with temperature | $25 \text{ }^\circ C \leq T_j \leq 150 \text{ }^\circ C$ | - | -6.1 | - | mV/K |
| I_{DSS} | drain leakage current | $V_{DS} = 80 \text{ V}; V_{GS} = 0 \text{ V}; T_j = 25 \text{ }^\circ C$ | - | 0.02 | 1 | μA |
| | | $V_{DS} = 80 \text{ V}; V_{GS} = 0 \text{ V}; T_j = 125 \text{ }^\circ C$ | - | 5.5 | 100 | μA |
| I_{GSS} | gate leakage current | $V_{GS} = 20 \text{ V}; V_{DS} = 0 \text{ V}; T_j = 25 \text{ }^\circ C$ | - | 2 | 100 | nA |
| | | $V_{GS} = -20 \text{ V}; V_{DS} = 0 \text{ V}; T_j = 25 \text{ }^\circ C$ | - | 2 | 100 | nA |

N-channel 80 V, 4.2 mOhm MOSFET with enhanced SOA in LPAK56E

| Symbol | Parameter | Conditions | Min | Typ | Max | Unit |
|--------------------------------|-----------------------------------|---|------|------|------|------------|
| R_{DSon} | drain-source on-state resistance | $V_{GS} = 10\text{ V}; I_D = 25\text{ A}; T_J = 25\text{ }^\circ\text{C};$ Fig. 12 | - | 3.2 | 4.2 | m Ω |
| | | $V_{GS} = 10\text{ V}; I_D = 25\text{ A}; T_J = 100\text{ }^\circ\text{C};$ Fig. 13 | - | 4.6 | 6.4 | m Ω |
| | | $V_{GS} = 10\text{ V}; I_D = 25\text{ A}; T_J = 175\text{ }^\circ\text{C};$ Fig. 13 | - | 6.3 | 9.3 | m Ω |
| R_G | gate resistance | $f = 1\text{ MHz}; T_J = 25\text{ }^\circ\text{C}$ | 0.52 | 1.04 | 2.08 | Ω |
| Dynamic characteristics | | | | | | |
| $Q_{G(tot)}$ | total gate charge | $I_D = 25\text{ A}; V_{DS} = 40\text{ V}; V_{GS} = 10\text{ V};$ $T_J = 25\text{ }^\circ\text{C};$ Fig. 14; Fig. 15 | 37 | 73 | 110 | nC |
| | | $I_D = 0\text{ A}; V_{DS} = 0\text{ V}; V_{GS} = 10\text{ V};$ $T_J = 25\text{ }^\circ\text{C}$ | - | 40 | - | nC |
| Q_{GS} | gate-source charge | $I_D = 25\text{ A}; V_{DS} = 40\text{ V}; V_{GS} = 10\text{ V};$ $T_J = 25\text{ }^\circ\text{C};$ Fig. 14; Fig. 15 | 18 | 31 | 43 | nC |
| $Q_{GS(th)}$ | pre-threshold gate-source charge | | - | 16.2 | - | nC |
| $Q_{GS(th-pl)}$ | post-threshold gate-source charge | | - | 14.8 | - | nC |
| Q_{GD} | gate-drain charge | | 3 | 11 | 26 | nC |
| $V_{GS(pl)}$ | gate-source plateau voltage | $I_D = 25\text{ A}; V_{DS} = 40\text{ V}; T_J = 25\text{ }^\circ\text{C};$ Fig. 14; Fig. 15 | - | 5.6 | - | V |
| C_{iss} | input capacitance | $V_{DS} = 40\text{ V}; V_{GS} = 0\text{ V}; f = 0.5\text{ MHz};$ $T_J = 25\text{ }^\circ\text{C};$ Fig. 16 | 3429 | 5714 | 8000 | pF |
| C_{oss} | output capacitance | | 893 | 1488 | 2381 | pF |
| C_{rss} | reverse transfer capacitance | | 5 | 55 | 164 | pF |
| $t_{d(on)}$ | turn-on delay time | $V_{DS} = 40\text{ V}; R_L = 1.6\text{ }^\Omega; V_{GS} = 10\text{ V};$ $R_{G(ext)} = 5\text{ }^\Omega; T_J = 25\text{ }^\circ\text{C}$ | - | 23 | - | ns |
| t_r | rise time | | - | 25 | - | ns |
| $t_{d(off)}$ | turn-off delay time | | - | 32 | - | ns |
| t_f | fall time | | - | 24 | - | ns |
| Source-drain diode | | | | | | |
| V_{SD} | source-drain voltage | $I_S = 25\text{ A}; V_{GS} = 0\text{ V}; T_J = 25\text{ }^\circ\text{C};$ Fig. 17 | - | 0.81 | 1 | V |
| t_{rr} | reverse recovery time | $I_S = 25\text{ A}; di_S/dt = -100\text{ A}/\mu\text{s}; V_{GS} = 0\text{ V};$ $V_{DS} = 40\text{ V}; T_J = 25\text{ }^\circ\text{C};$ Fig. 18 | - | 38 | - | ns |
| Q_r | recovered charge | | - | 35 | - | nC |

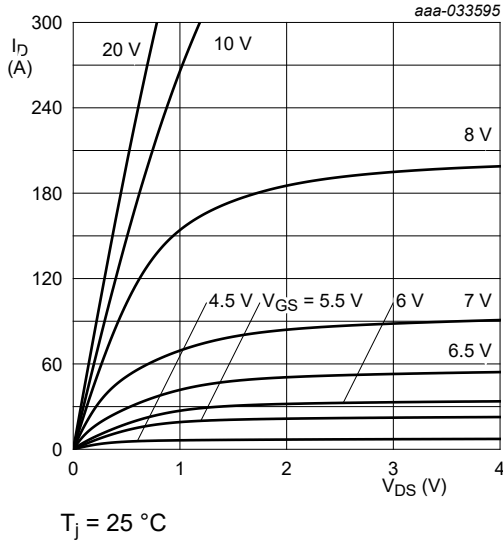


Fig. 8. Output characteristics; drain current as a function of drain-source voltage; typical values

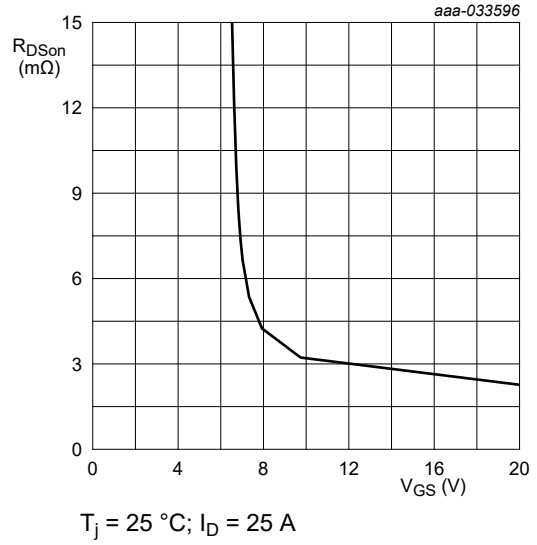


Fig. 9. Drain-source on-state resistance as a function of gate-source voltage; typical values

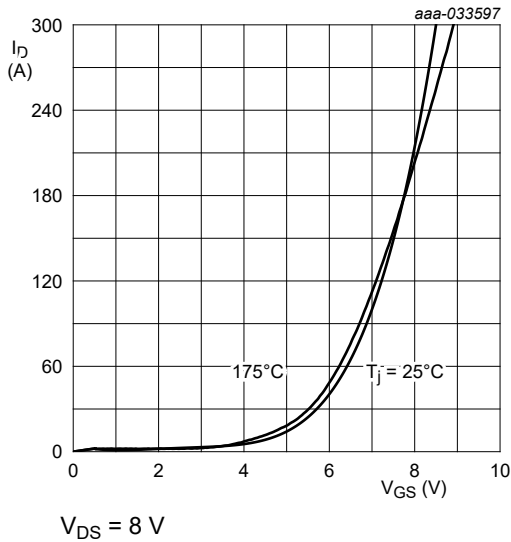


Fig. 10. Transfer characteristics; drain current as a function of gate-source voltage; typical values

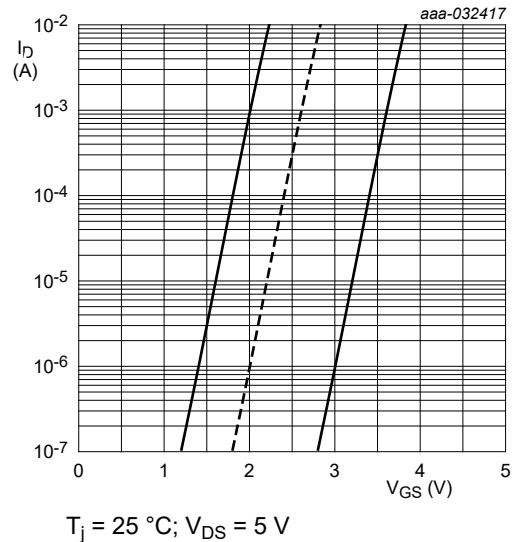


Fig. 11. Sub-threshold drain current as a function of gate-source voltage

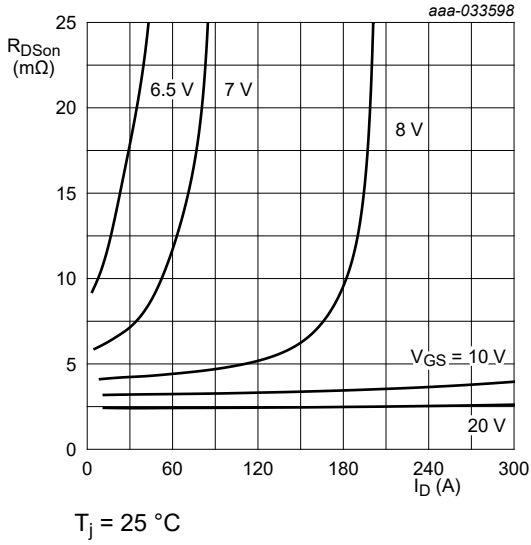
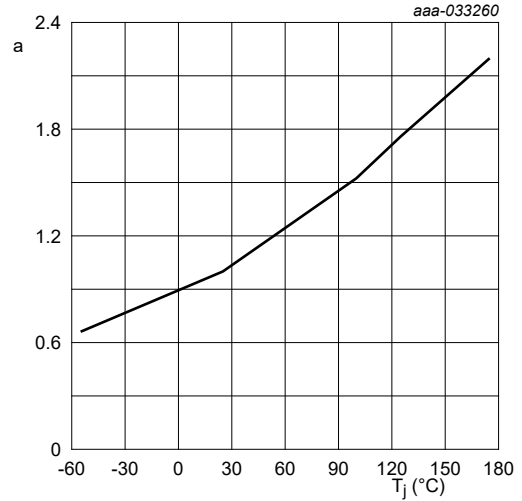


Fig. 12. Drain-source on-state resistance as a function of drain current; typical values



$$a = \frac{R_{DS(on)}}{R_{DS(on), (25^\circ\text{C})}}$$

Fig. 13. Normalized drain-source on-state resistance factor as a function of junction temperature

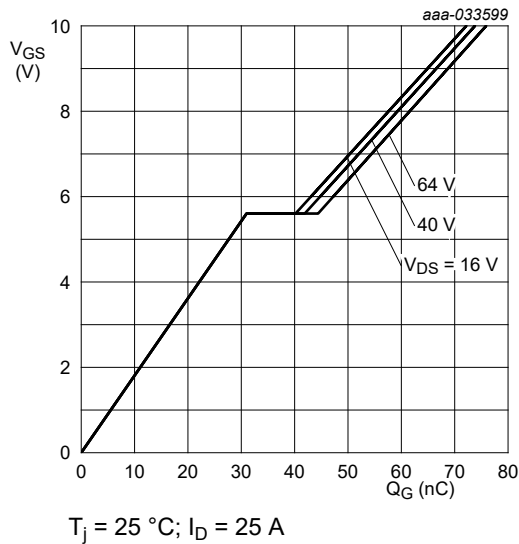


Fig. 14. Gate-source voltage as a function of gate charge; typical values

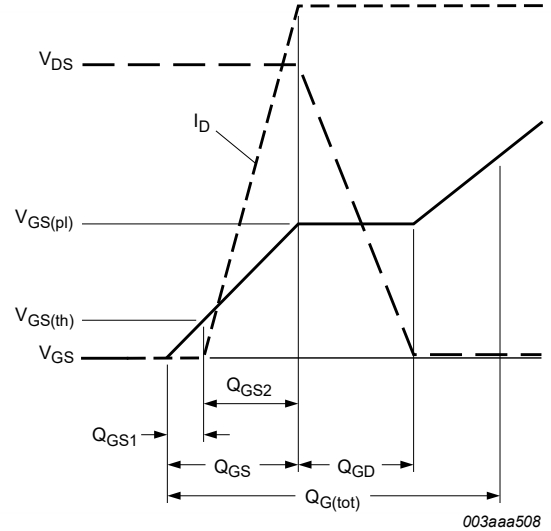


Fig. 15. Gate charge waveform definitions

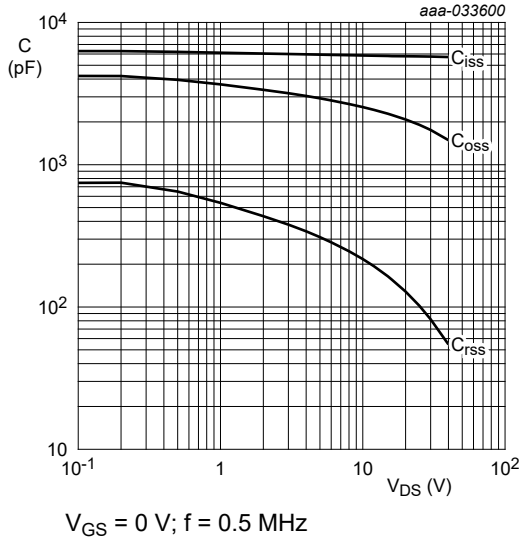


Fig. 16. Input, output and reverse transfer capacitances as a function of drain-source voltage; typical values

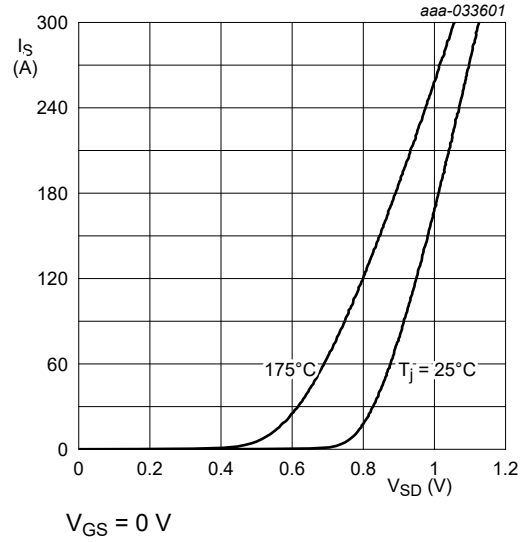


Fig. 17. Source-drain (diode forward) current as a function of source-drain (diode forward) voltage; typical values

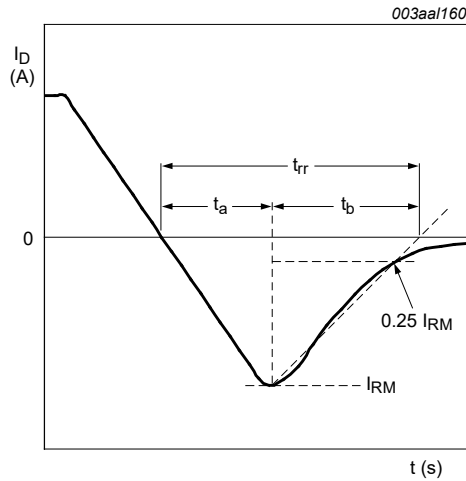


Fig. 18. Reverse recovery timing definition

11. Package outline

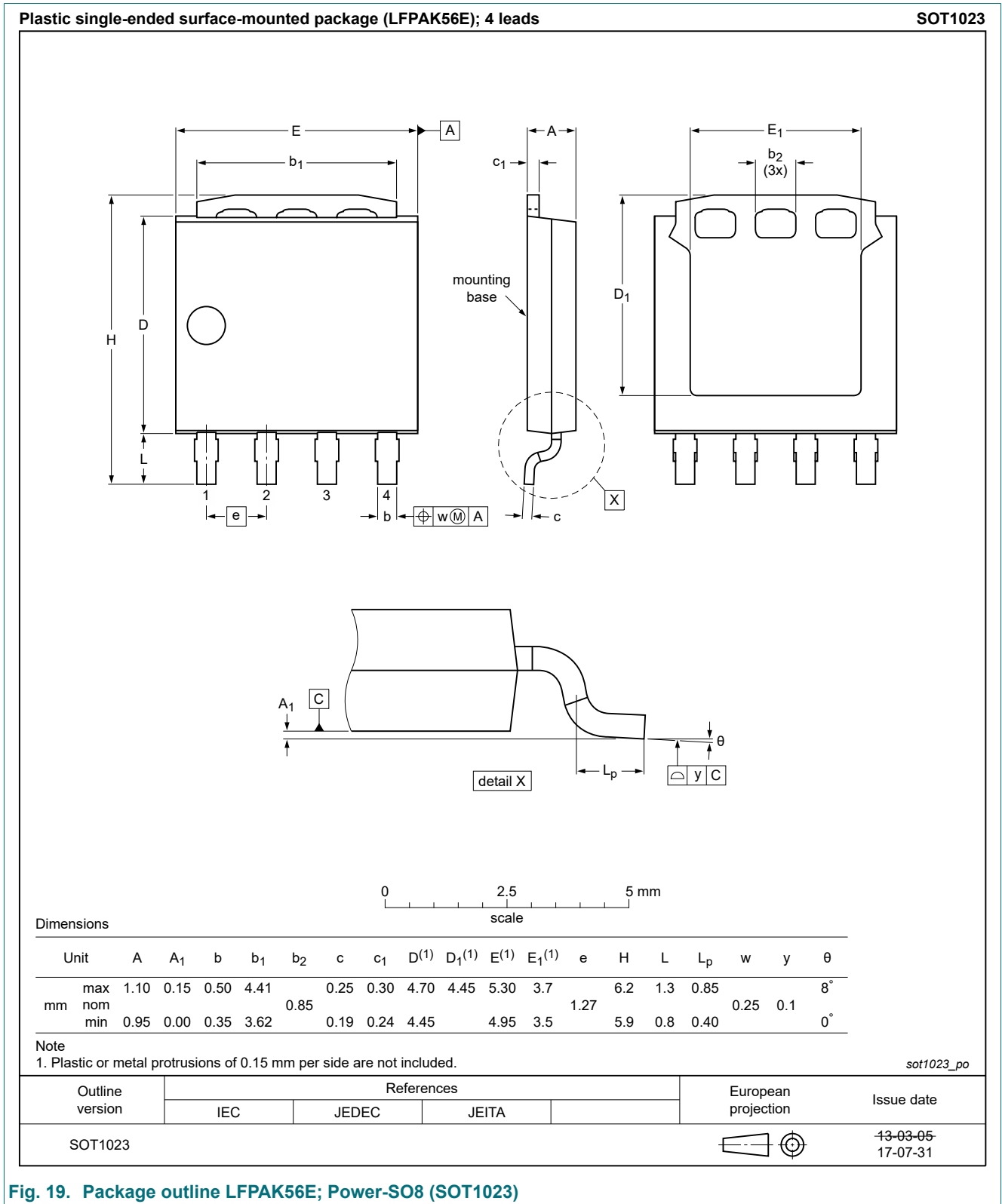


Fig. 19. Package outline LPAK56E; Power-SO8 (SOT1023)

12. Soldering

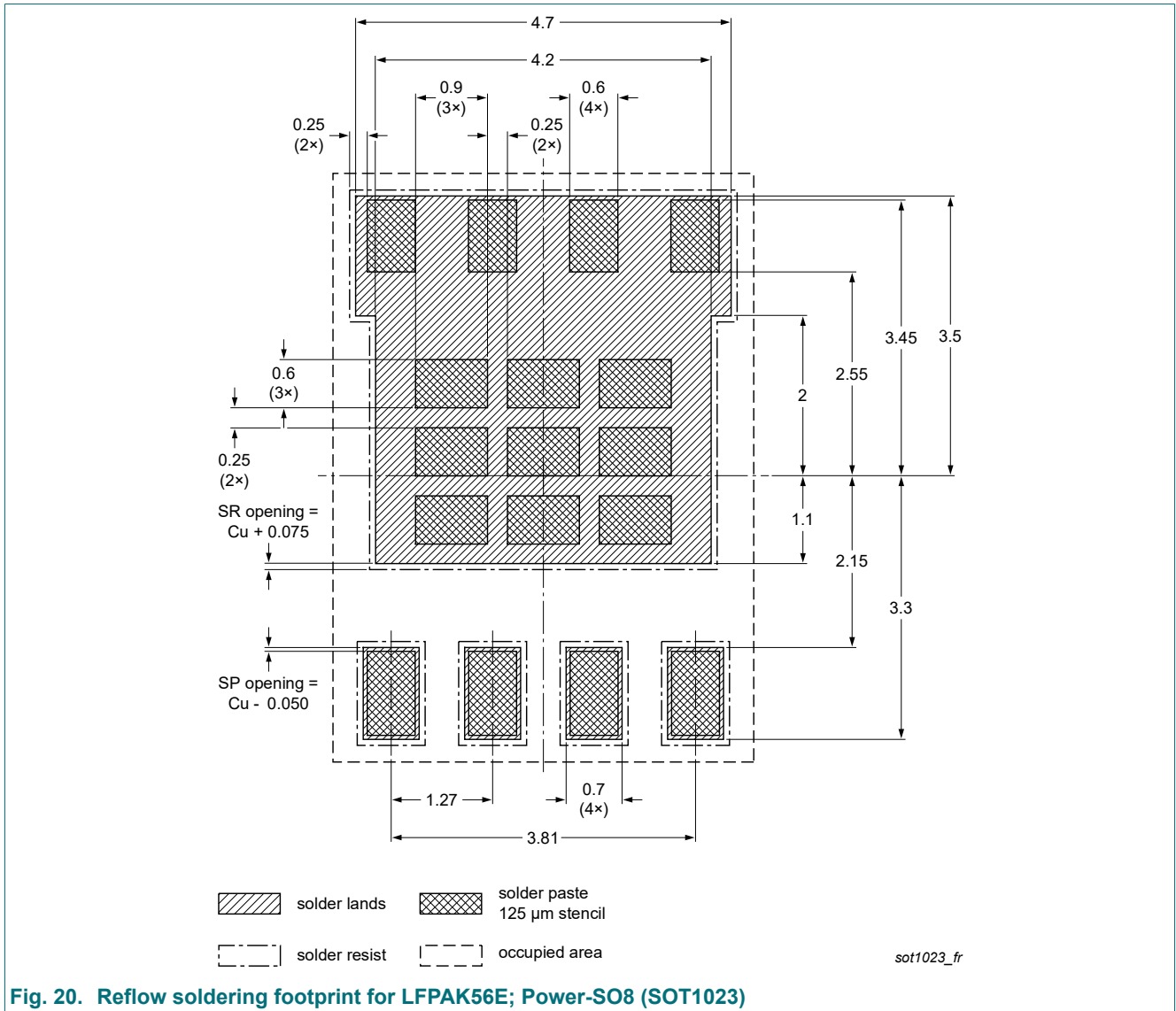


Fig. 20. Reflow soldering footprint for LPAK56E; Power-SO8 (SOT1023)

13. Legal information

Data sheet status

| Document status [1][2] | Product status [3] | Definition |
|--------------------------------|--------------------|---|
| Objective [short] data sheet | Development | This document contains data from the objective specification for product development. |
| Preliminary [short] data sheet | Qualification | This document contains data from the preliminary specification. |
| Product [short] data sheet | Production | This document contains the product specification. |

- [1] Please consult the most recently issued document before initiating or completing a design.
- [2] The term 'short data sheet' is explained in section "Definitions".
- [3] The product status of device(s) described in this document may have changed since this document was published and may differ in case of multiple devices. The latest product status information is available on the internet at <https://www.nexperia.com>.

Definitions

Draft — The document is a draft version only. The content is still under internal review and subject to formal approval, which may result in modifications or additions. Nexperia does not give any representations or warranties as to the accuracy or completeness of information included herein and shall have no liability for the consequences of use of such information.

Short data sheet — A short data sheet is an extract from a full data sheet with the same product type number(s) and title. A short data sheet is intended for quick reference only and should not be relied upon to contain detailed and full information. For detailed and full information see the relevant full data sheet, which is available on request via the local Nexperia sales office. In case of any inconsistency or conflict with the short data sheet, the full data sheet shall prevail.

Product specification — The information and data provided in a Product data sheet shall define the specification of the product as agreed between Nexperia and its customer, unless Nexperia and customer have explicitly agreed otherwise in writing. In no event however, shall an agreement be valid in which the Nexperia product is deemed to offer functions and qualities beyond those described in the Product data sheet.

Disclaimers

Limited warranty and liability — Information in this document is believed to be accurate and reliable. However, Nexperia does not give any representations or warranties, expressed or implied, as to the accuracy or completeness of such information and shall have no liability for the consequences of use of such information. Nexperia takes no responsibility for the content in this document if provided by an information source outside of Nexperia.

In no event shall Nexperia be liable for any indirect, incidental, punitive, special or consequential damages (including - without limitation - lost profits, lost savings, business interruption, costs related to the removal or replacement of any products or rework charges) whether or not such damages are based on tort (including negligence), warranty, breach of contract or any other legal theory.

Notwithstanding any damages that customer might incur for any reason whatsoever, Nexperia's aggregate and cumulative liability towards customer for the products described herein shall be limited in accordance with the Terms and conditions of commercial sale of Nexperia.

Right to make changes — Nexperia reserves the right to make changes to information published in this document, including without limitation specifications and product descriptions, at any time and without notice. This document supersedes and replaces all information supplied prior to the publication hereof.

Suitability for use — Nexperia products are not designed, authorized or warranted to be suitable for use in life support, life-critical or safety-critical systems or equipment, nor in applications where failure or malfunction of an Nexperia product can reasonably be expected to result in personal

injury, death or severe property or environmental damage. Nexperia and its suppliers accept no liability for inclusion and/or use of Nexperia products in such equipment or applications and therefore such inclusion and/or use is at the customer's own risk.

Quick reference data — The Quick reference data is an extract of the product data given in the Limiting values and Characteristics sections of this document, and as such is not complete, exhaustive or legally binding.

Applications — Applications that are described herein for any of these products are for illustrative purposes only. Nexperia makes no representation or warranty that such applications will be suitable for the specified use without further testing or modification.

Customers are responsible for the design and operation of their applications and products using Nexperia products, and Nexperia accepts no liability for any assistance with applications or customer product design. It is customer's sole responsibility to determine whether the Nexperia product is suitable and fit for the customer's applications and products planned, as well as for the planned application and use of customer's third party customer(s). Customers should provide appropriate design and operating safeguards to minimize the risks associated with their applications and products.

Nexperia does not accept any liability related to any default, damage, costs or problem which is based on any weakness or default in the customer's applications or products, or the application or use by customer's third party customer(s). Customer is responsible for doing all necessary testing for the customer's applications and products using Nexperia products in order to avoid a default of the applications and the products or of the application or use by customer's third party customer(s). Nexperia does not accept any liability in this respect.

Limiting values — Stress above one or more limiting values (as defined in the Absolute Maximum Ratings System of IEC 60134) will cause permanent damage to the device. Limiting values are stress ratings only and (proper) operation of the device at these or any other conditions above those given in the Recommended operating conditions section (if present) or the Characteristics sections of this document is not warranted. Constant or repeated exposure to limiting values will permanently and irreversibly affect the quality and reliability of the device.

Terms and conditions of commercial sale — Nexperia products are sold subject to the general terms and conditions of commercial sale, as published at <http://www.nexperia.com/profile/terms>, unless otherwise agreed in a valid written individual agreement. In case an individual agreement is concluded only the terms and conditions of the respective agreement shall apply. Nexperia hereby expressly objects to applying the customer's general terms and conditions with regard to the purchase of Nexperia products by customer.

No offer to sell or license — Nothing in this document may be interpreted or construed as an offer to sell products that is open for acceptance or the grant, conveyance or implication of any license under any copyrights, patents or other industrial or intellectual property rights.

Export control — This document as well as the item(s) described herein may be subject to export control regulations. Export might require a prior authorization from competent authorities.

Non-automotive qualified products — Unless this data sheet expressly states that this specific Nexperia product is automotive qualified, the product is not suitable for automotive use. It is neither qualified nor tested in accordance with automotive testing or application requirements. Nexperia accepts no liability for inclusion and/or use of non-automotive qualified products in automotive equipment or applications.

In the event that customer uses the product for design-in and use in automotive applications to automotive specifications and standards, customer (a) shall use the product without Nexperia's warranty of the product for such automotive applications, use and specifications, and (b) whenever customer uses the product for automotive applications beyond Nexperia's specifications such use shall be solely at customer's own risk, and (c) customer fully indemnifies Nexperia for any liability, damages or failed product claims resulting from customer design and use of the product for automotive applications beyond Nexperia's standard warranty and Nexperia's product specifications.

Translations — A non-English (translated) version of a document is for reference only. The English version shall prevail in case of any discrepancy between the translated and English versions.

Trademarks

Notice: All referenced brands, product names, service names and trademarks are the property of their respective owners.

Contents

| | |
|---------------------------------|----|
| 1. General description..... | 1 |
| 2. Features and benefits..... | 1 |
| 3. Applications..... | 1 |
| 4. Quick reference data..... | 1 |
| 5. Pinning information..... | 2 |
| 6. Ordering information..... | 2 |
| 7. Marking..... | 2 |
| 8. Limiting values..... | 2 |
| 9. Thermal characteristics..... | 4 |
| 10. Characteristics..... | 5 |
| 11. Package outline..... | 10 |
| 12. Soldering..... | 11 |
| 13. Legal information..... | 12 |

© Nexperia B.V. 2021. All rights reserved

For more information, please visit: <http://www.nexperia.com>

For sales office addresses, please send an email to: salesaddresses@nexperia.com

Date of release: 3 September 2021
