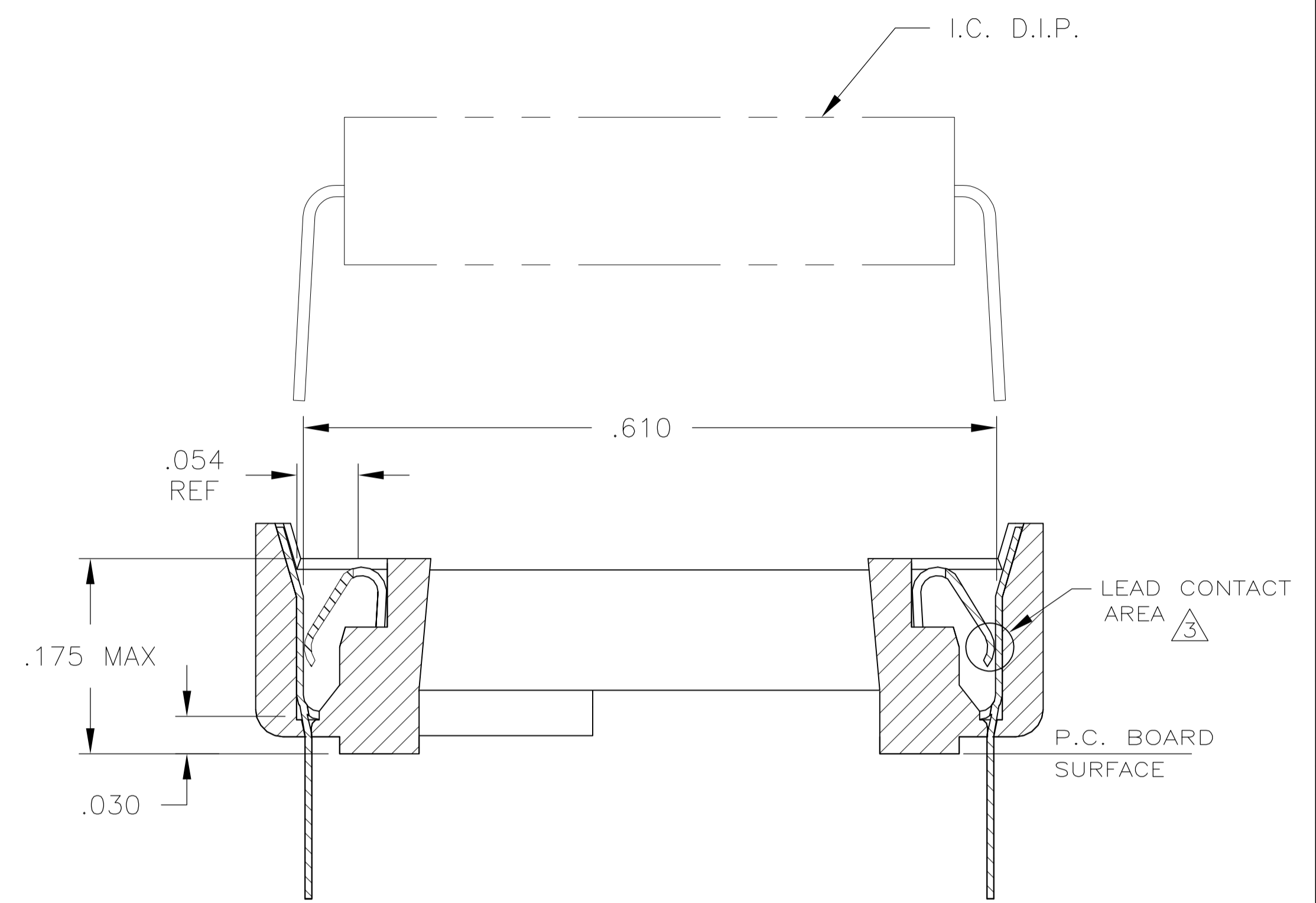
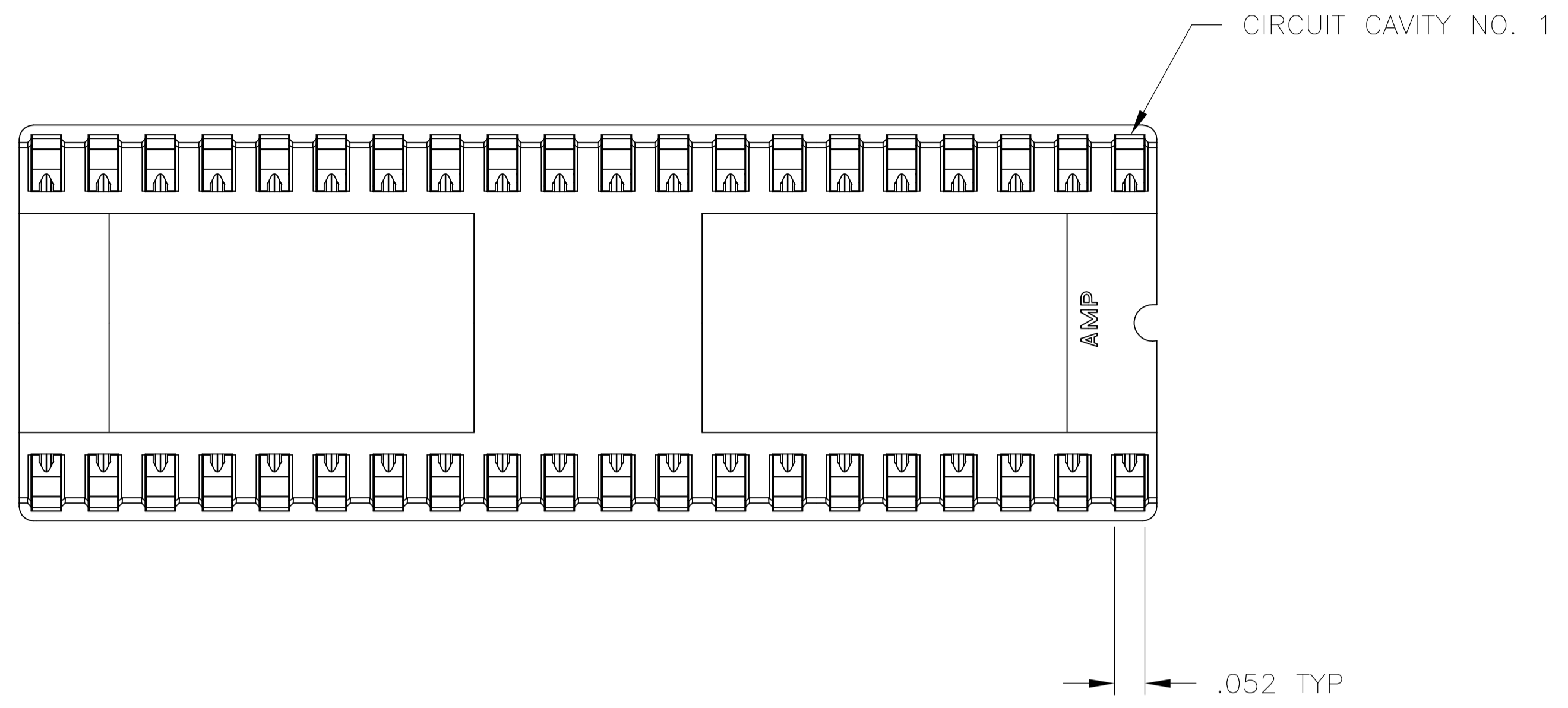
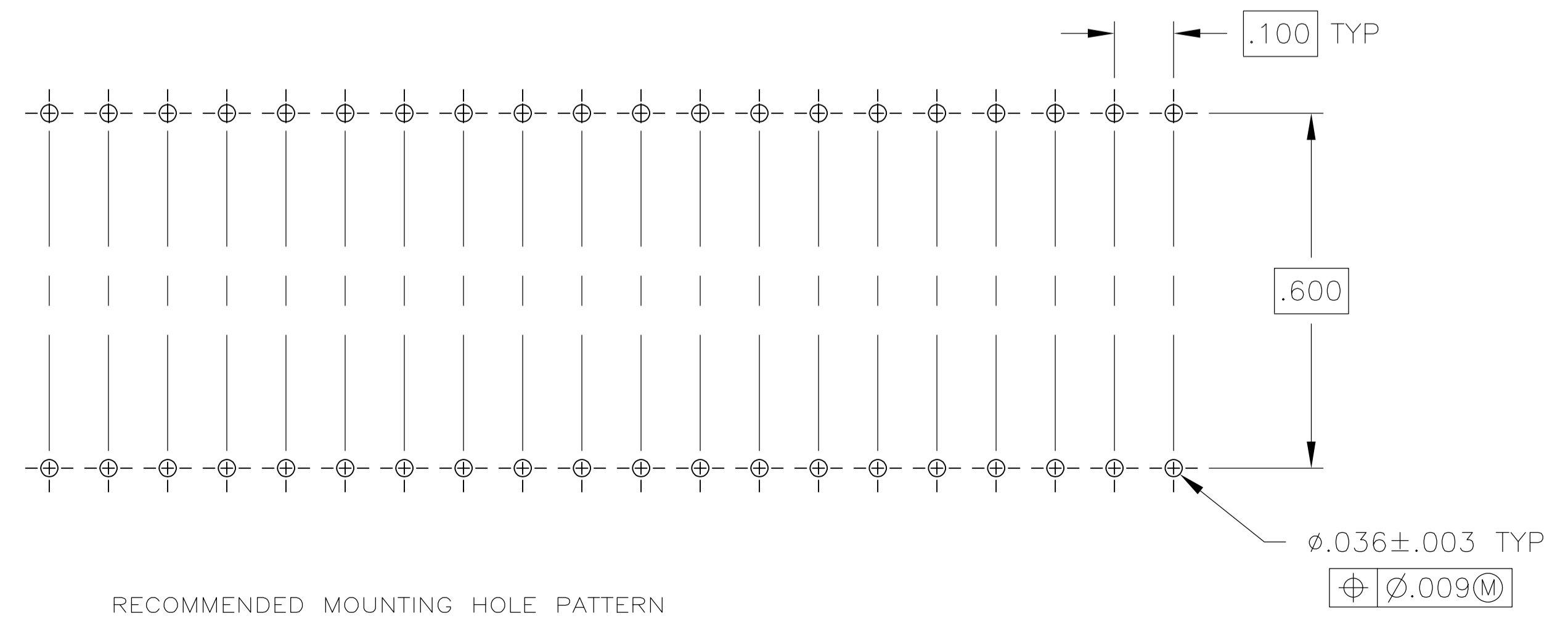
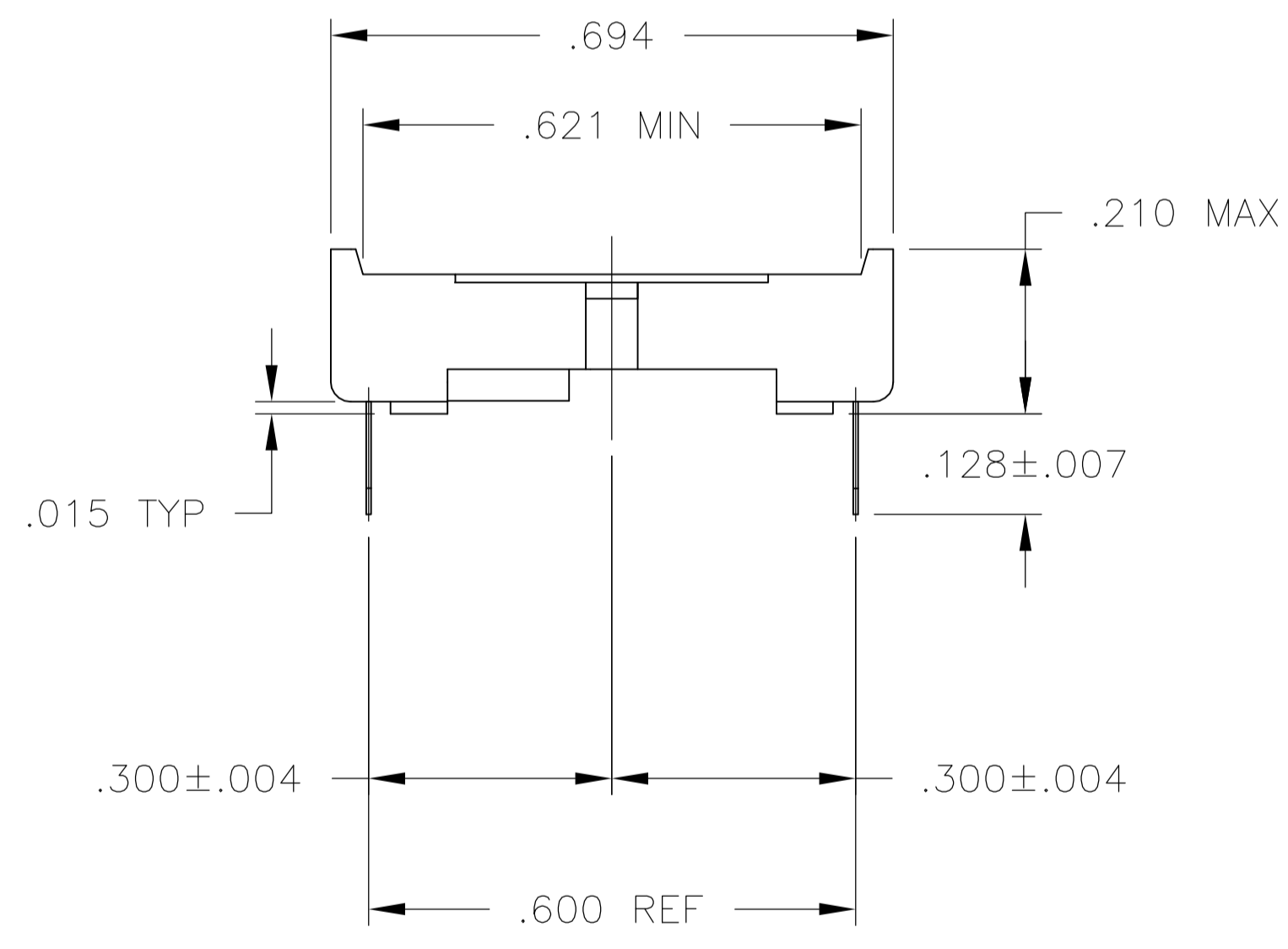
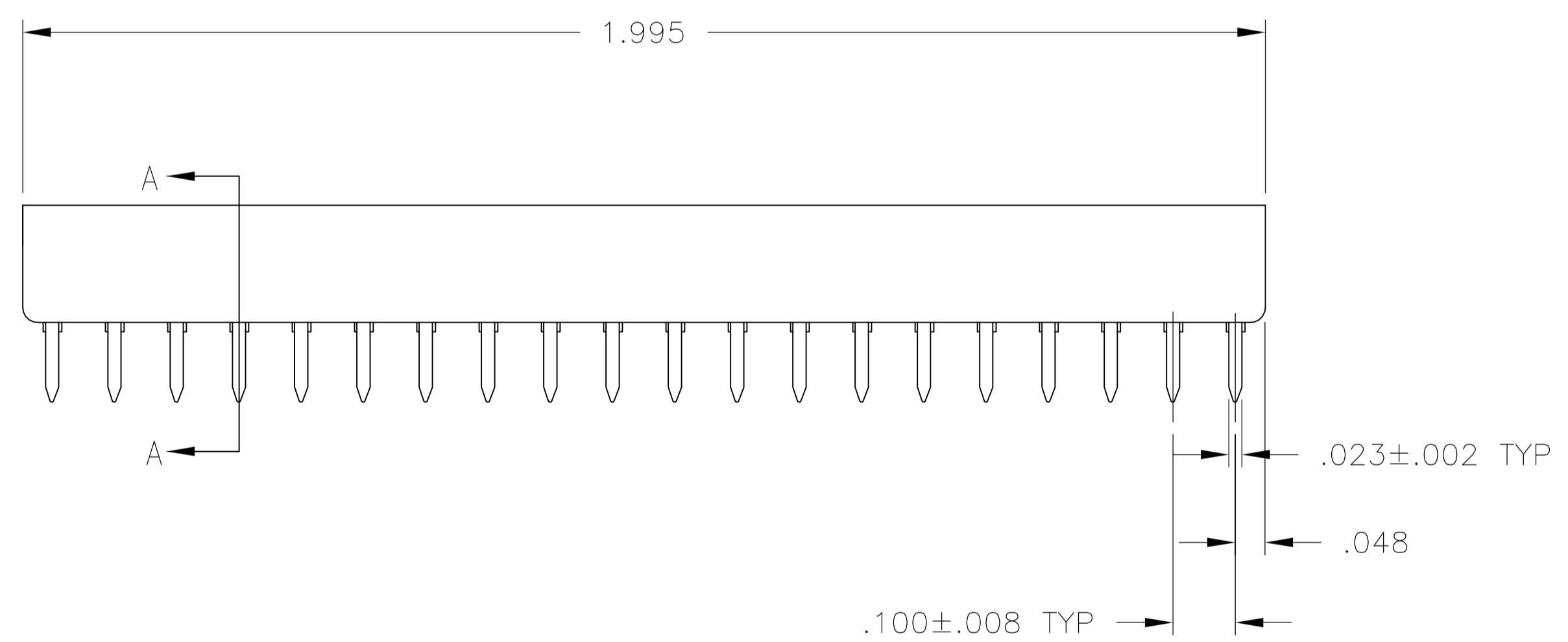


1. RECEPTACLE ACCEPTS A .008-.014 THICK I.C. LEAD.
2. TUBE LOADED.
3. TWO .000015 MIN THK. GOLD STRIPES IN CONTACT AREA WITH TIN-LEAD (93/7) ON SOLDER LEGS, BALANCE OF CONTACT NICKEL PLATED.



SECTION A-A  
SCALE 10:1



OBSOLETE	TINNED	PHOS. BRZ	BLACK THERMO PLASTIC	2-382468-4
		PHOS. BRZ	BROWN GLASS-FILLED PCT	2-382468-3
OBSOLETE	TINNED	BE.CU.	BROWN GLASS-FILLED PCT	2-382468-1
	CONTACT FINISH	CONTACT MAT'L	HOUSING MATERIAL	PART NO.

THIS DRAWING IS A CONTROLLED DOCUMENT.		DIN R BROWN 09JAN01		Tyco Electronics Corporation	
DIMENSIONS: INCHES		CHK H WYNKOOP 23AUG00		Harrisburg, PA 17105	
TOLERANCES UNLESS OTHERWISE SPECIFIED:		APVD H WYNKOOP 23AUG00		NAME	
0. PLC ± -		PRODUCT SPEC		SOCKET ASSY. DIP, HT, 40 POS, DIPLOMATE™ DL	
1. PLC ± -		APPLICATION SPEC		-	
2. PLC ± -		108-1066		SIZE	
3. PLC ± .005		114-1052		CAGE CODE	
4. PLC ± -		-		DRAWING NO	
ANGLES ± -		-		RESTRICTED TO	
MATERIAL SEE TABLE	FINISH SEE TABLE	WEIGHT	A1 00779	382468	-
CUSTOMER DRAWING			SCALE 5:1	SHEET 1 OF 1	REV K1