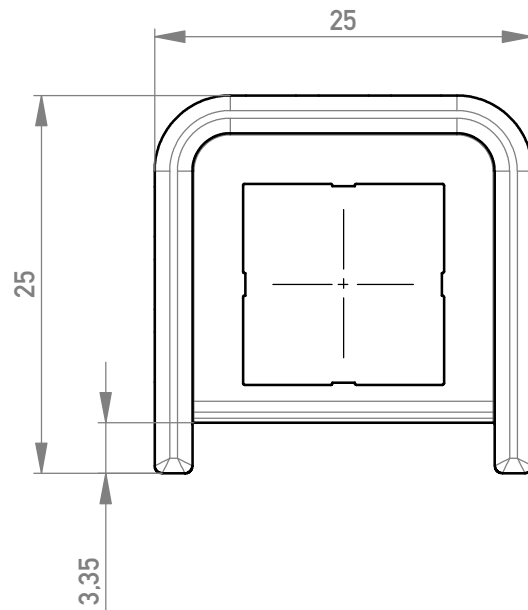
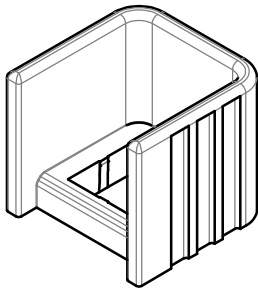


M 1:1 / scale 1:1



Verwendung mit PowerElement 225678, 225679.  
Usage with Power Element 225678, 225679.

Copyright by ERNI Production GmbH & Co. KG  
Proprietary notice pursuant to ISO 16016 to be observed.

Information:		Tolerances	Scale 2:1
All rights reserved. Only for Information. To ensure that this is the latest version of this drawing, please contact one of the ERNI companies before using.		 All Dimensions in mm	Designation
Subject to modification without prior notice. Drawing will not be updated.		<b>Twisted and Contact Protection</b> <i>for Male PowerElements</i>	
www.ERNI.com		<b>225796</b>	
b	12.12.2018	I	
Index	Date	A4	
Class		POWELM	