

PHASE CONTROL SCRs

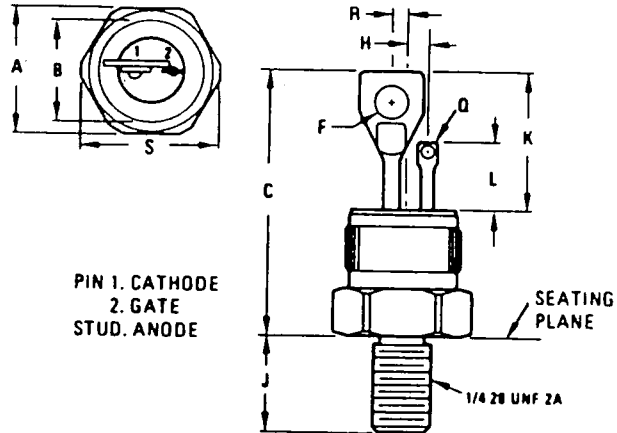
NATIONAL TYPE NO.	C137		
JEDEC NO.			
RMS on state current (A) max.	35		
VOLTAGE RANGE	500-1200		
$I_{T(AV)}$ Amps @ 180° conduction @ T_c	22.3 @ 86°		
I_{TSM} Peak one cycle surge current (A)	160		
I^2t For fusing at 8.3 msec (A ² sec)	340		
V_{TM} Max. peak on-state volts @ peak amps., $T_j = 25^\circ\text{C}$	2.3 @ 70		
di/dt Max. rate-of-current rise (A/ μsec)	150		
dv/dt Min. rate-of-voltage rise (V/ μsec)	200		
I_{GT} Max. gate trigger current (MA) @ 25°C	40		
V_{GT} Max. gate trigger voltage (V) @ 25°C	2.2		
$R_{\theta JC}$ Max. thermal resistance, junction-to-case (°C/W)	1.0		
T_j Max. junction operating temperature (°C)	125		
	100	A	C137A
	150	G	C137G
	200	B	C137B
	250	H	C137H
REPETITIVE PEAK FORWARD (V_{ORM})	300	C	C137C
	400	D	C137D
AND	500	E	C137E
REPETITIVE PEAK REVERSE (V_{RRM}) VOLTAGE	600	M	C137M
	700	S	C137S
	800	N	C137N
	900	T	C137T
	1000	P	C137P
	1100	PA	C137PA
	1200	PB	C137PB
Stud Torque (in-lbs)	30		
Package Type	1/4" stud		
Package Outline Number	TO-48		



SOLID STATE INC.

46 FARRAND STREET
BLOOMFIELD, NEW JERSEY 07003

www.solidstateinc.com



DIM	MILLIMETERS		INCHES	
	MIN	MAX	MIN	MAX
A	14.00	14.20	0.551	0.559
B	12.73	12.83	0.501	0.505
C	-	30.23	-	1.190
F	-	4.06	-	0.160
H	2.16	2.41	0.085	0.095
J	10.67	11.56	0.420	0.455
K	-	17.02	-	0.670
L	6.99	7.75	0.275	0.305
Q	1.40	1.65	0.055	0.065
R	1.52	1.78	0.060	0.070
S	15.34	15.60	0.604	0.614

NOTE:
1. DIM "H" & "R" TO BE MEASURED AT CAN.