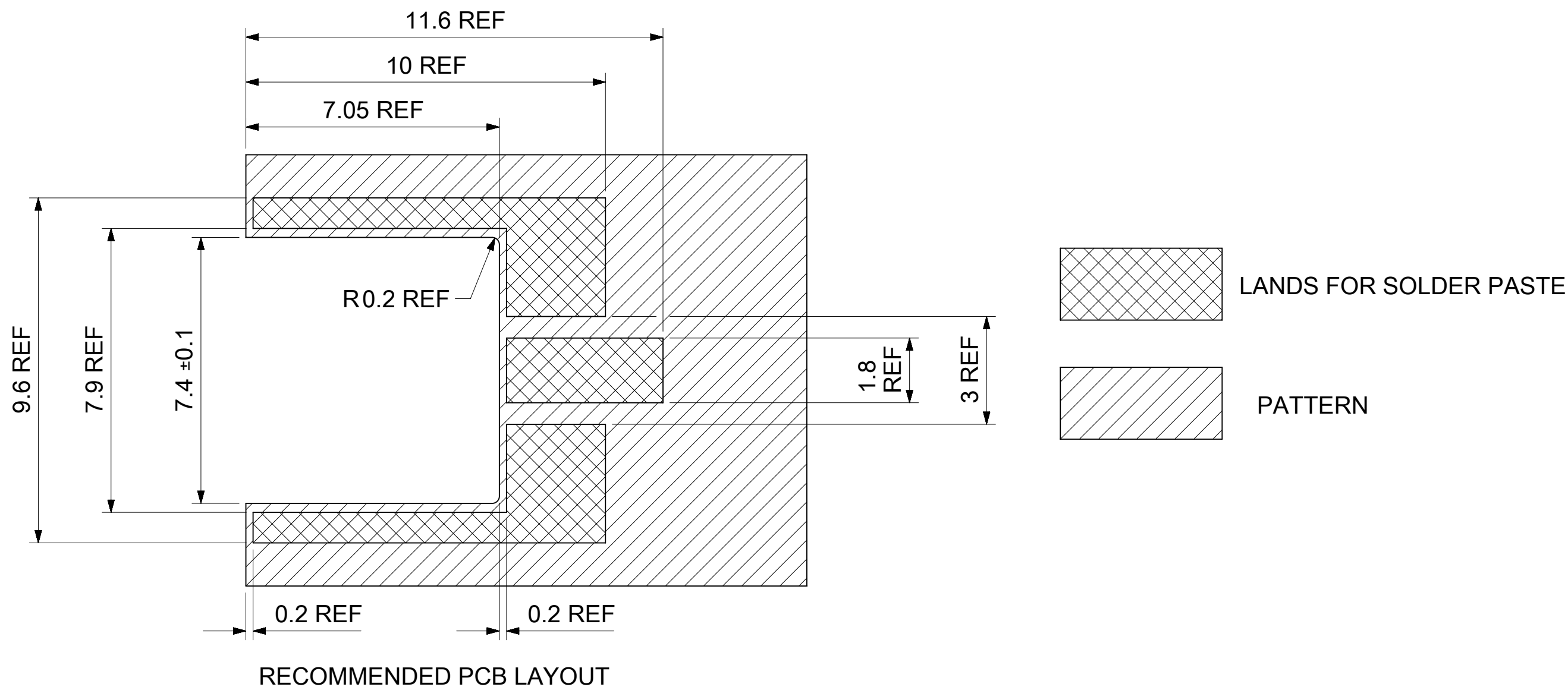
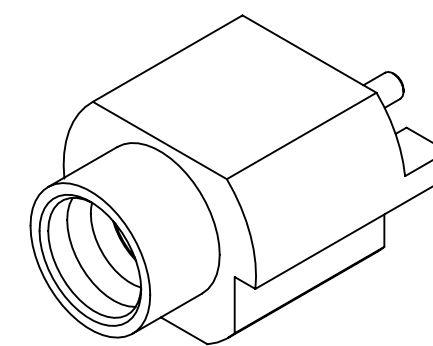
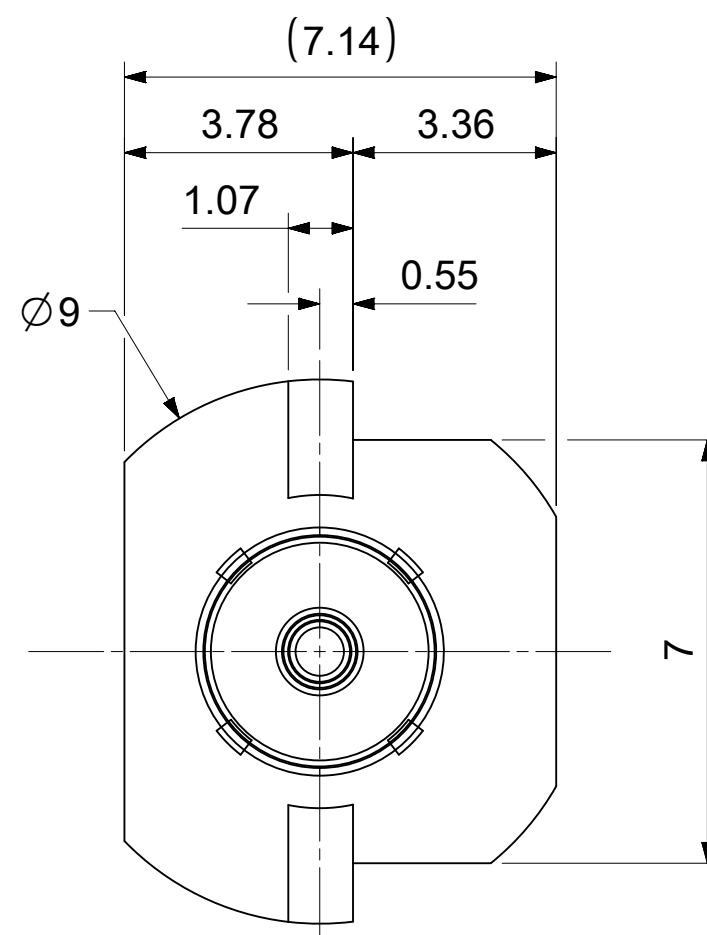
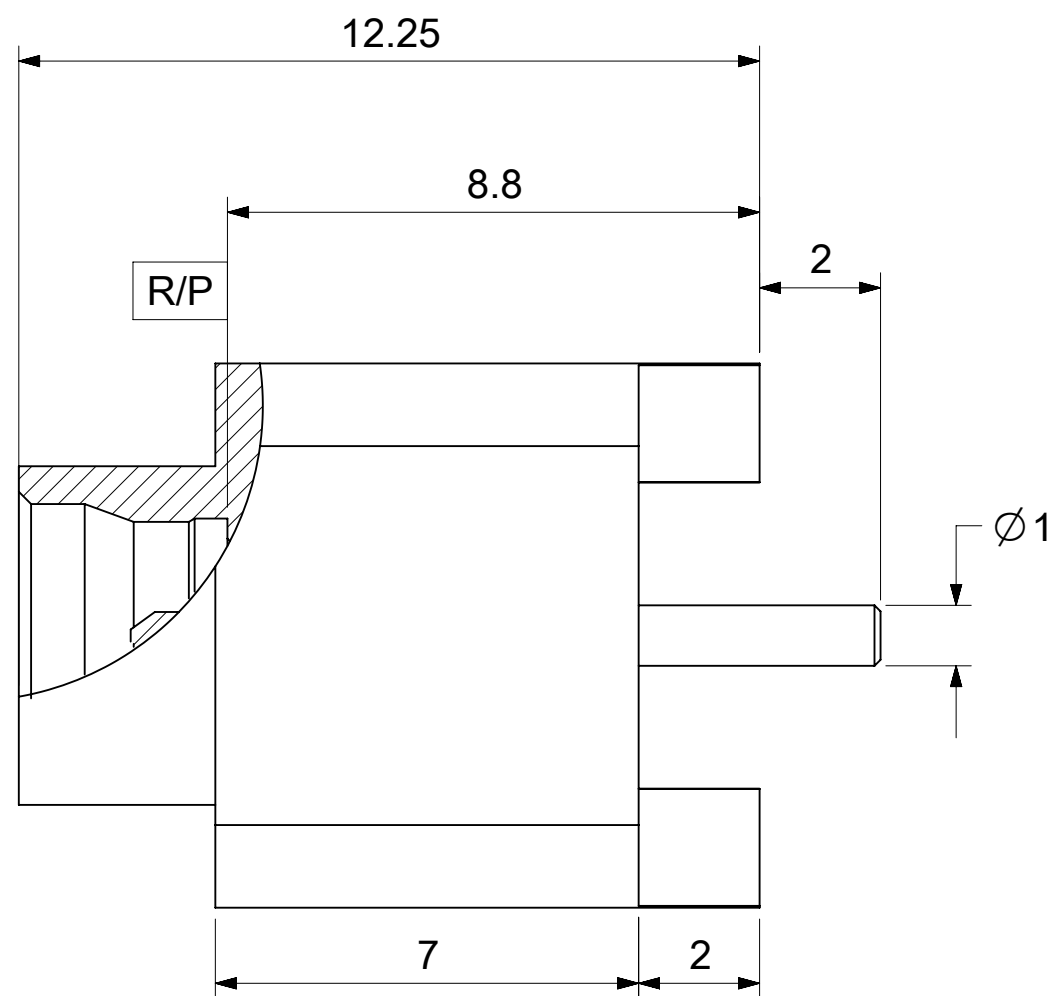


MATERIALS AND FINISHES:

BODY: BRASS  
 PLATED GOLD (1μ-in MIN)  
 OVER NICKEL PHOSPHOR (80μ-in MIN)  
 OVER COPPER (20μ-in MIN)

CENTER CONTACT: BRASS  
 PLATED GOLD (8μ-in MIN)  
 OVER NICKEL PHOSPHOR (80μ-in MIN)  
 OVER COPPER (20μ-in MIN)

INSULATOR: PEEK/PTFE



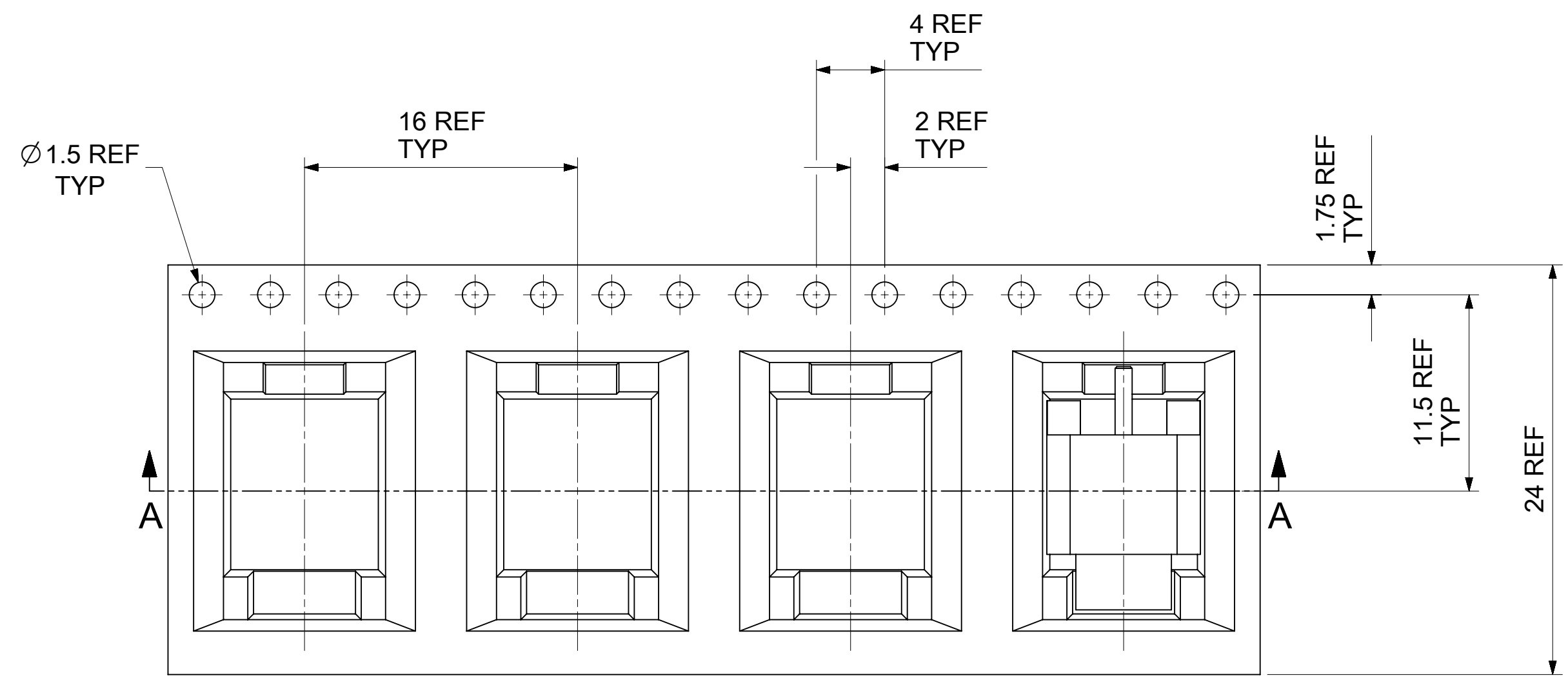
NOTE: DUE TO THE POTENTIAL LARGE VARIATION OF PERFORMANCE DEPENDING ON PCB AND LINE PARAMETERS, WE RECOMMEND THE USER TO PROCESS A RF ANALYZE OF THE CONNECTOR MOUNTED ON HIS PCB.

73420-5501	73420-5500 TAPE & REEL	SEE SHEET 2 & 3
73420-5500	73420-5500 TRAY	895420040
PART NO.	DESCRIPTION	PACKING PSEC

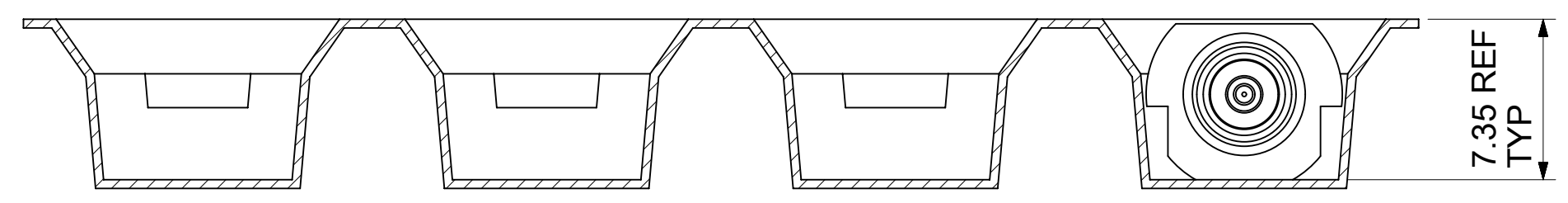
PS-89675-3760	ELEC/MECH PERFORMANCE
SPECIFICATION	DESCRIPTION

DOCUMENT STATUS	P1	RELEASE DATE	2023/01/10	04:38:46
-----------------	----	--------------	------------	----------

THIS DRAWING CONTAINS INFORMATION THAT IS PROPRIETARY TO MOLEX ELECTRONIC TECHNOLOGIES, LLC AND SHOULD NOT BE USED WITHOUT WRITTEN PERMISSION									
DIMENSION UNITS		SCALE		CURRENT REV DESC: ADD RECOMMENDED PCB LAYOUT PER EWR #15622-A				<b>molex</b>	
mm		NTS							
GENERAL TOLERANCES (UNLESS SPECIFIED)				EC NO: 734242				SMP-MAX PLUG SNAP TYPE PCB EDGE MOUNT SMPMAX-P/PCB	
ANGULAR TOL ± 2.0°				DRWN: RYEH 2023/01/05					
4 PLACES ±				CHK'D: YCHENG 2023/01/10				PRODUCT CUSTOMER DRAWING	
3 PLACES ±				APPR: YCHENG 2023/01/10					
2 PLACES ± 0.13				INITIAL REVISION:				DOCUMENT NUMBER	
1 PLACE ± 0.25				DRWN: RYEH 2014/05/07					
0 PLACES ± 0.38				APPR: YCHENG 2014/10/23				SD-73420-550	
DRAFT WHERE APPLICABLE MUST REMAIN WITHIN DIMENSIONS				THIRD ANGLE PROJECTION		DRAWING		SERIES	
				C-SIZE		73420		MATERIAL NUMBER	
								CUSTOMER	
								SHEET NUMBER	
								1 OF 3	



VIEWS FOR 73420-5501

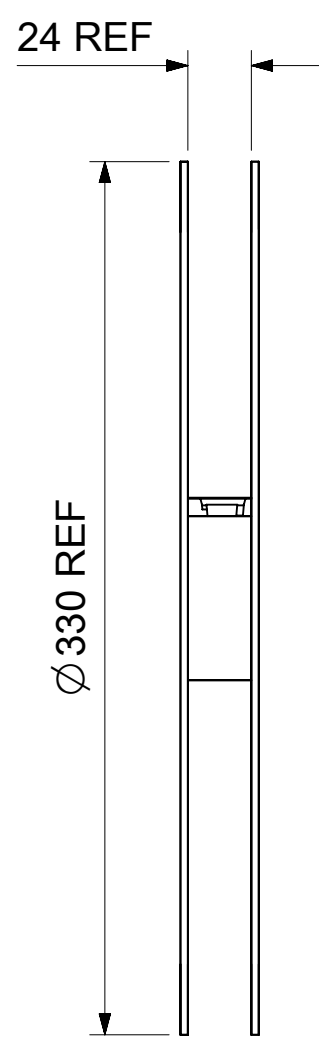


SECTION A-A

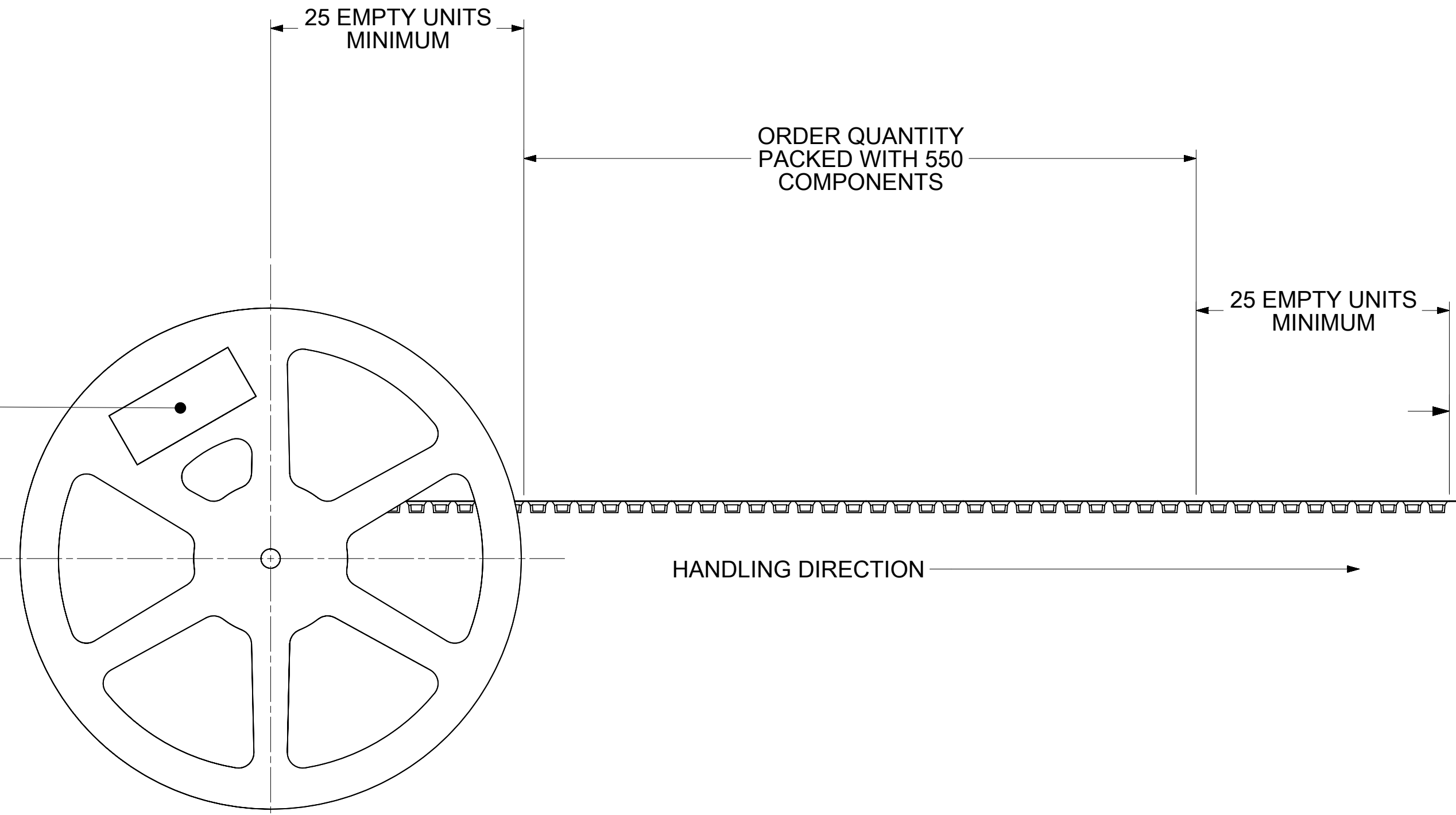
THIS DRAWING CONTAINS INFORMATION THAT IS PROPRIETARY TO MOLEX ELECTRONIC TECHNOLOGIES, LLC AND SHOULD NOT BE USED WITHOUT WRITTEN PERMISSION

DIMENSION UNITS		SCALE		CURRENT REV DESC: ADD RECOMMENDED PCB LAYOUT PER EWR #15622-A						
mm		NTS		<p><b>molex</b></p> <p>SMP-MAX PLUG SNAP TYPE PCB EDGE MOUNT SMPMAX-P/PCB</p> <p>PRODUCT CUSTOMER DRAWING</p>						
GENERAL TOLERANCES (UNLESS SPECIFIED)										
ANGULAR TOL ± 2.0°										
4 PLACES ±		EC NO: 734242								
3 PLACES ±		DRWN: RYEH 2023/01/10								
2 PLACES ± 0.13		CHK'D: YCHENG 2023/01/10								
1 PLACE ± 0.25		APPR: YCHENG 2023/01/10								
0 PLACES ± 0.38		INITIAL REVISION:		DOCUMENT NUMBER		DOC TYPE	DOC PART	REVISION		
DRAFT WHERE APPLICABLE MUST REMAIN WITHIN DIMENSIONS		THIRD ANGLE PROJECTION		DRWN: RYEH 2014/05/07		SD-73420-550		PSD	001	A2
		DRAWING		APPR: YCHENG 2014/10/23		MATERIAL NUMBER		CUSTOMER		SHEET NUMBER
		C-SIZE		SERIES		SEE TABLE		GENERAL MARKET		2 OF 3
				73420						

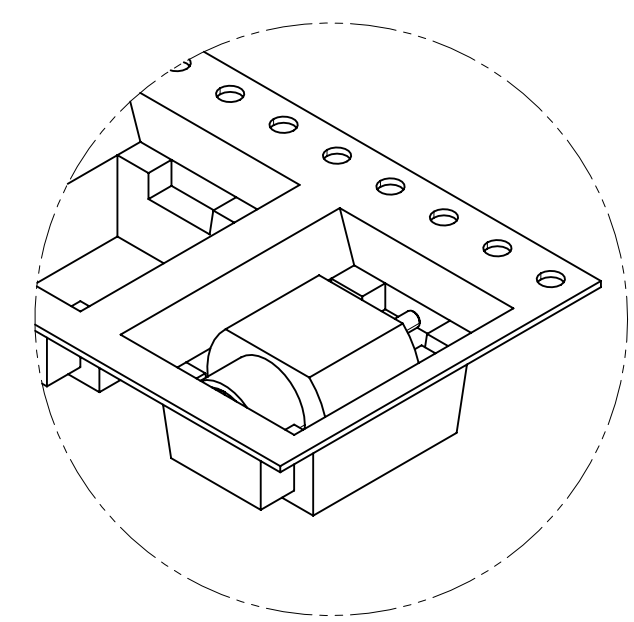
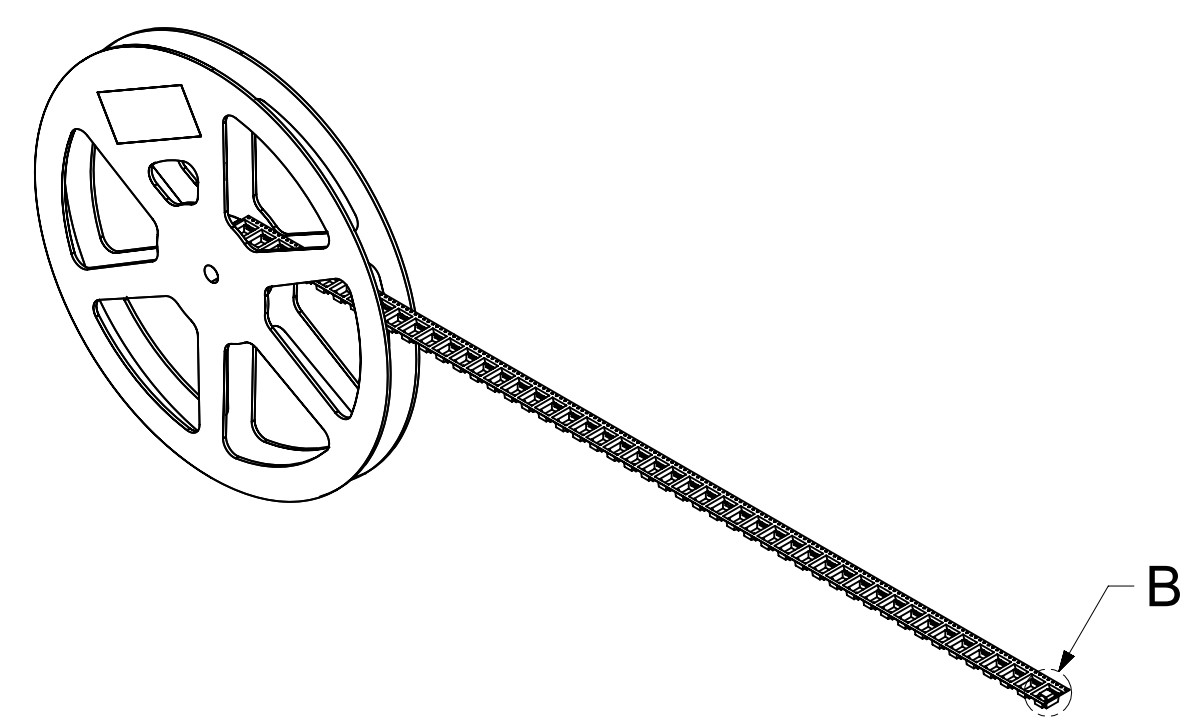
DOCUMENT STATUS	P1	RELEASE DATE	2023/01/10	04:38:46
-----------------	----	--------------	------------	----------



LABEL:  
 -ORDER NUMBER  
 -QUANTITY  
 -PART NUMBER  
 -LOT NUMBER



VIEWS FOR 73420-5501



DETAIL B

THIS DRAWING CONTAINS INFORMATION THAT IS PROPRIETARY TO MOLEX ELECTRONIC TECHNOLOGIES, LLC AND SHOULD NOT BE USED WITHOUT WRITTEN PERMISSION

DIMENSION UNITS		SCALE		CURRENT REV DESC: ADD RECOMMENDED PCB LAYOUT PER EWR #15622-A				<b>molex</b>			
mm		NTS									
GENERAL TOLERANCES (UNLESS SPECIFIED)								SMP-MAX PLUG SNAP TYPE PCB EDGE MOUNT SMPMAX-P/PCB			
ANGULAR TOL ± 2.0°				EC NO: 734242				PRODUCT CUSTOMER DRAWING			
4 PLACES ±				DRWN: RYEH 2023/01/05				DOCUMENT NUMBER			
3 PLACES ±				CHK'D: YCHENG 2023/01/10				SD-73420-550			
2 PLACES ± 0.13				APPR: YCHENG 2023/01/10				DOC TYPE DOC PART REVISION			
1 PLACE ± 0.25				INITIAL REVISION:				PSD 001 A2			
0 PLACES ± 0.38				DRWN: RYEH 2014/05/07				MATERIAL NUMBER			
				APPR: YCHENG 2014/10/23				CUSTOMER			
DRAFT WHERE APPLICABLE MUST REMAIN WITHIN DIMENSIONS				THIRD ANGLE PROJECTION		DRAWING		SERIES		SHEET NUMBER	
						C-SIZE		73420		3 OF 3	

DOCUMENT STATUS	P1	RELEASE DATE	2023/01/10	04:38:46
-----------------	----	--------------	------------	----------