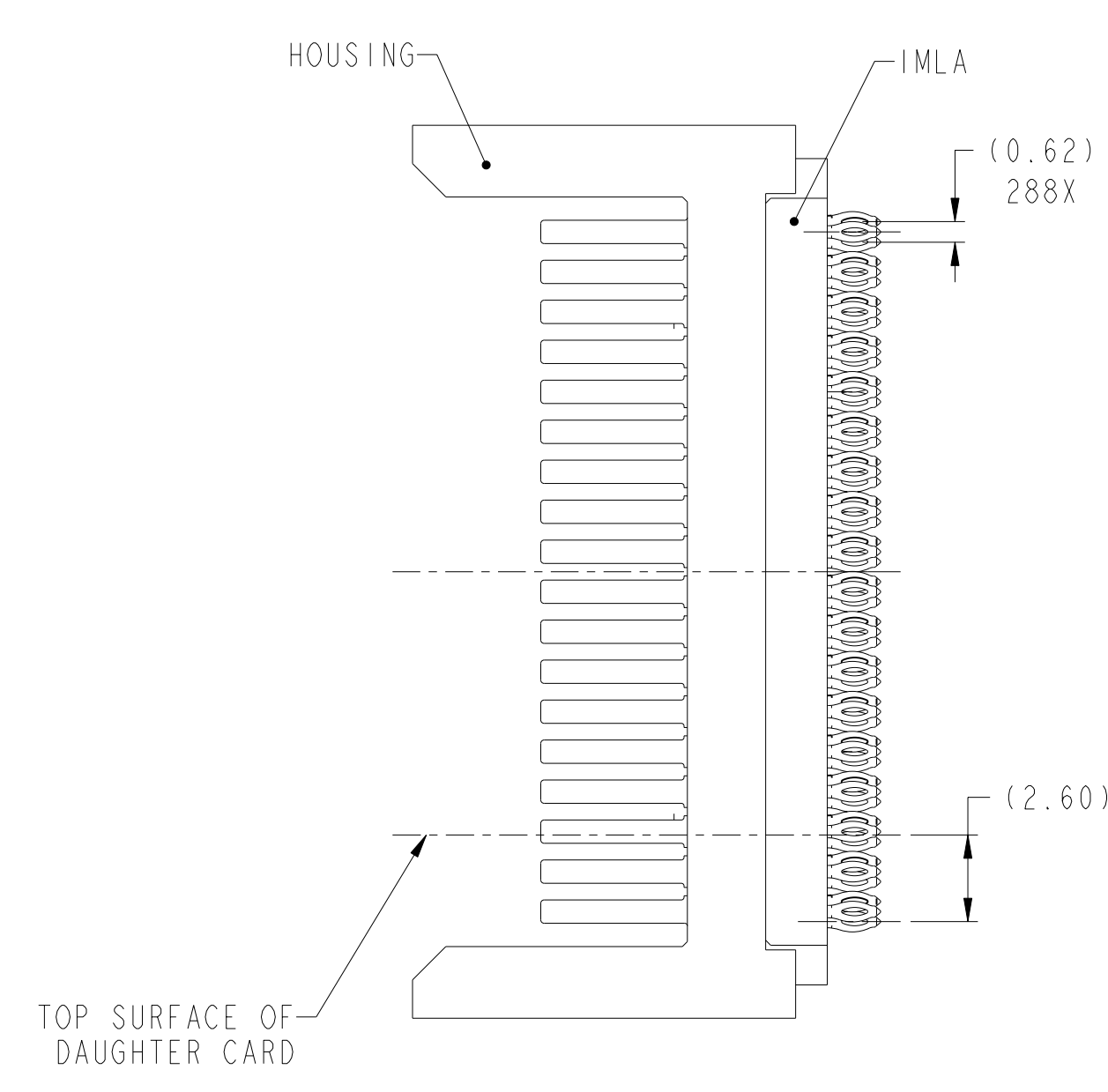
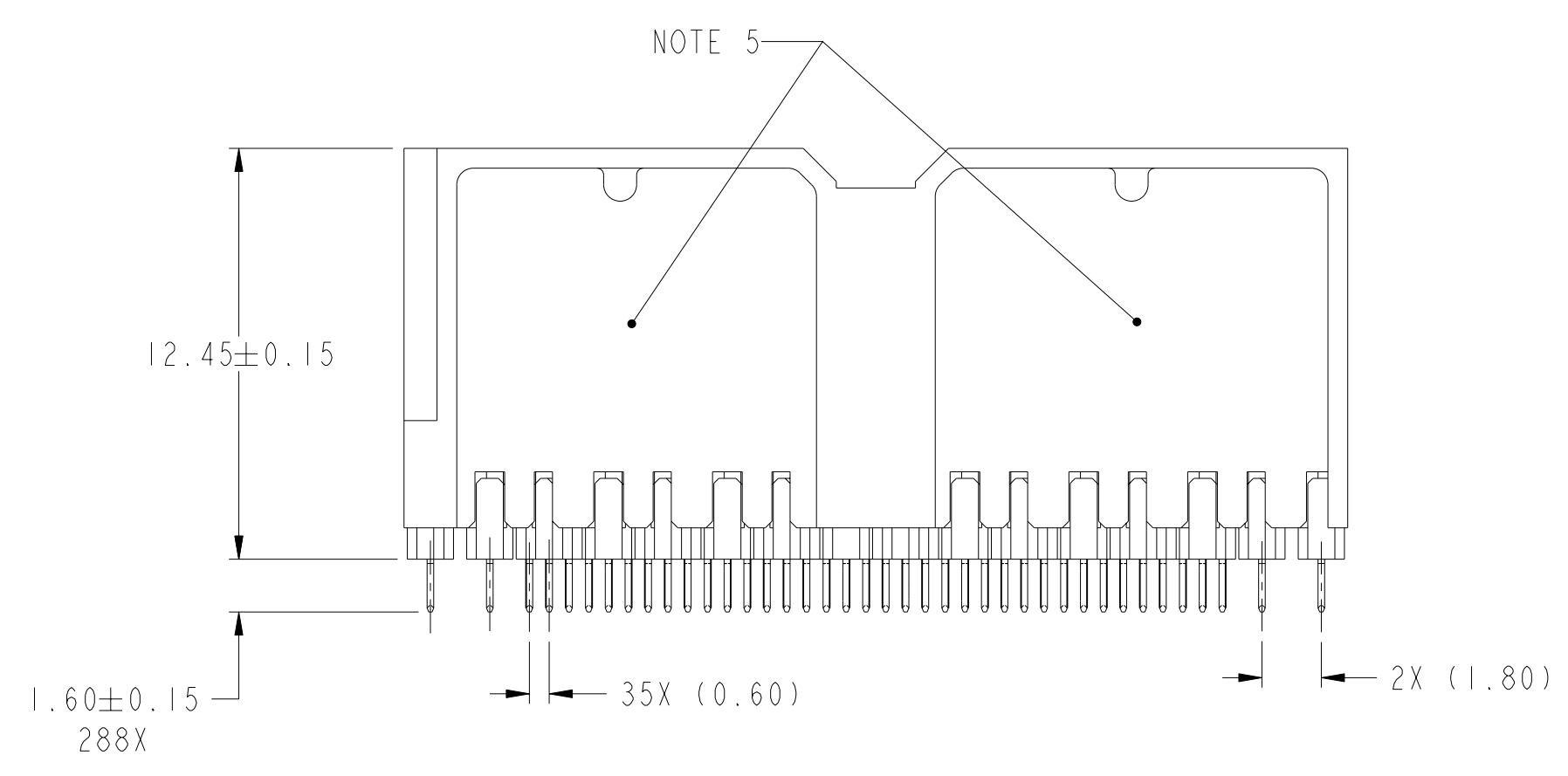
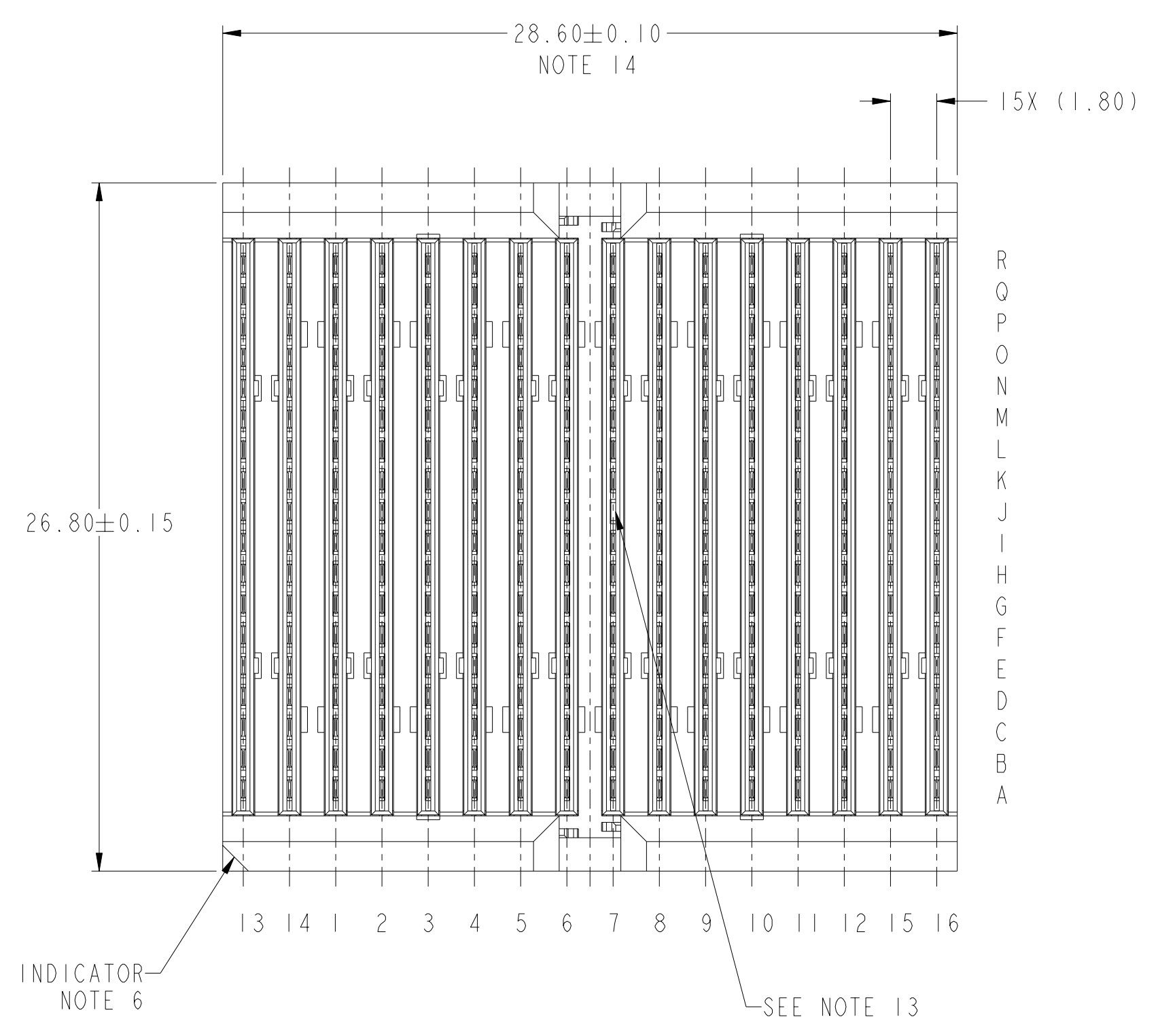


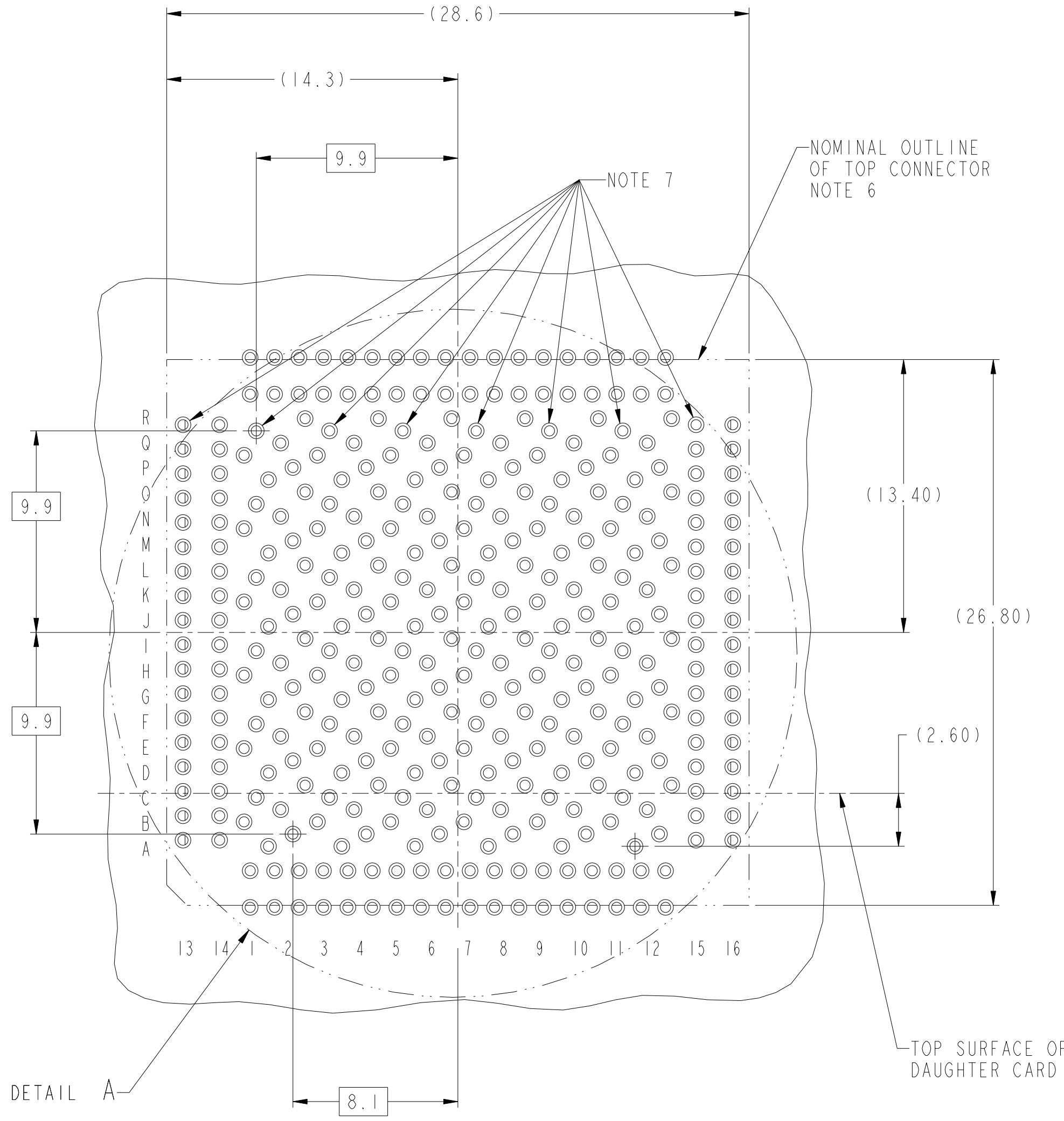
Product number
SEE TABLE, SHT 6



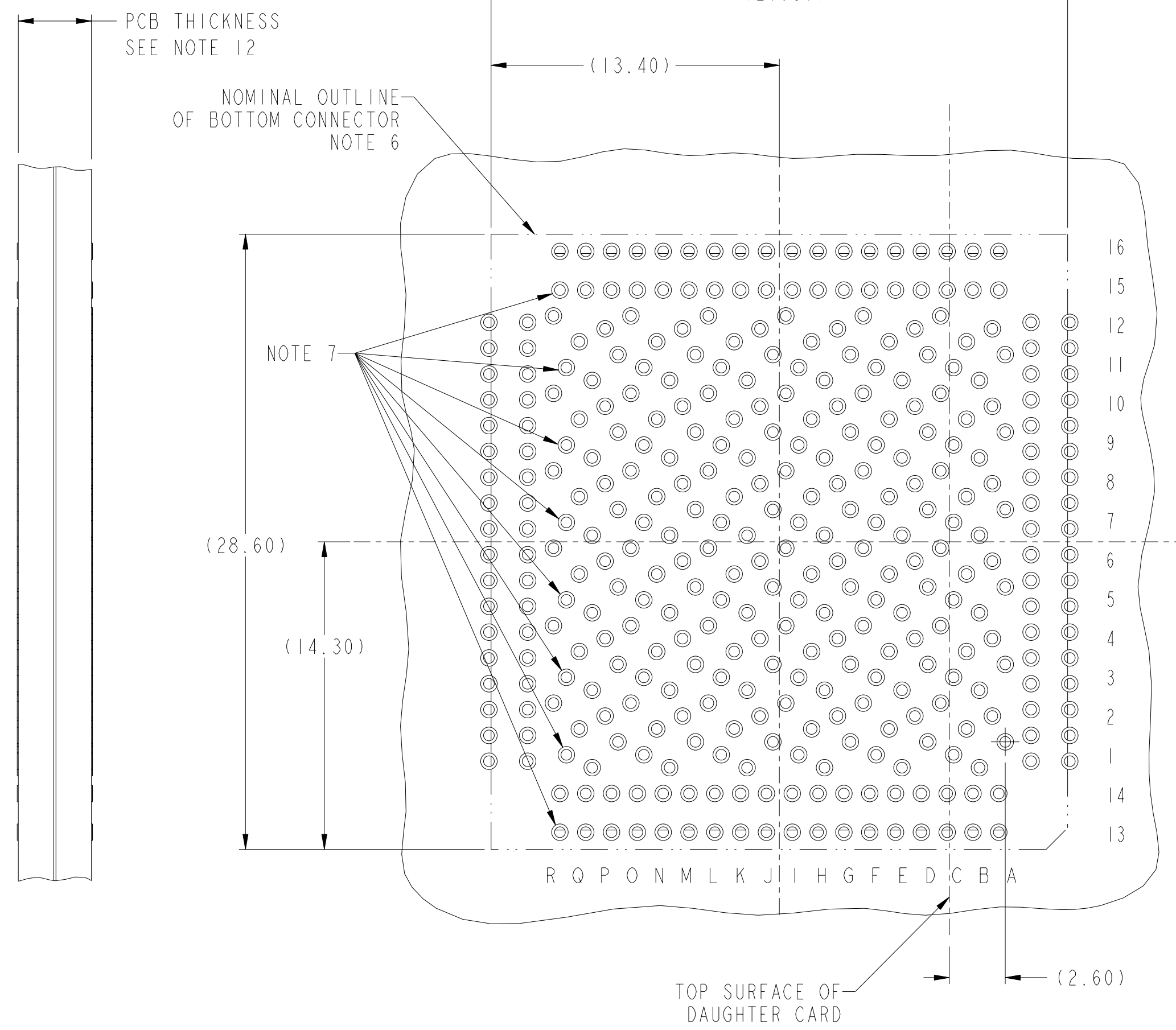
rev	ecn no	dr	date
A	V09-0144	DMJ	2009-04-01
-	-	-	-
-	-	-	-
-	-	-	-
-	-	-	-

www.fciconnect.com		surface ASME Y14.5	tolerance std ASME Y14.5	projection	MM
TOLERANCES UNLESS OTHERWISE SPECIFIED		ANGULAR	LINEAR	size A2	Scale 5:1
Dr	G. HULL	2007-11-09	0.X	±0.3	ECN
Eng	D. JOHNESCU	2007-11-09	0.XX	±0.10	***
Chr	D. JOHNESCU	2007-11-09	0.XXX	±0.050	
Appr	D. JOHNESCU	2009-04-01	Product family		ZipLine Spec ref
FCJ		ZipLine VERT HDR SPECIAL 6 PR		10084160	Rev. A
catalog no		CUSTOMER		sheet 1 of 6	

Copyright FCJ
FCJ



RECOMMENDED PCB LAYOUT
TOP PCB VIEW



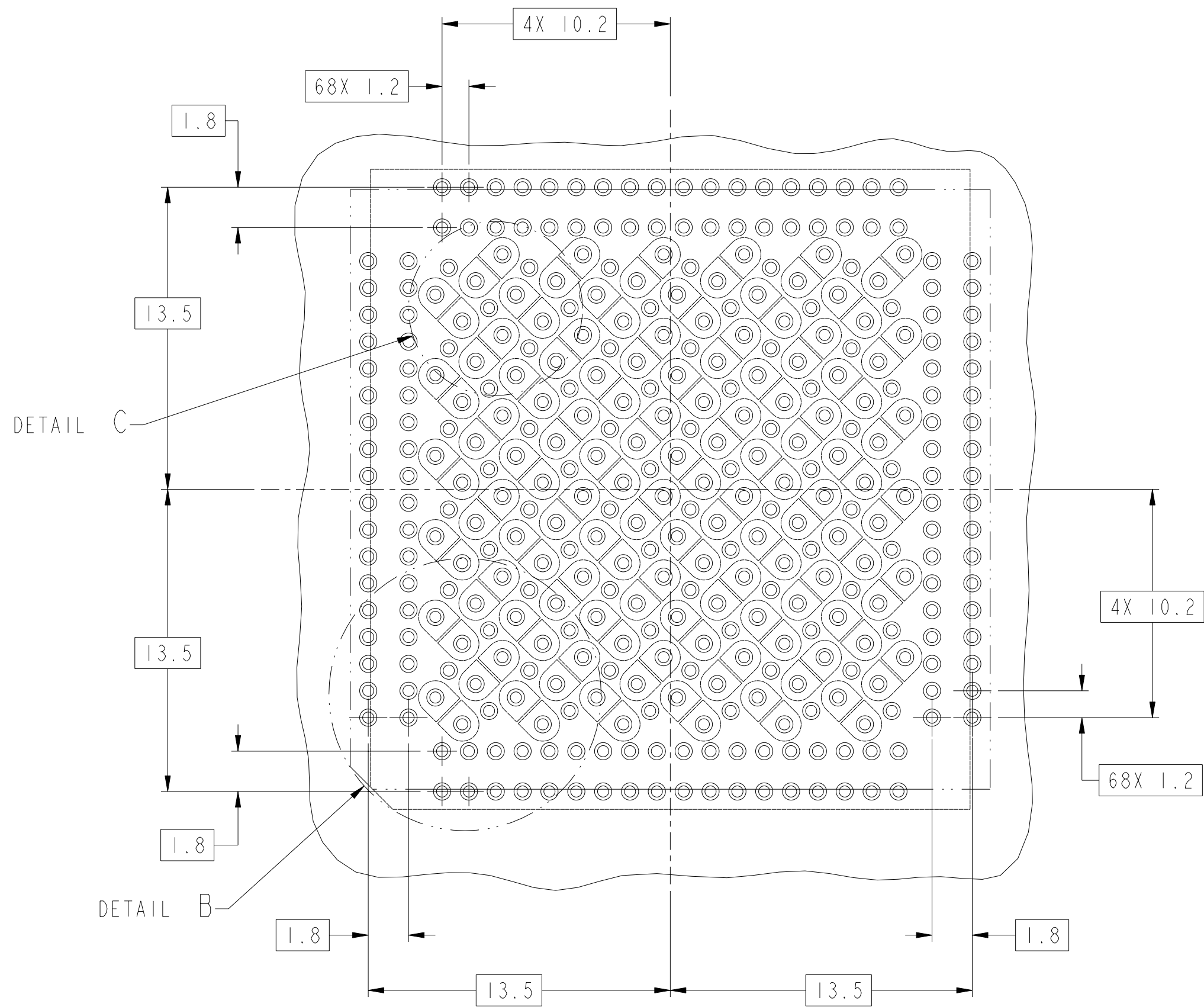
RECOMMENDED PCB LAYOUT
BOTTOM PCB VIEW

RECOMMENDED PCB LAYOUT
WHEN USING 10084160 TOP AND BOTTOM



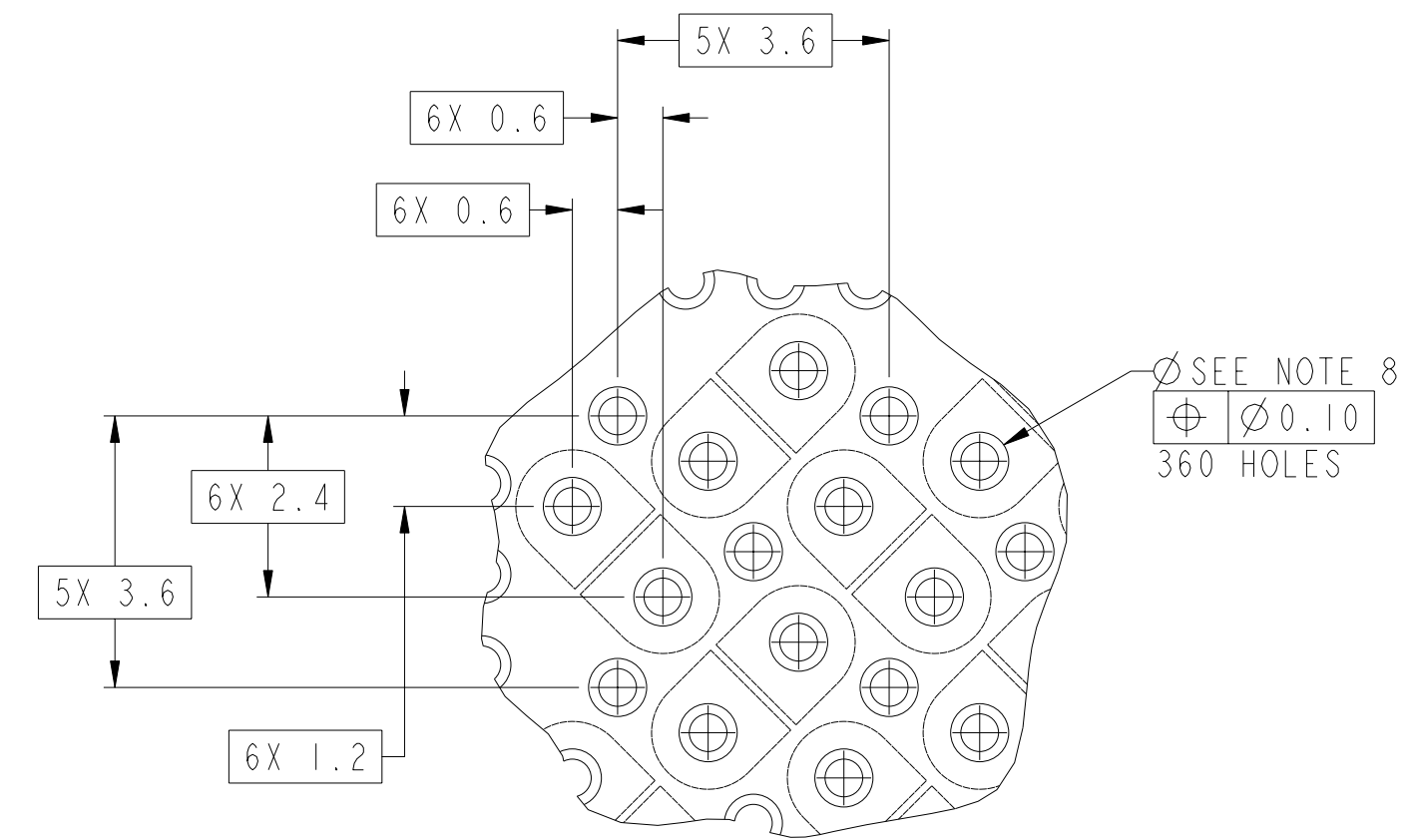
Copyright FCJ.

	TITLE ZipLine VERT HDR SPECIAL 6 PR 16 COLUMN, 2+12+2, 1.8mm PITCH, 28.8mm	drawing no 10084160	Rev. A
	catalog no	CUSTOMER	sheet 2 of 6

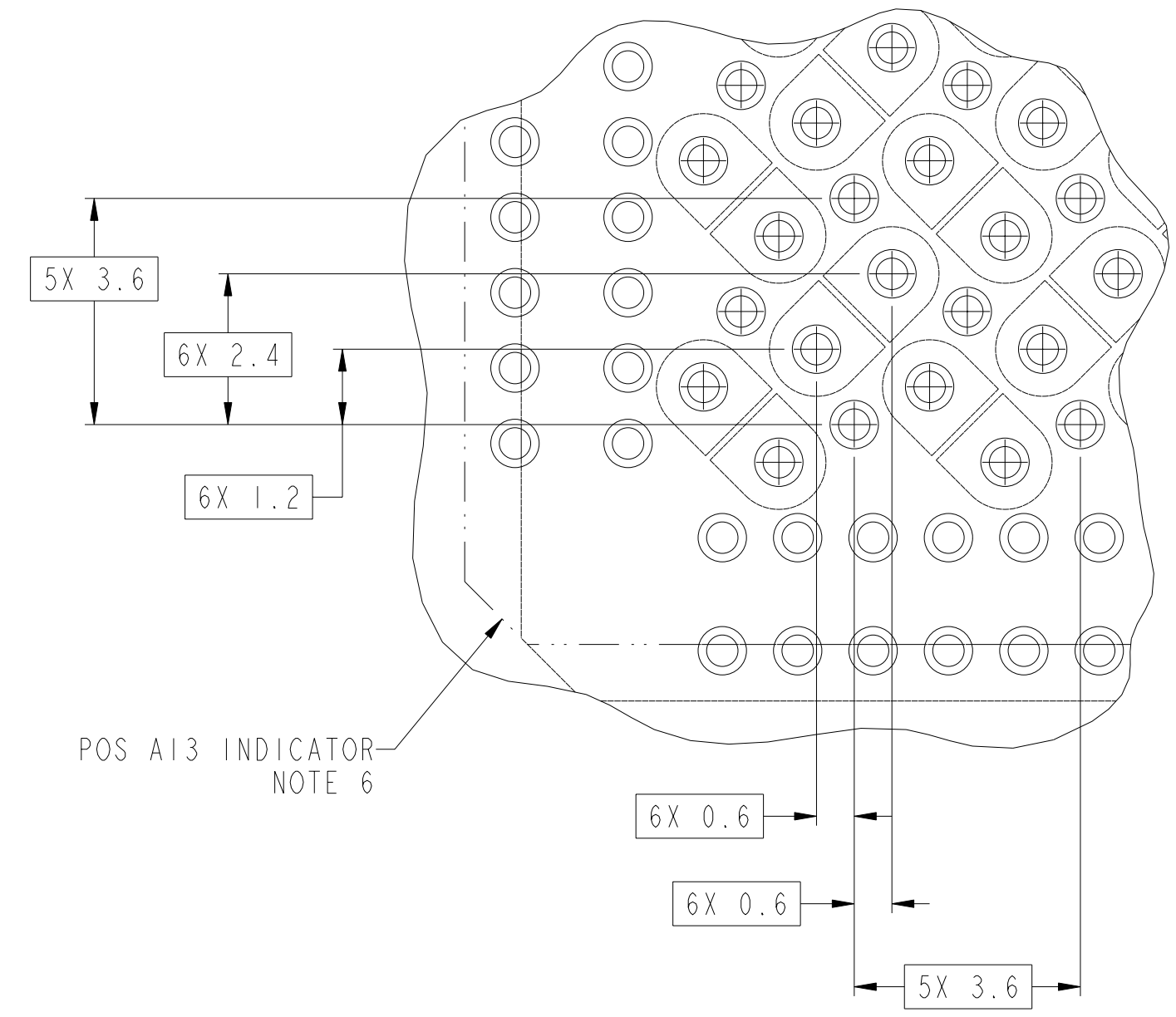


PCB LAYOUT SHOWN WITH
DIFFERENTIAL ORTHOGONAL AND
SINGLE ENDED NON-ORTHOGONAL
PATTERNS

VIEW A



VIEW C
SCALE: 10:1

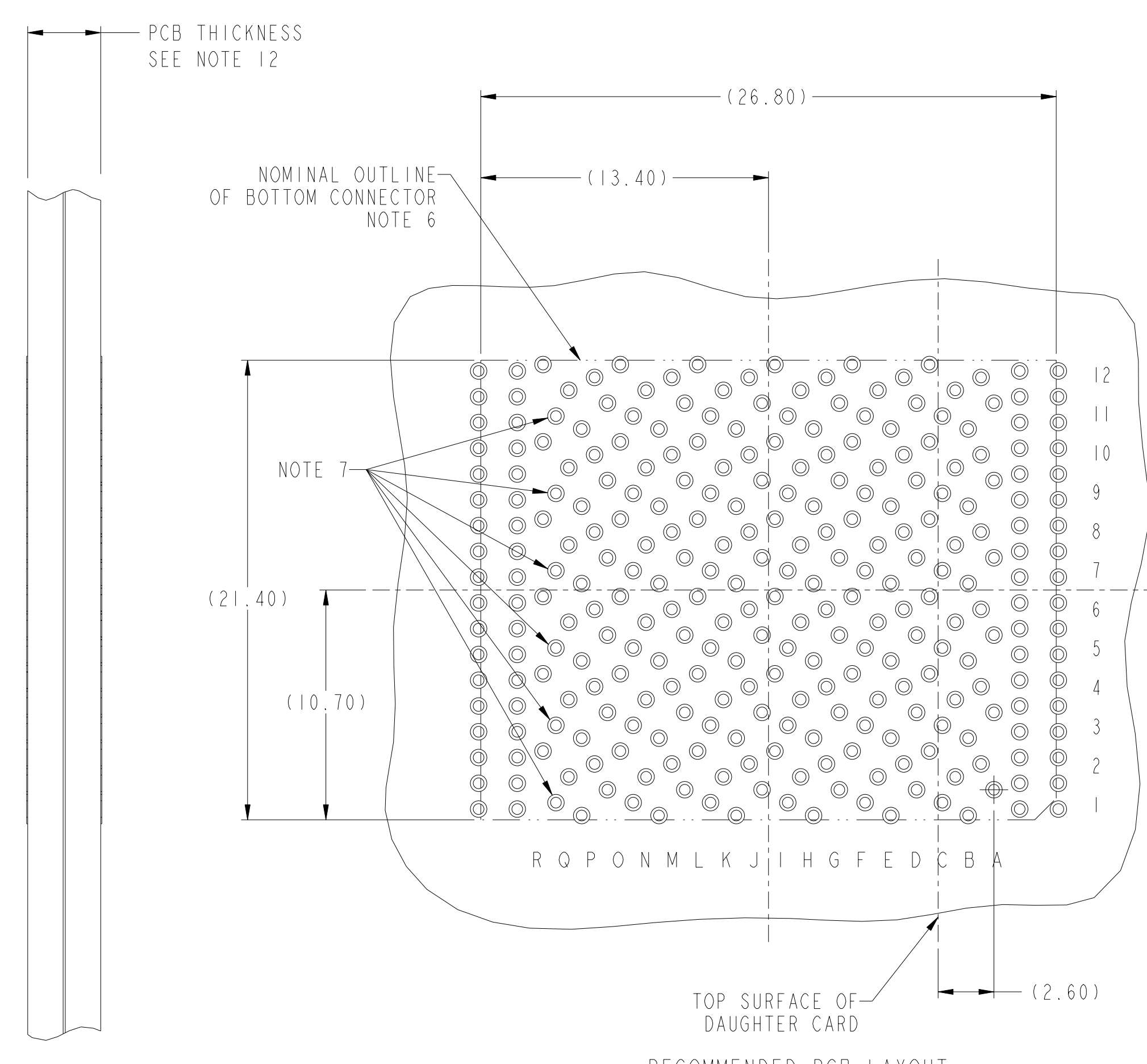
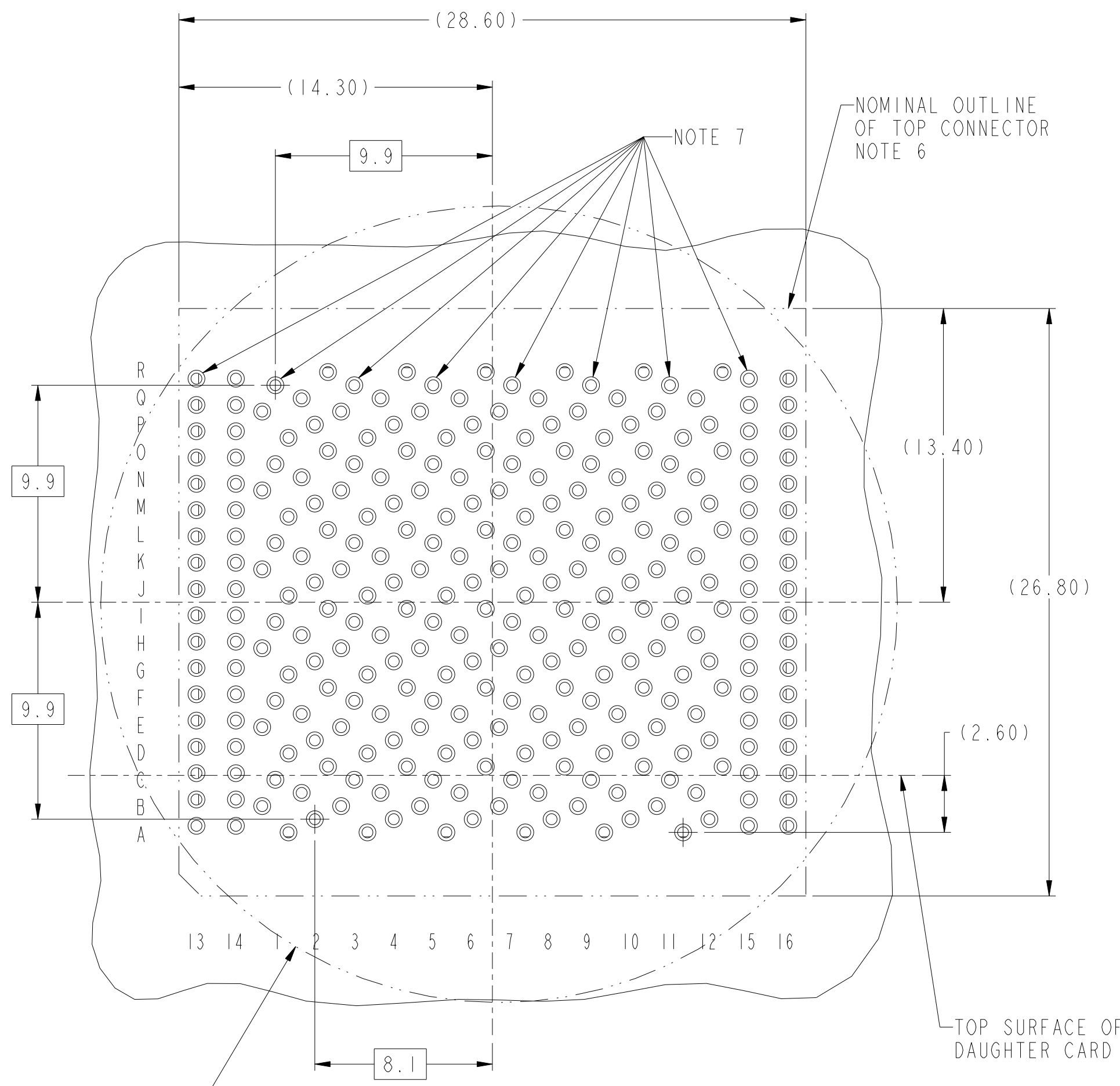


VIEW B
SCALE: 10:1



Copyright FCJ.

	TITLE ZipLine VERT HDR SPECIAL 6 PR 16 COLUMN, 2+12+2, 1.8mm PITCH, 28.8mm	dwg no 10084160	Rev. A
	catalog no -	CUSTOMER sheet 3 of 6	



PCB THICKNESS
SEE NOTE 12

NOMINAL OUTLINE
OF TOP CONNECTOR
NOTE 6

NOMINAL OUTLINE
OF BOTTOM CONNECTOR
NOTE 6

TOP SURFACE OF
DAUGHTER CARD

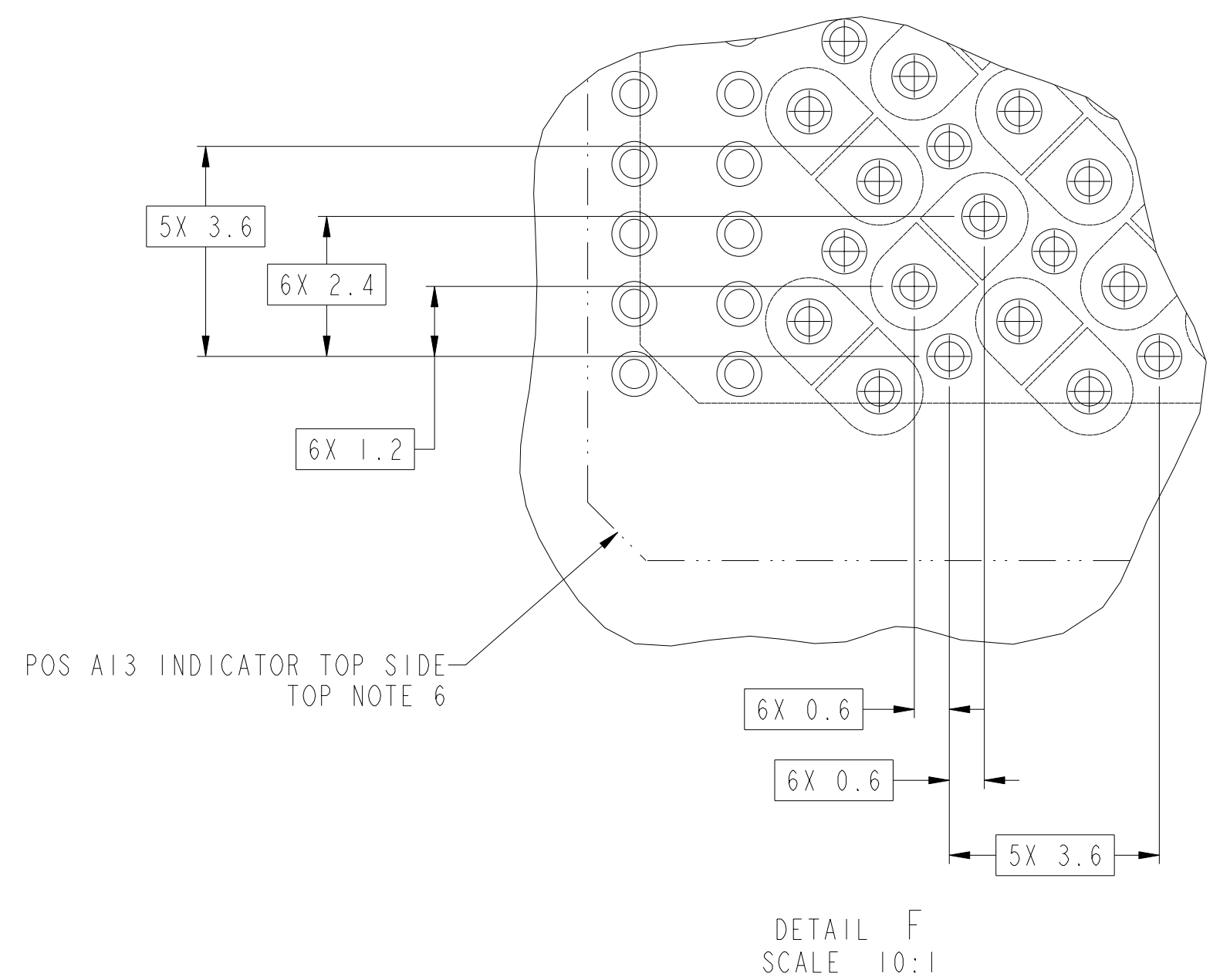
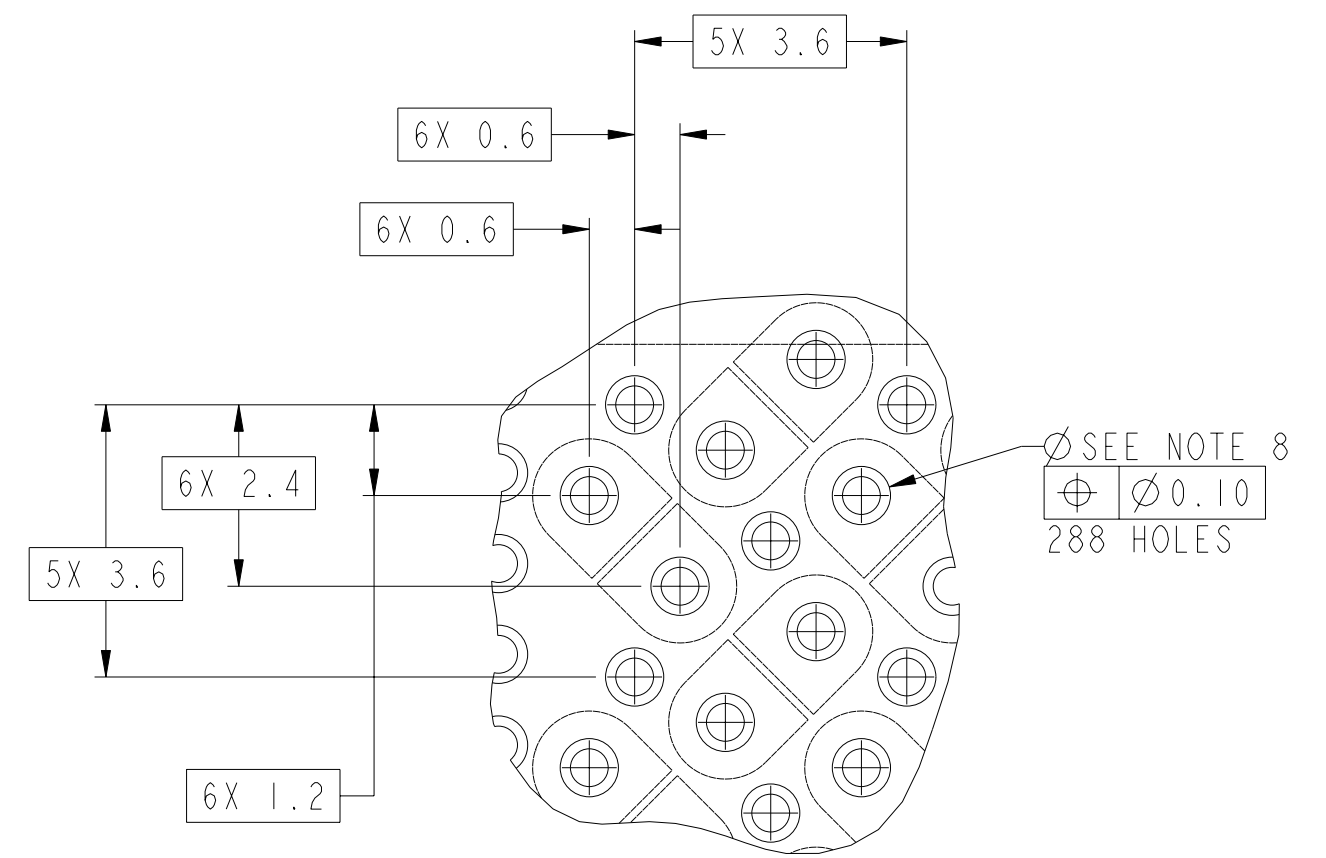
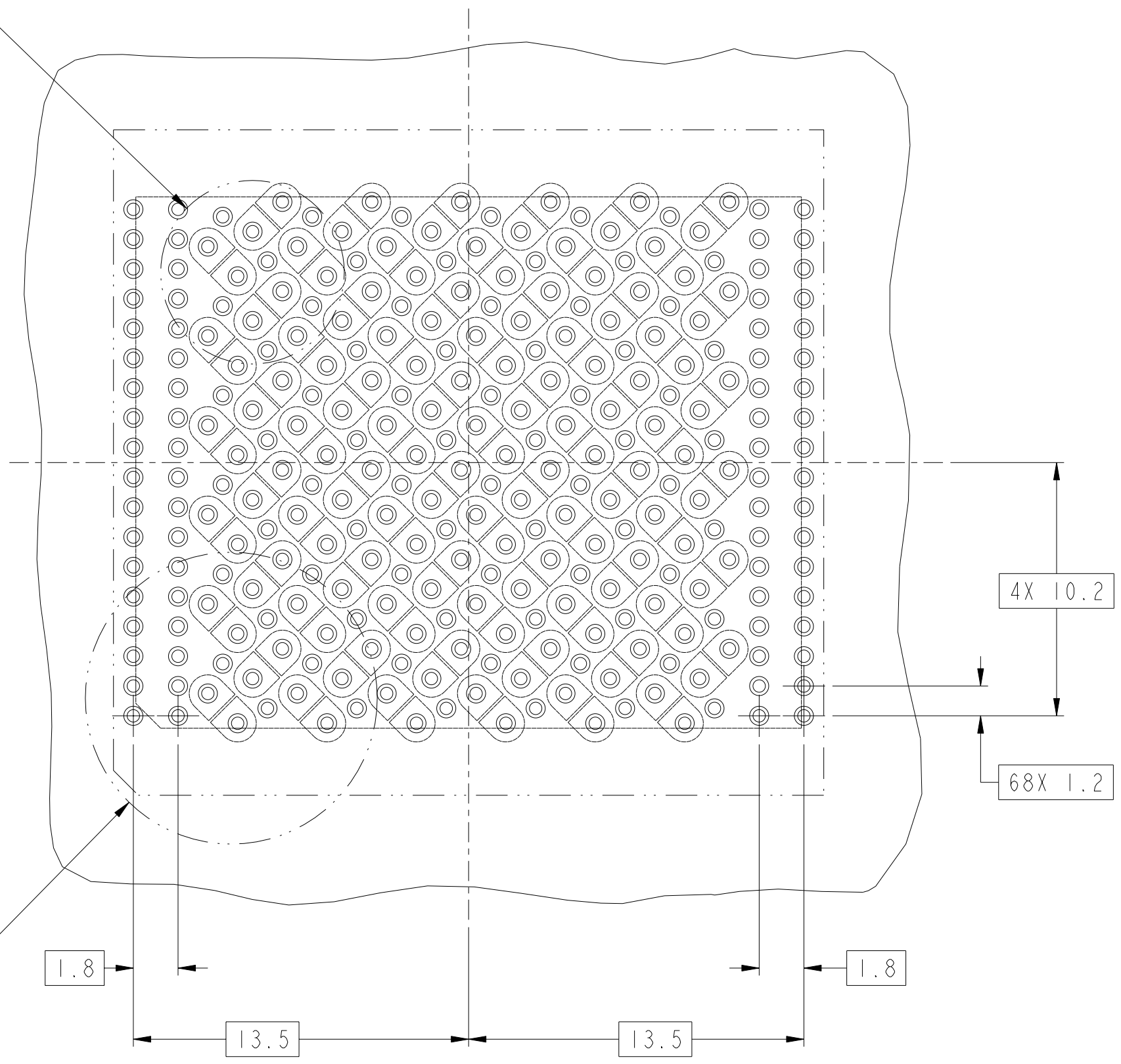
TOP SURFACE OF
DAUGHTER CARD

RECOMMENDED PCB LAYOUT
WHEN USING 10084160 ON THE TOP
AND 10076222 ON THE BOTTOM

Copyright FCJ

	TITLE ZipLine VERT HDR SPECIAL 6 PR 16 COLUMN, 2+12+2, 1.8mm PITCH, 28.8mm	PART NO 10084160	Rev. A
	catalog no	CUSTOMER	sheet 4 of 6

DETAIL E



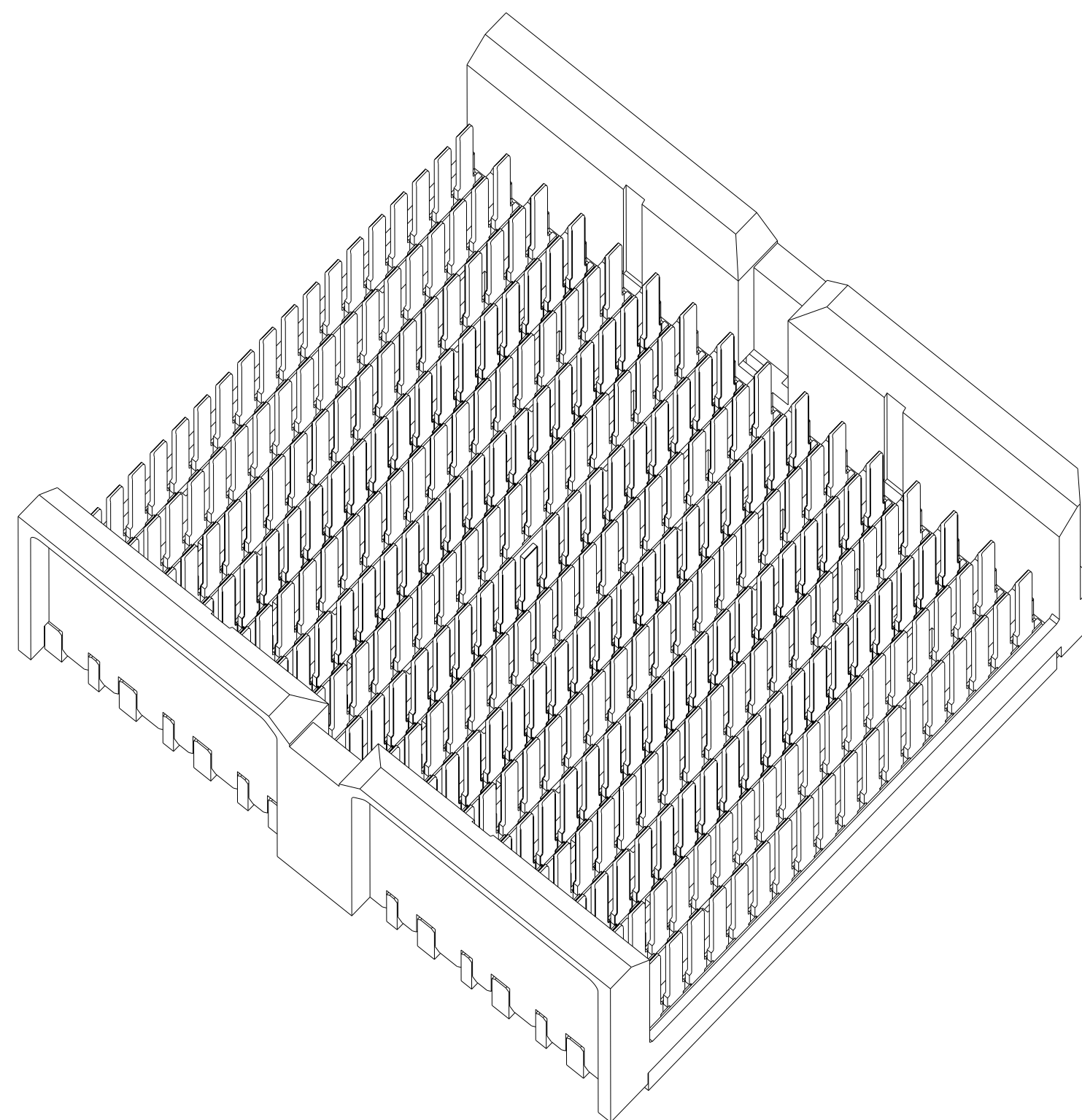
Copyright FCJ

FCJ	title	ZipLine VERT HDR SPECIAL 6 PR	drawing no	10084160	Rev.	A
	catalog no	16 COLUMN, 2+12+2, 1.8mm PITCH, 28.8mm		CUSTOMER		sheet 5 of 6

PART NUMBER	PRESS-FIT TAIL PLATING TYPE	SHORT DETECT CONTACT
10084160-101	TIN LEAD ALLOY OVER NICKEL	NO
10084160-101LF	TIN OVER NICKEL (LEAD FREE)	NO
10084160-111	TIN LEAD ALLOY OVER NICKEL	YES
10084160-111LF	TIN OVER NICKEL (LEAD FREE)	YES

NOTES:

1. CONNECTOR MATERIALS:
HOUSING: HIGH TEMP THERMOPLASTIC, BLACK, UL94V-0
IMLA PLASTIC: HIGH TEMP THERMOPLASTIC, BLACK, UL94V-0
CONTACT: COPPER ALLOY
2. CONTACT PLATING:
SEPARABLE INTERFACE: PERFORMANCE-BASED PLATING, QUALIFIED TO MEET THE REQUIREMENTS OF FCI PRODUCT SPECIFICATION GS-12-452 INCLUDING TELCORDIA GR-1217-CORE (NOVEMBER 1995) CENTRAL OFFICE TEST SEQUENCE
PRESS-FIT TAILS: SEE TABLE
3. PRODUCT SPECIFICATION: GS-12-452.
4. APPLICATION SPECIFICATION: GS-20-094.
5. PRODUCT MARKING, (PART NUMBER & LOT CODE), ON THESE SURFACES.
6. CONNECTOR OUTLINE WITH HOUSING POS A13, A1 FOR 10076222, INDICATOR MAY BE SCREEN PRINTED ONTO CUSTOMER PCB TO BE USED AS A GUIDE FOR MANUAL CONNECTOR PLACEMENT.
7. THERE IS NO GROUND BUSSING WITHIN THE HEADER CONNECTOR. HOWEVER, POSITIONS R1, R3, R5, R7, R9, R11, R13 & R15 OF THE MATING RECEPTACLE ARE BUSSED. THESE MUST BE ASSIGNED AS GROUNDS.
8. REFER TO CUSTOMER DRAWING 10045979 FOR INFORMATION ON PCB HOLE DIAMETERS AND PLATING OPTIONS.
9. THIS PRODUCT MEETS EUROPEAN UNION DIRECTIVES AND OTHER COUNTRY REGULATIONS AS DESCRIBED IN GS-22-008.
10. THE HOUSING WILL WITHSTAND EXPOSURE TO 260°C PEAK TEMPERATURE FOR 40 SECONDS IN A CONVECTION, INFRA-RED OR VAPOR PHASE REFLOW OVEN.
11. PACKAGING MEETS GS-14-920 LEAD FREE LABELING SPECIFICATION.
12. MINIMUM PCB THICKNESS TO BE 3.5mm FOR ORTHOGONAL APPLICATIONS.
13. FOR -11X ASSEMBLIES, MATING PIN J7 HAS 0.60 mm LESS NOMINAL WIPE THAN OTHER PINS.
14. THE MINIMUM CENTERLINE SPACING BETWEEN ADJACENT MODULES IS 28.8 mm.



10084160-111

FCI	title	ZipLine VERT HDR SPECIAL 6 PR	dwg no	10084160	Rev.	A
		16 COLUMN, 2+12+2, 1.8mm PITCH, 28.8mm				
	catalog no			CUSTOMER	sheet 6 of 6	