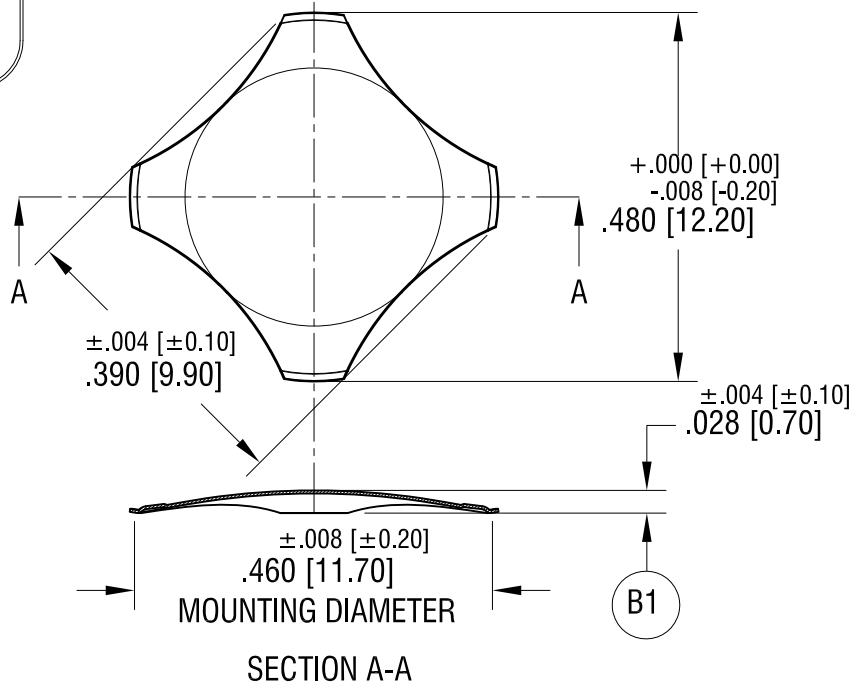
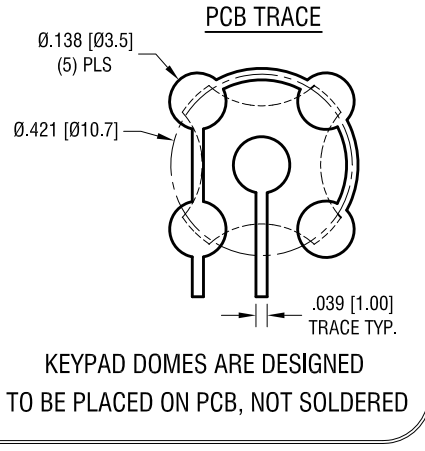


THIS DOCUMENT IS THE PROPERTY OF KEYSTONE ELECTRONICS CORP. AND SHALL NOT BE REPRODUCED, DISTRIBUTED OR USED AS A BASIS FOR MANUFACTURE WITHOUT PRIOR WRITTEN PERMISSION FROM KEYSTONE ELECTRONICS CORP.

ACTUAL SIZE



NOTE:

1. VOLTAGE/CURRENT MAXIMUM: 12mA@ 24 Volts DC
2. OPERATING TEMPERATURE: -40°F [-40°C] TO 220°F [105°C]
3. STORAGE TEMPERATURE: -65°F [-55°C] TO 250°F [125°C]
4. TRIP FORCE: 340g

2.27.23	(B1) WAS $.030 \pm .004$ CHANGE AS PER ECN 23-025	B
5.26.22	SUPPLIED IN BULK WAS SUPPLIED IN TUBE CHANGE AS PER ECN 22-075	A
DATE	DESCRIPTION	REV.

<b>KEYSTONE ELECTRONICS CORP.</b>			
www.keyelco.com • NEW HYDE PARK NY 11040 • Tel (516)328-7500			
PART NAME		MAXI 4 LEG DOME	
MATERIAL		.004 [0.10] TH'K STAINLESS STEEL	
FINISH		DRN BY	DATE
NICKEL PLATE		NT	3.30.17
		APP'D	SCALE
		<b>MR</b>	5X
TOLERANCES	INCH [MM]	CODE	DWG NO.
DECIMAL	$\pm .005$ [ $\pm 0.13$ ]	C	<b>5175</b>
ANGULAR	$\pm 1^\circ$		
UNLESS OTHERWISE SPECIFIED			