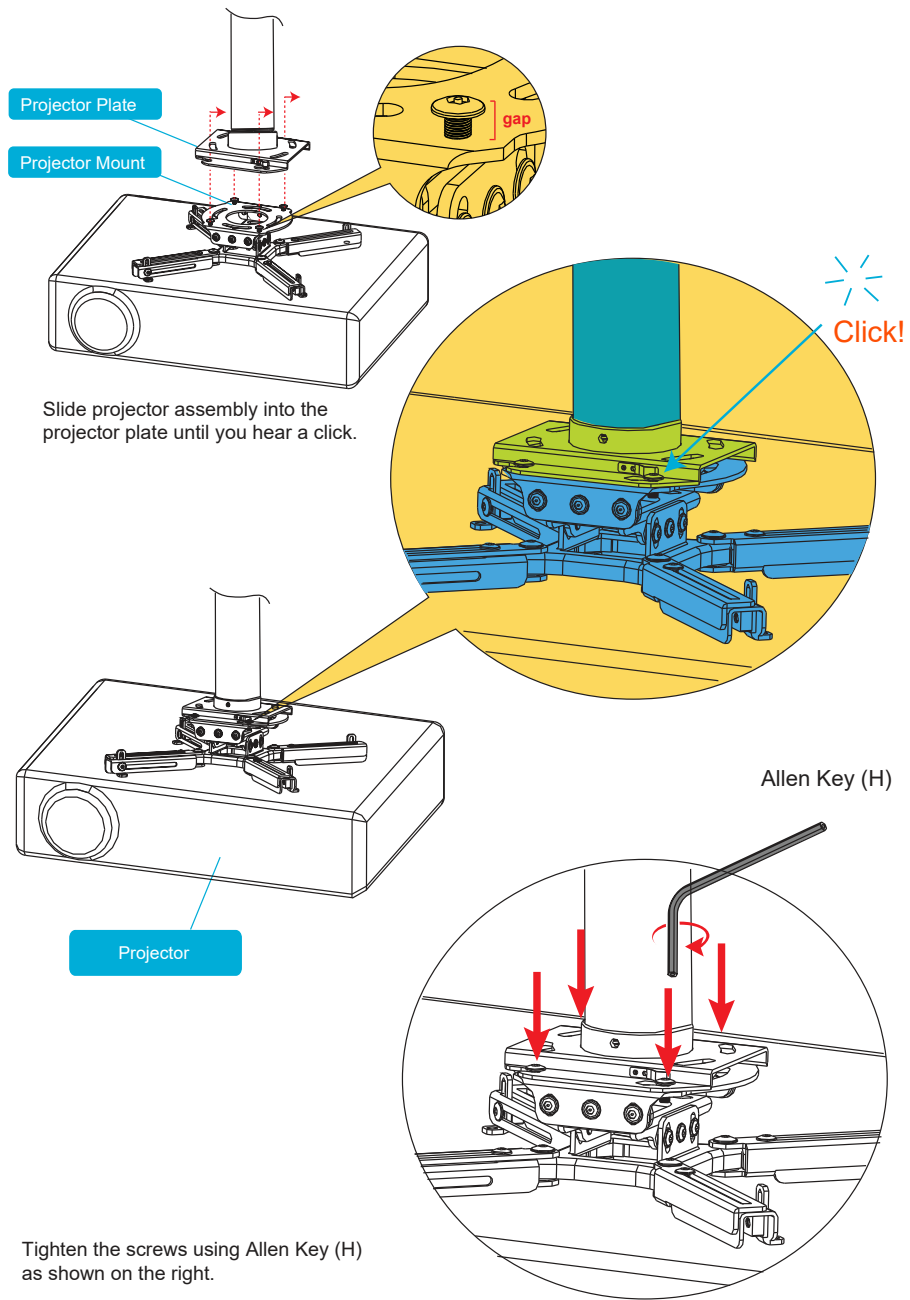


7 Hanging the Projector Assembly onto the Projector Plate



PROJECTOR MOUNTING KIT



Scan the QR Code™ below for more info about this product:



CAUTION!

Do not exceed the maximum rated weight specified. Otherwise, serious injury or property damage may occur.



■ 1 Year Limited Warranty

■ Version: November 2017

NOTE Please read the entire installation manual before you start installation and assembly.

WARNING

- Do not begin to install your QualGear product until you have read and understood all the instructions and warnings contained in this installation manual. If you have any questions regarding the instructions, for US customers, please contact QualGear customer support via email at support@qualgear.com. For all international customers, please contact your local distributor.
- This product requires installation by someone who has experience with basic building construction and fully understands these instructions.
- This product was designed to be installed and operated exactly as specified in this manual. Improper installation of this product may cause damage or serious injury. QualGear is not liable for the improper use or installation of its products.
- Make sure that the supporting surface safely supports the combined load of the equipment and all attached hardware and components.
- Always use an assistant or mechanical lifting equipment to lift and position the equipment safely.
- Tighten screws firmly, but do not overtighten. Overtightening can damage the items, greatly reducing their holding power.
- ALL QUALGEAR products are intended for indoor use only and any outdoor use voids the limited warranty. For warranty information, please visit:
<http://www.qualgear.com/warranty.php>
- Never exceed the maximum rated weight specified in this manual.
- All hardware must be used at the designated points in the installation instructions to prevent property damage and personal injury.
- This product was designed to be compatible with all standard 1.5" NPT pipes.

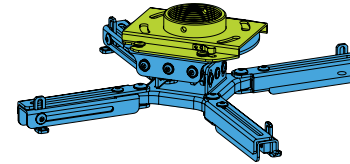
IMPORTANT: Installers must verify that the supporting surface safely supports the combined weight of the equipment and all attached hardware and components.

Maintenance

Please check that the ceiling projector mount is secure and safe to use at regular intervals. If you have any questions regarding any of the instructions or warnings, please contact your local distributor (OR) contact QualGear technical support via email at support@qualgear.com.

Parts Checklist

IMPORTANT: Before starting the installation, please check that all parts shown in this checklist are included. If any parts are missing or damaged, contact your local distributor or support@qualgear.com for replacement parts and do not start assembly and installation until you receive all the parts.



Projector Mount
A (x1)



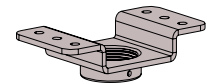
Marking Template
B (x1)



Decorative Cover
C (x1)



3-Inch NPT
Pipe D (x1)



Adapter Plate
E (x1)

Hardware Package



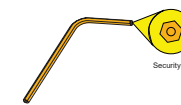
Screws
F (x2)



Metal Expansion
Anchors
G (x4)



M4-M6
Allen Key
H (x1)



M2.5 Allen Key
I (x1)



M6 x 10mm
Screws
J (x4)



Washers
K (x4)



M5 x 4mm
Screws
L (x2)



M5 x 4mm
Security Screws
M (x4)



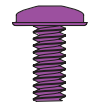
M6 Washer
N (x2)



M3 x 8mm
Screws
O (x4)

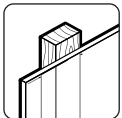


M4 x 10mm
Screws
P (x4)

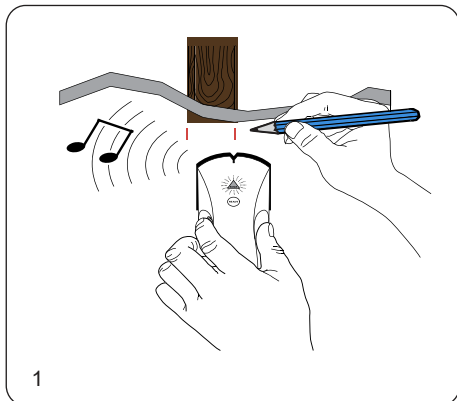


M5 x 10mm
Screws
Q (x4)

1a Mounting to a Wooden Joist or Wooden Stud Ceiling

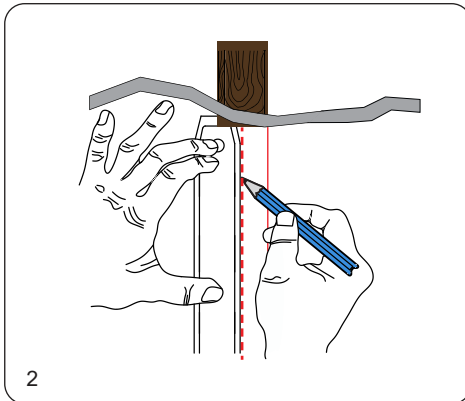


NOTE For concrete ceiling mounting, follow step 1b.



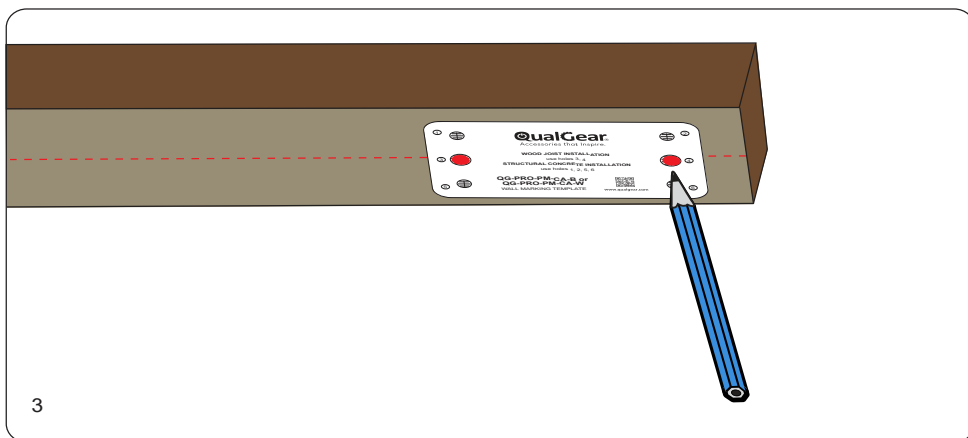
1

Using an edge-to-edge stud finder, find the edges of the stud.



2

Using a straight edge, mark the centerline of the stud.



3

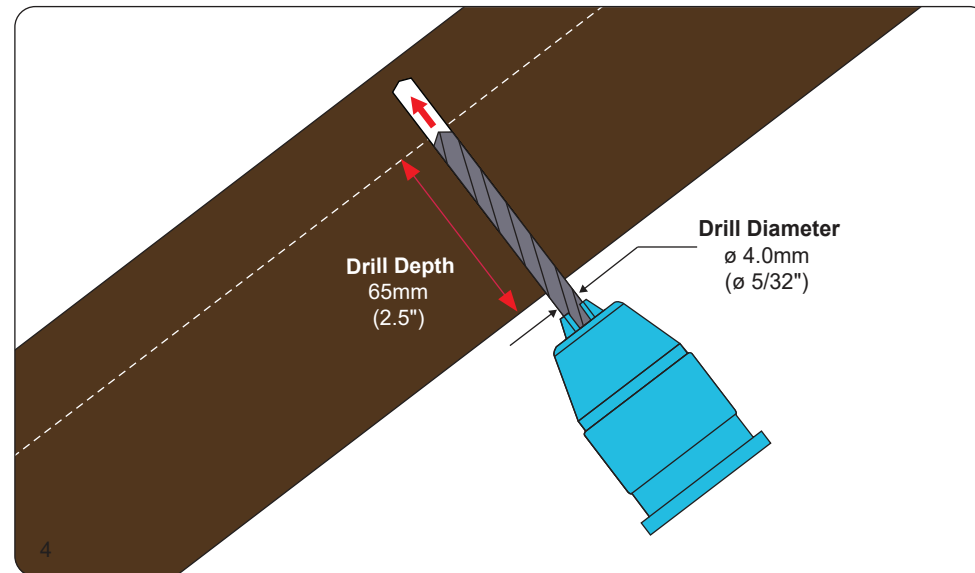
Using wall marking template (B), mark on the center of the stud the locations of where you want to mount the ceiling adapter.

TIP

Depending on the direction of the studs, choose the mounting holes accordingly.

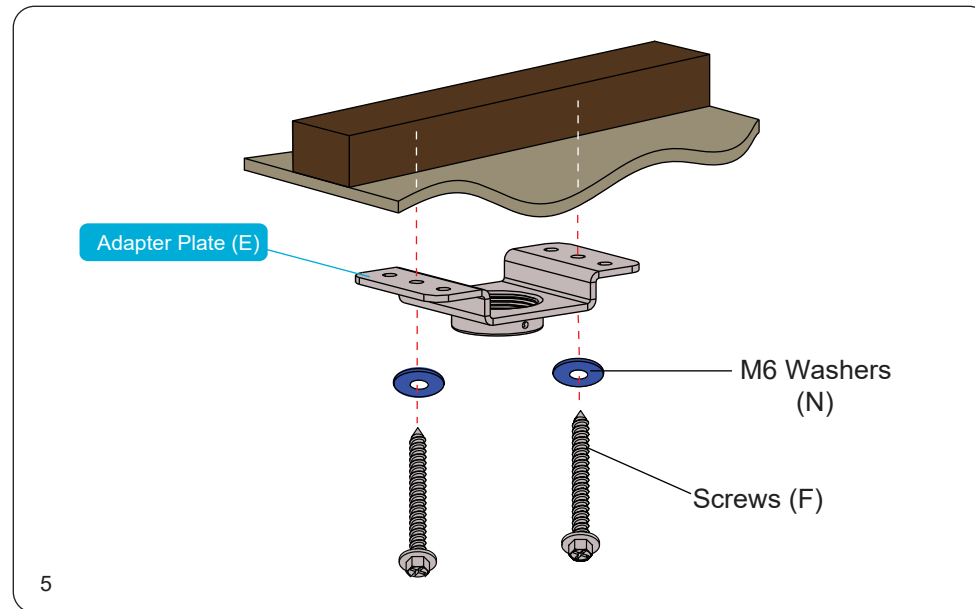


SKIP TO STEP 2 →



4

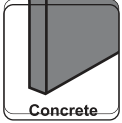
Using a power drill and a 5/32" wood drill bit, drill holes of 5/32" (4mm) diameter, and 2.5" (65mm) depth at the marked locations.



5

Align the mounting holes on the adapter plate (E) with the drilled holes and then tighten screws (F) and washers (N) with a socket wrench.

1b Mounting to a Concrete Ceiling

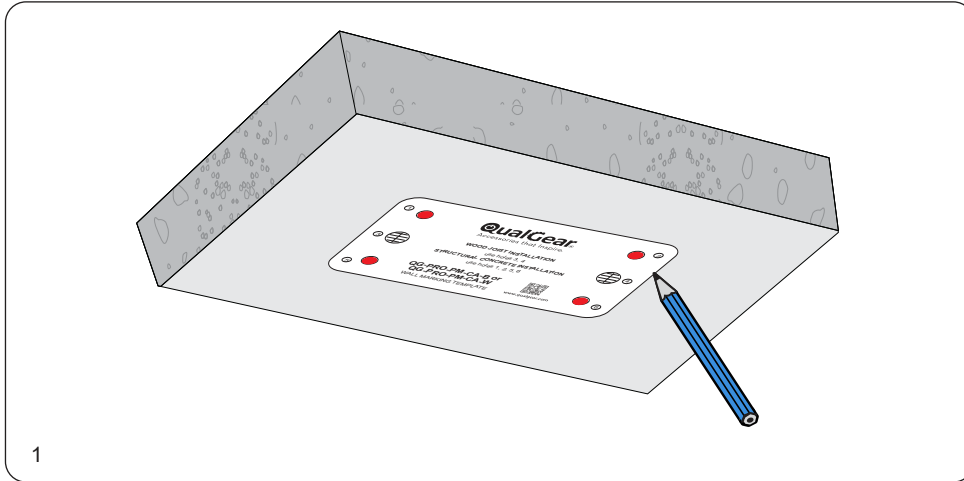


Concrete

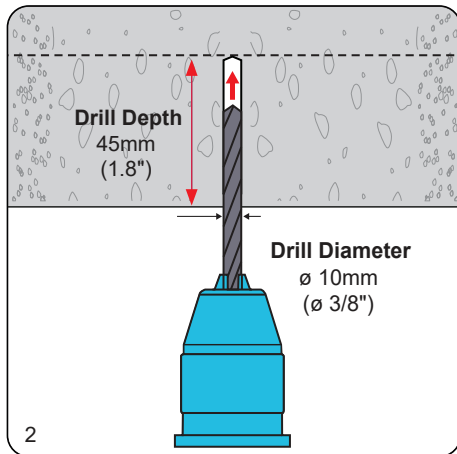


TIP

Make sure that the drilled holes are free of dust for proper installation of anchors.

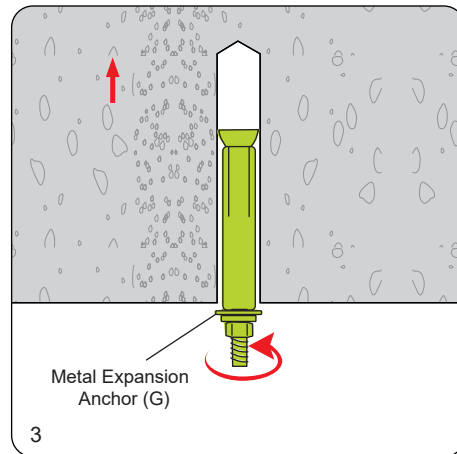


Using wall marking template (B), mark on the concrete the locations of where you want to mount the ceiling adapter.



Drill Depth
45mm
(1.8")

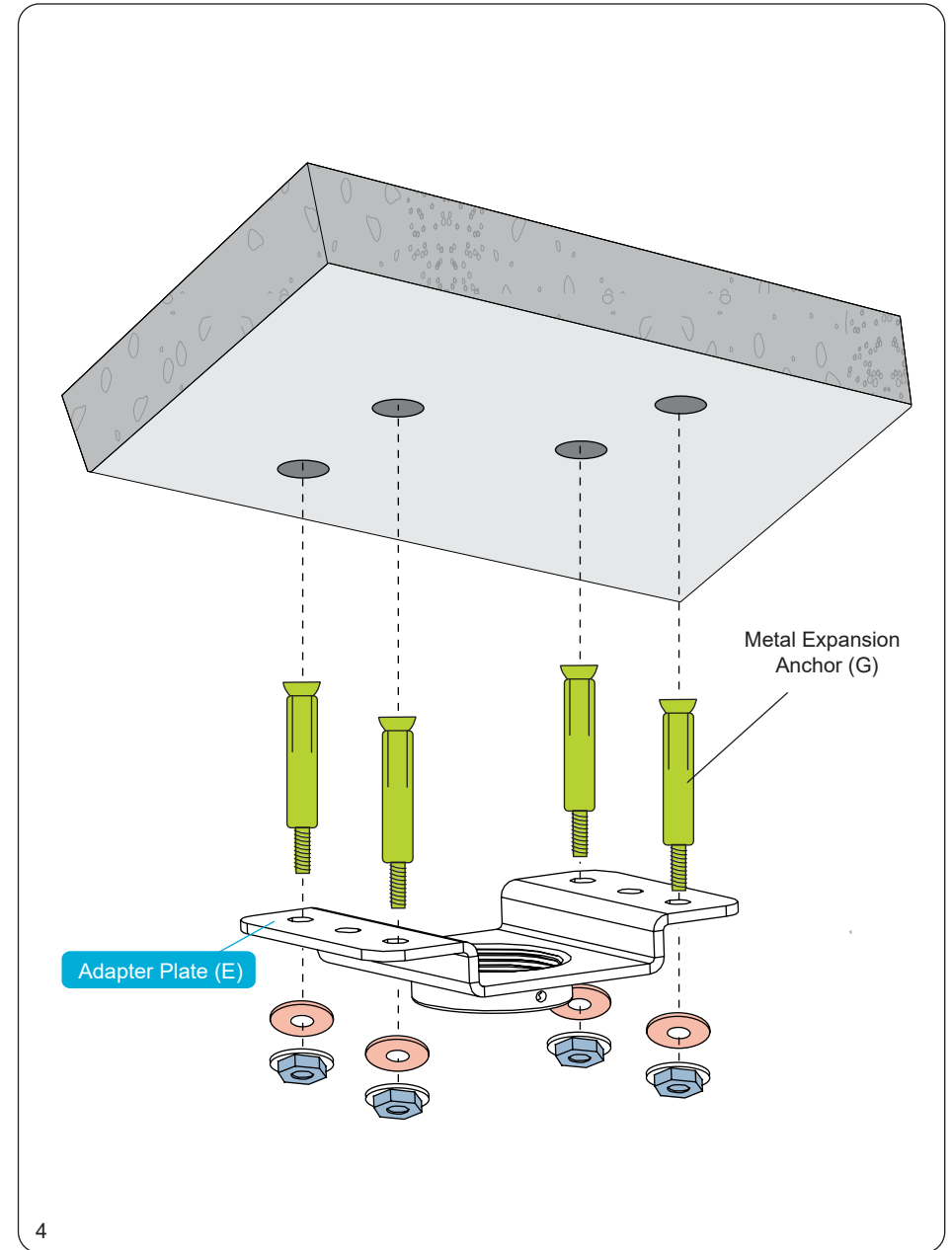
Drill Diameter
ø 10mm
(ø 3/8")



Metal Expansion
Anchor (G)

Using a power drill and a 1/4" masonry drill bit, drill four holes of 1/4" (6.0 mm) diameter and 1.5" (38 mm) depth at the marked locations.

Insert and hammer the metal expansion anchors (G) into the drilled holes, then take off the washers and the nuts on the anchor with a socket wrench.



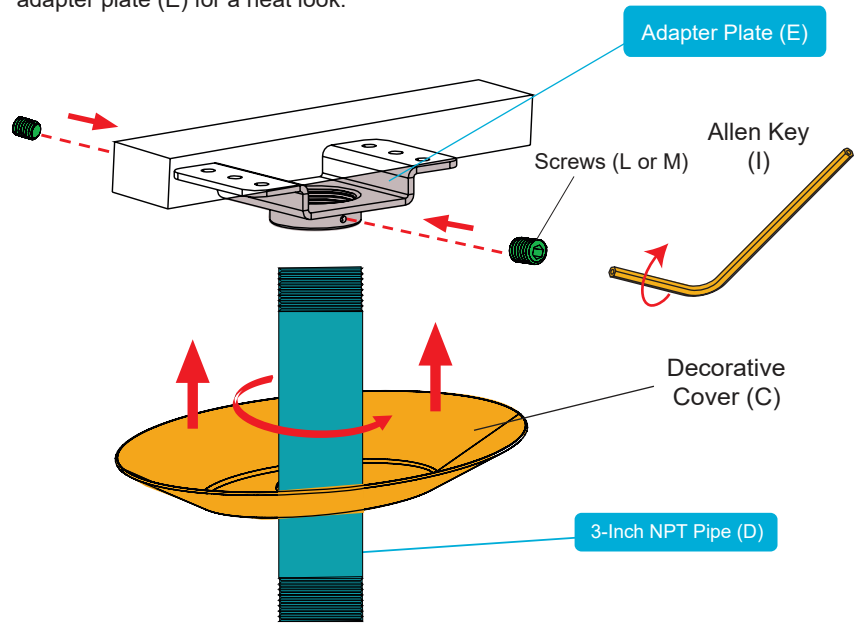
Adapter Plate (E)

Metal Expansion
Anchor (G)

After setting the metal expansion anchors (G) into the drilled holes, align them with the mounting holes on the adapter plate. Then place the washers and the nuts from the end of the anchors and tighten with a socket wrench.

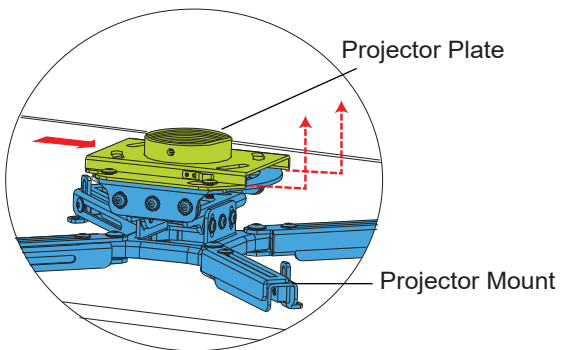
2 Installing the Pipe and Decorative Cover

To connect the 3-Inch NPT pipe to the mounted adapter plate, twist the male threaded end to the female thread on the adapter. Using Allen Key (I), tighten screws (L or M) onto the pipe and secure the position. Then pull the decorative cover (C) up the pipe to conceal the adapter plate (E) for a neat look.



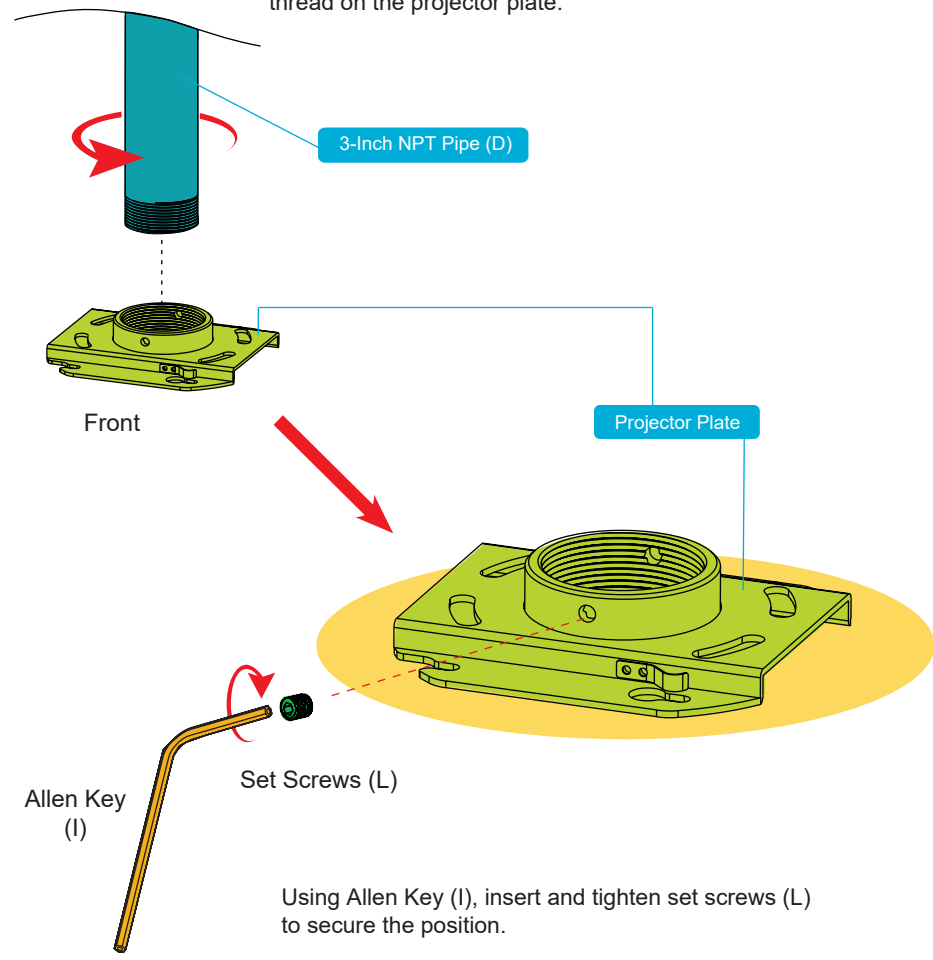
3 Disconnecting the Projector Plate from the Projector Mount

Slide the projector plate out from the projector assembly as shown on the right to disconnect the projector plate from the projector mount.



4 Connecting the Pipe to the Projector Plate

To connect the 3-Inch NPT pipe (D) to the projector plate, twist the male threaded end of the pipe into the female thread on the projector plate.

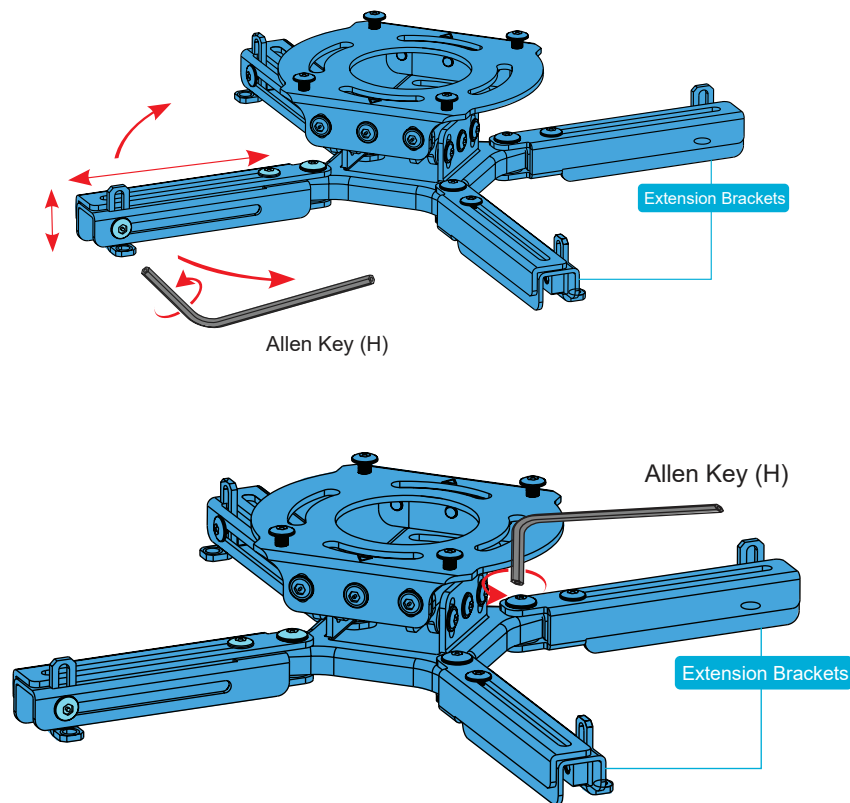


Using Allen Key (I), insert and tighten set screws (L) to secure the position.

! WARNING

- Installers are responsible for providing hardware for other types of mounting situations.
- Installers must verify that the supporting surface safely supports the combined weight of the equipment and all attached hardware and components.

5 Making Adjustment for Mounting



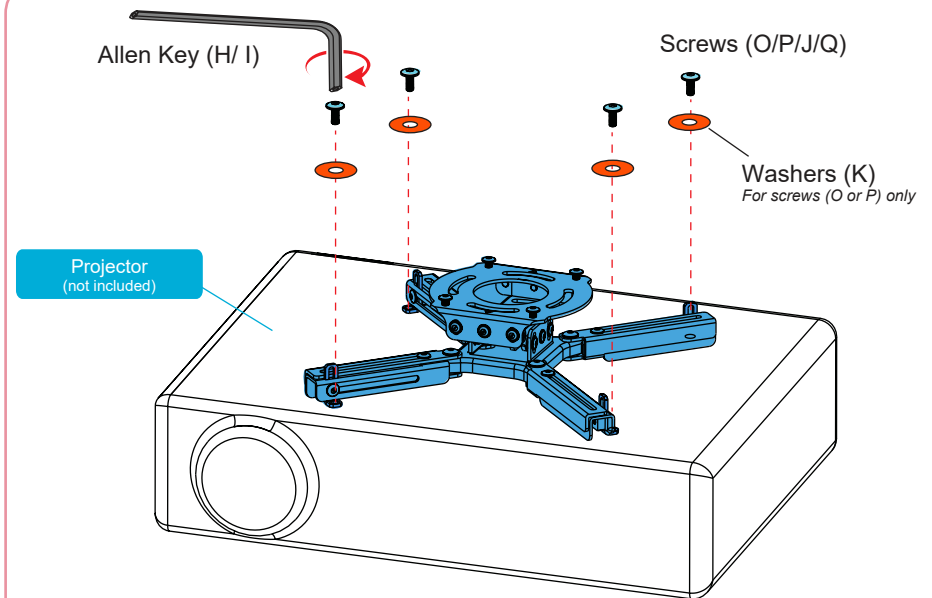
Depending on your projector, adjust the extension brackets on the projector mount (A) accordingly by using Allen Key (H).

If your projector model has three mounting holes only, please remove the fourth extension bracket using Allen Key (H).

TIP

The length and height of the extension brackets can be changed by sliding in and out, or up and down.

6 Attaching the Projector Mount to the Projector



NOTE Use washers (K) for screws (O or P) only.

Depending on your projector, use the appropriate screws (O/P/J/Q) and then attach the projector mount to the projector and tighten with Allen Key (H or I).

