

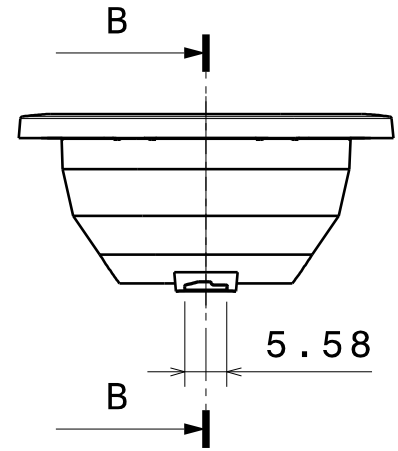
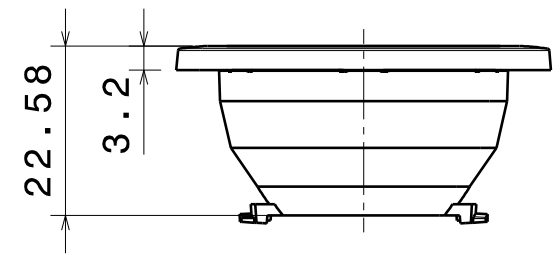
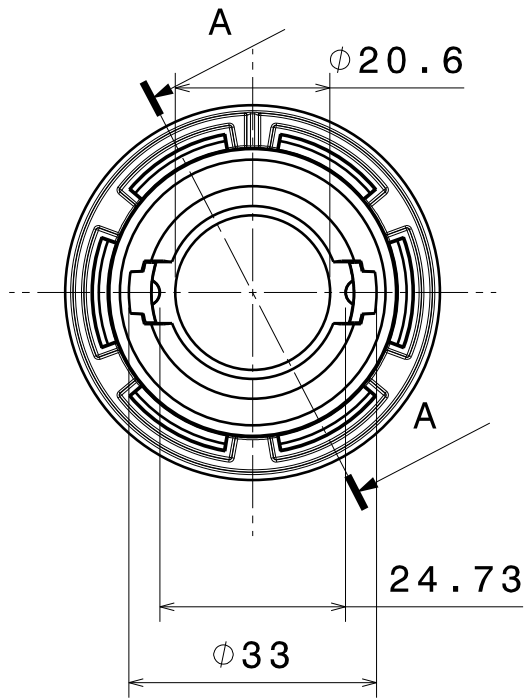
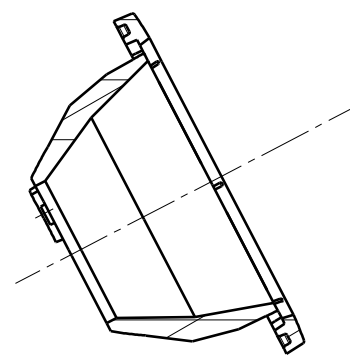
4

3

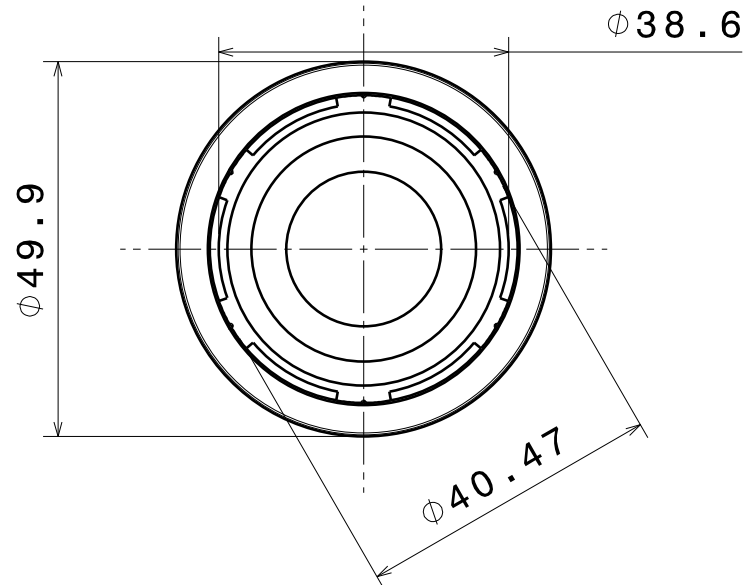
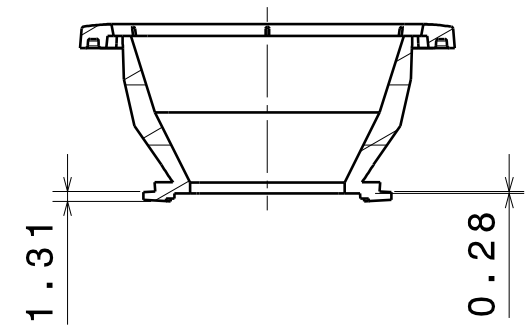
2

1

SECTION A-A



SECTION B-B



INDEX	PART NO	DESCRIPTION	MATERIAL	COLOUR
1	F15558	MIRELLA-G2-S	PC	Mirror

Tolerances if not otherwise shown
 According to DIN ISO 2768-1
 Linear measures:
 Up to 30mm class M, otherwise class N.
 According to DIN ISO 2768-2
 Form and position: class K
 Control for SPC marked dimensions.

LEDiL LediL Oy
 Salorankatu 10
 FIN 24240 SALO
 Finland

FIRST ANGLE PROJECTION:

DRAWING TITLE
 F15558_MIRELLA-G2-S

This drawing is the property
 of LEDiL Oy. It may not be
 reproduced, copied or
 communicated without a written
 agreement with LEDiL Oy.

SIZE	PART NUMBER
A3	F15558

SCALE	1:1	WEIGHT	4.7 g	SHEET	1/1
-------	-----	--------	-------	-------	-----