

**Ratings**

Temperature: -40 ~ 70 °C  
Voltage: 150 V

**Conductor**

Gauge: 30 AWG 0.05 mm<sup>2</sup>  
Material: tinned copper strands  
Strand size:  $\varnothing 0.05 \times 25$   
Resistance at 20 °C: 385  $\Omega$  /km max

**Insulator**

Material: HDPE  
Color: purple, orange, green, blue, yellow, white, black, red  
Diameter:  $\varnothing 0.65 \pm 0.10$  mm  
Nominal thickness: 0.15 mm  
Resistance at 20 °C: 1000 M $\Omega$  /km min

**Shield**

Type: spiral  
Material: tinned copper strands  
Stranding:  $\varnothing 0.08$  mm  
Coverage: 90 % min

**Outer jacket**

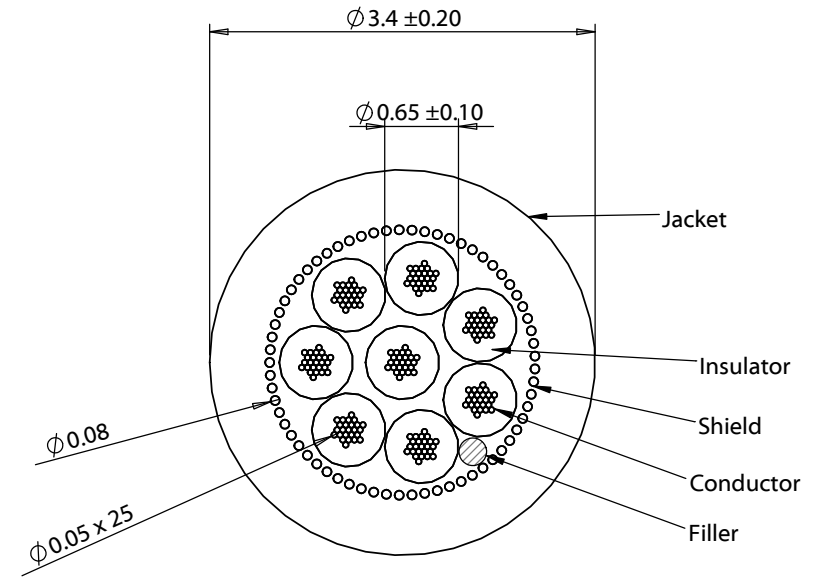
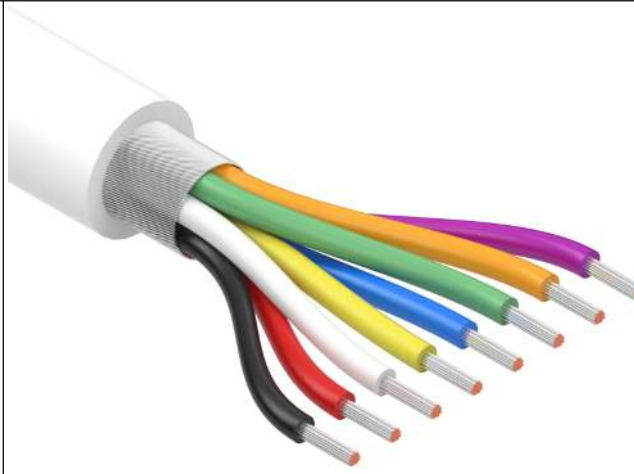
Material: TPU  
Color: white (Cool Gray 1C)  
Nominal thickness: 0.50 mm  
Diameter:  $\varnothing 3.4 \pm 0.20$  mm

**Filler**

Material: aramid fiber

**Tests**

Tensile strength: 25.5 kgf  
Dielectric test: 1500 V dc for 1 minute without breakdown  
Bend test at 200 g,  $\pm 90^\circ$ , 30 cycles /min: 10,000 cycle minimum



Revision:	Date:	Description:
A	10/10/2018	Initial release
A1	1/18/2019	Changed filler material to generic name

Prepared: PS  
Digitally signed by PS  
Date: 2019.07.19  
16:09:40 -07'00'

Verified: CH  
Digitally signed by CH  
Date: 2019.07.19  
10:34:14 -07'00'

Dimensions are in millimeters.  
Tolerances:  
X:  $\pm 0.5$  mm  
X.X:  $\pm 0.3$  mm  
X.XX:  $\pm 0.05$  mm

Notes:  
RoHS compliant  
Jacket meets ISO 10993 Biological Compatibility  
Phthalate and halogen free  
Function test: no open, no short, no intermittent

Description:  
Wire, 8C TS, 30 AWG, 150V, 70C, 3.4 mm, shielded, TPU, 75A, white, WBL

**TENSILITY**

tel 1.541.323.3228 800 877.670.7118  
fax 1.541.323.4202 web tensility.com

Size: A Part number: 30-01175

Scale: 15:1 Sheet 1 of 1