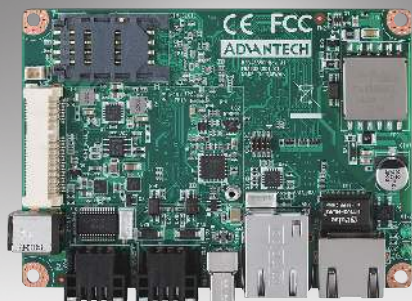


# RSB-3850

## Intel Quark x1000 2.5" SBC

### Preliminary



### Features

- Intel Quark x1000 Single core 400MHz
- On-board DDR3 800MHz 512MB
- Support 4 GPIO and 1 UART
- Support 2x 10/100 Ethernet and 1x MiniPCIe sockets
- Yocto Linux

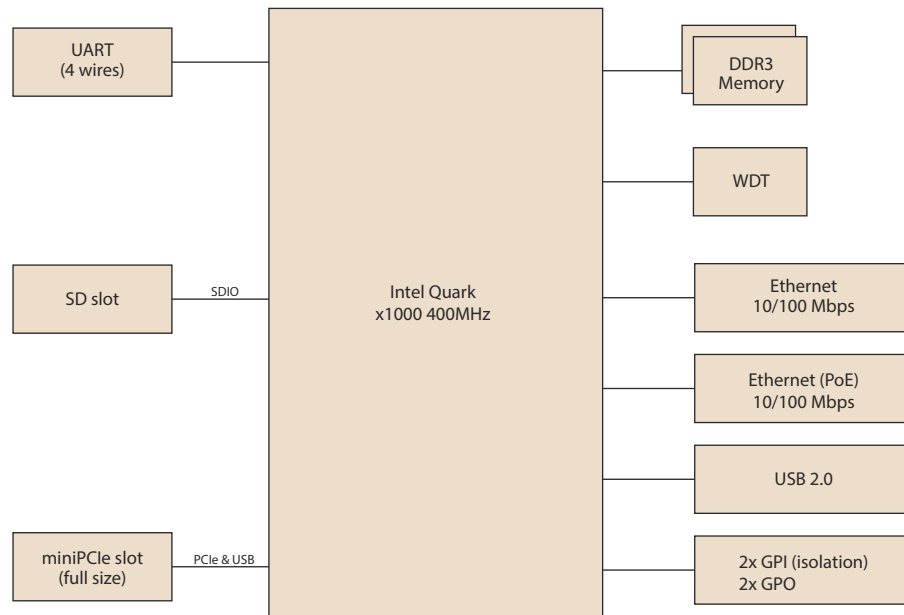
## Introduction

RSB-3850 is an Advantech SBC powered by Intel Quark x1000 processor which is a sufficient performance and cost efficient solution for IoT application. RSB-3850 support multiple connections. Also, the PoE will be easy for user to installation and maintenance.

## Specifications

Form Factor		2.5" SBC
Processor System	CPU	Intel Quark x1000 400MHz
	Technology	DDR3 800 MHz
	Capacity	On-board DDR3 512 MB
	Flash	4 MB SPI NOR Flash for Advantech boot loader
Ethernet	Chipset	onboard
	Speed	2 x 10/100 Mbps (PoE support)
WatchDog Timer		1 - 256 level
I/O	USB	1 USB 2.0 host
	SDIO	1 4-bit SD Socket
	Serial Port	1 UART (support 4 wires)
	CAN	-
	GPIO	2 pins for GPI (with isolation support) 2 pins for GPO
	LED	1 Power LED 1 LED with programmable ability
	Button	-
Expansion	Mini PCIe	1 x mini PCIe slot (PCIe and USB signals)
	SD Socket	1 x SD slot
Power	Power Supply Voltage	+12V
	Power Type	DC-in
	Power Consumption	Maximun 2.76W
Environment	Operational Temperature	0 - 60° C
	Operating Humidity	5%-95% Relative Humidity, non-condensing
SBC	Dimensions (L x W)	100 x 72 mm (3.9" x 2.8")
Operating System		Yocto Linux
Certifications		CE/FCC Class B

## Block Diagram



## Ordering Information

Part Number	CPU	Memory	Flash	LAN	GPIO	miniPCIe	Serial Port	CAN Bus	USB Host	USB OTG	SD	Operation temperature
RSB-3850CS-GPA1E	Intel Quark x1000 400MHz	DDR3 512MB	-	1x 10/100 1x 10/100 with PoE	4	1	1	-	1	-	1	0 ~ 60° C

## Packing List

Part Number	Description	Quantity
1652006794-01	6 pin terminal block	2

## Optional Accessories

Part Number	Description
SQF-ISDS1-2G-86E	SQFlash SD card SLC 2G (-40 ~ 85° C)
96PSA-A36W12R1	12V 36W PW adapter
170203183C	Power Cord 3P Europe 183cm
170203180A	Power Cord 3P UK 183cm
1700001524	Power Cord 3P UL 180cm
1700021565-01	Debug cable