

## Evaluating the ADG7421F Low Voltage Fault Protection and Detection, 12 $\Omega$ $R_{ON}$ , Dual SPST Switch

### FEATURES

- ▶ Supply voltages
  - ▶ Dual supply:  $\pm 1.8$  V to  $\pm 2.5$  V
  - ▶ Single supply: 1.8 V to 5.5 V
- ▶ Protected against overvoltage on source pins
- ▶ Signal voltages up to  $-60$  V and  $+60$  V
- ▶ LED for visual overvoltage indication
- ▶ Parallel interface compatible with 1.8 V logic

### EVALUATION KIT CONTENTS

- ▶ EVAL-ADG7421FEBZ evaluation board

### DOCUMENTS NEEDED

- ▶ [ADG7421F](#) data sheet
- ▶ EVAL-ADG7421FEBZ user guide

### EQUIPMENT NEEDED

- ▶ DC voltage source
  - ▶  $\pm 2.5$  V for dual supply
  - ▶ 5 V for single supply
- ▶ Optional digital voltage source: 5 V
- ▶ Analog signal source
- ▶ Method to measure voltage, such as a digital multimeter (DMM)

### TYPICAL EVALUATION SETUP

### GENERAL DESCRIPTION

The EVAL-ADG7421FEBZ is the evaluation board for the [ADG7421F](#), which features two single-pole/single-throw (SPST) switch channels. The ADG7421F has overvoltage detection and protection circuitry on the source pins and is protected against signals up to  $-60$  V and  $+60$  V in both the powered and unpowered states.

[Figure 1](#) shows the EVAL-ADG7421FEBZ in a typical evaluation setup. The ADG7421F is soldered to the center of the evaluation board, and two wire screw terminals are provided to connect to each of the source and drain pins. Three screw terminals are used to power the device. A fourth terminal is used to provide a user defined digital voltage, to supply the LED, which is mounted to provide visual indication of the fault status of the switch.

Full specifications on the ADG7421F are available in the product data sheet, which must be consulted in conjunction with this user guide when using the evaluation board.

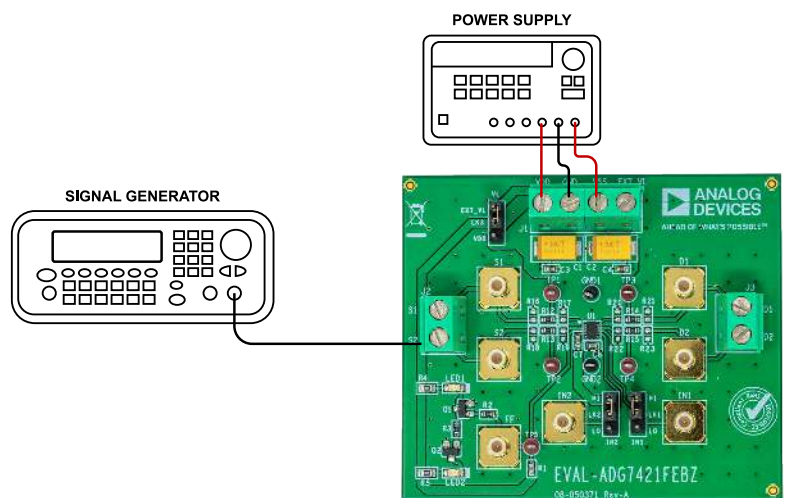


Figure 1. EVAL-ADG7421FEBZ (on Right), Power Supply, and Signal Generator

**TABLE OF CONTENTS**

Features.....	1	Power Supply.....	4
Evaluation Kit Contents.....	1	Input Signals.....	4
Documents Needed.....	1	Output Signals.....	4
Equipment Needed.....	1	Jumper Settings.....	5
General Description.....	1	Link Headers and 0 $\Omega$ Resistors.....	5
Typical Evaluation Setup.....	1	SMB Connectors.....	5
Getting Started.....	3	Evaluation Board Schematics and Artwork.....	6
Evaluation Board Setup Procedure.....	3	Ordering Information.....	8
Evaluation Board Hardware.....	4	Bill of Materials.....	8

**REVISION HISTORY****7/2021—Revision 0: Initial Version**

GETTING STARTED

EVALUATION BOARD SETUP PROCEDURE

The EVAL-ADG7421FEBZ evaluation board is designed to be operated independently and does not require any additional evaluation boards or software to operate. An external 5 V digital power supply (EXT\_VL) is required for the LED if using a V<sub>DD</sub> supply of less than 5 V.

Supply the evaluation board with a dual power source of up to ±2.5 V or a single supply of up to 5 V by connecting the VSS and GND terminals together.

Set up a simple functionality test as follows:

1. Connect a 5 V power supply to J1. Connect the VSS and GND terminals together if a single supply is required. Set LK3 to the VDD position.
2. Control the digital signals for the switch channel on the ADG7421F by using LK1 and LK2. In Position LO, the switches are open and presents as an open circuit. In Position HI, the switch is closed and presents with a resistance of approximately 12 Ω.
3. The green LED lights up to indicate that the switch is operating normally.

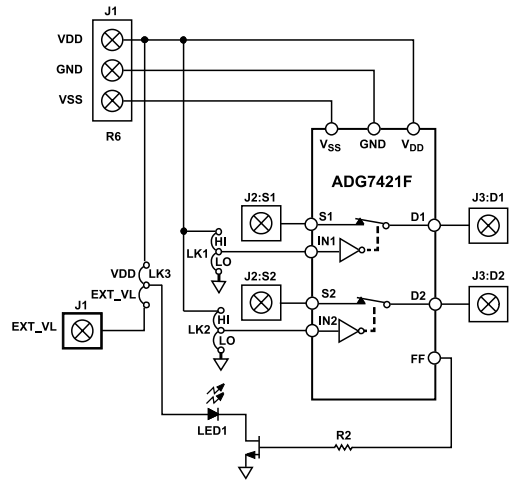


Figure 2. EVAL-ADG7421FEBZ Block Diagram

## EVALUATION BOARD HARDWARE

The operation of the ADG7421F is evaluated using the EVAL-ADG7421FEBZ. Figure 1 shows a typical evaluation setup where only a power supply and signal generator are required. Figure 2 shows the block diagram of the main components of the evaluation board.

Using this evaluation board, the ADG7421F is used to pass signals from either the source or drain connectors. The source pins have fault detection circuitry that reacts to an overvoltage event. During an overvoltage event, the switch is turned off, and the FF pin is pulled low. See the ADG7421F data sheet for more details.

### POWER SUPPLY

Connector J1 provides access to the supply pins of the ADG7421F. VDD, GND, and VSS link to the respective VDD, GND, and VSS pins on the ADG7421F. For dual supply voltages, the evaluation board can be powered from  $\pm 1.8$  V to  $\pm 2.5$  V. For single-supply voltages, the GND and VSS terminals must be connected together, and the evaluation board can be powered from 1.8 V to 5 V. A secondary voltage source can be connected to EXT\_VL and used as the power supply for the indicator LEDs. This secondary voltage source is required if the VDD voltage is less than 5 V. To use EXT\_VL, move the LK3 link into the EXT\_VL position.

### INPUT SIGNALS

Two 2-pin screw connectors are provided to connect to both the source and drain pins of the ADG5401F. Additional Subminia-

ture Version B (SMB) connectors are available if extra connections are required. The ADG7421F is overvoltage protected on the source side, and each source terminal (S1 and S2) can be presented with a voltage of up to +60 V or -60 V. See the ADG7421F data sheet for more details.

Each trace on the source and drain terminals includes two sets of 0603 pads, which can be used to place a load on the signal path to ground. A 0  $\Omega$  resistor is placed in the signal path and can be replaced with a user defined value. The resistor combined with the gold pin connectors can be used to create a simple RC filter.

The ADG7421F uses a parallel interface to control the operation of the switch channel. The switch operation can be manually controlled using the headers on LK1 and LK2, or an external controller can be interfaced directly to the control pins by using the SMB connectors (IN1 and IN2) and removing the link headers on LK1 and LK2.

### OUTPUT SIGNALS

The FF pin is an open-drain output. This pin indicates when the device is operating normally or whether there is an overvoltage fault on one of the source pins. For visual indication, LEDs are mounted on the EVAL-ADG7421FEBZ. When the device operates normally, the FF pin remains high (a pull-up resistor required), and LED1 illuminates green. If an overvoltage occurs at any of the source pins, the FF pin pulls low, and LED2 illuminates red.

## JUMPER SETTINGS

### LINK HEADERS AND 0 $\Omega$ RESISTORS

The link headers are used to control the [ADG7421F](#) manually and configure the digital control voltage. 0  $\Omega$  resistors are used to isolate the LED from the rest of the system. [Table 1](#) shows a summary of the link headers, the pull-up resistor, and 0  $\Omega$  resistors, and how they are used on the evaluation board.

LK1 and LK2 are used to control the switch channels of the ADG7421F. Position LO opens the switch, and Position HI closes the switch.

Resistors R2 and R3 connect the FF pin of the ADG5401F to the LED controls.

**Table 1. Link Header Descriptions**

Label	Position	Description
LK1	HI	S1/D1 switch closed
	LO	S1/D1 switch open
LK2	HI	S1/D1 switch closed
	LO	S1/D1 switch open
LK3	EXT_VL	On-board LEDs powered with VDD
	VDD	On-board LEDs powered with EXT_VL
R2, R3	Inserted	FF pin connected to LED
	Removed	FF pin disconnected from LED
R1	Inserted	1 k $\Omega$ pull-up resistor at FF pin
	Removed	No external pull-up resistor at FF pin

### SMB CONNECTORS

The parallel interface of the ADG7421F is controlled manually using the link headers, LK1 and LK2, or it can be accessed using the SMB connectors, IN1 and IN2. To use the SMB connectors, remove the LK1 and LK2 link headers. The FF SMB connector is used to access the FF digital output from the ADG7421F.

EVALUATION BOARD SCHEMATICS AND ARTWORK

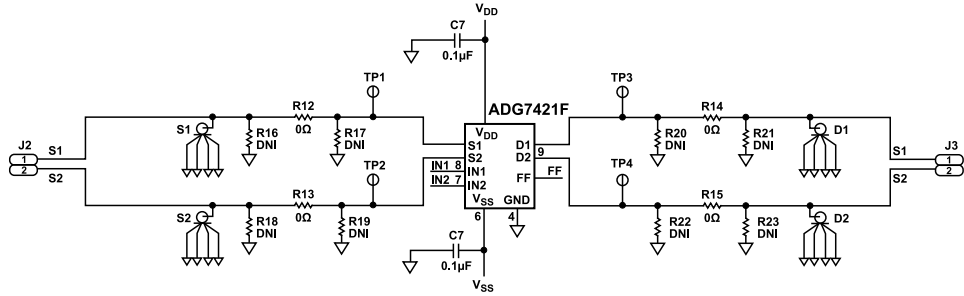


Figure 3. EVAL-ADG7421FEBZ Evaluation Board Schematic—Page 1

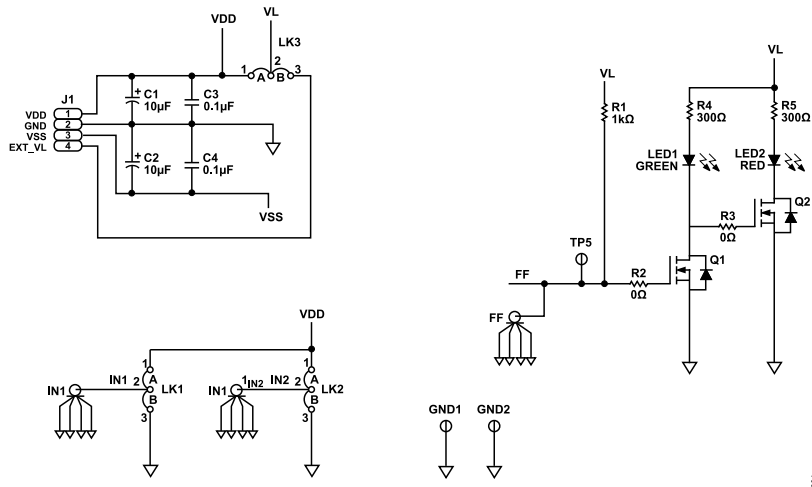


Figure 4. EVAL-ADG7421FEBZ Evaluation Board Schematic—Page 2

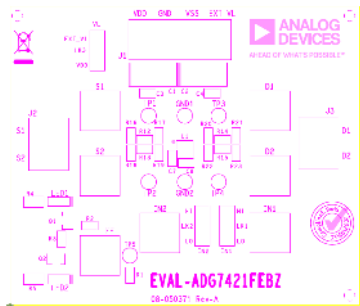


Figure 5. EVAL-ADG7421FEBZ Silkscreen

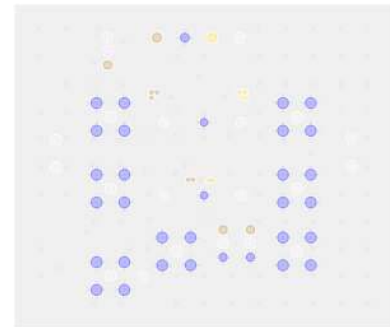


Figure 7. EVAL-ADG7421FEBZ Layer 2



Figure 6. EVAL-ADG7421FEBZ Top Layer

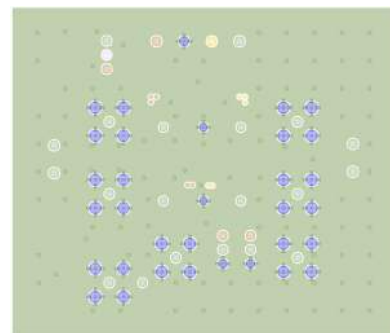


Figure 8. EVAL-ADG7421FEBZ Layer 3

EVALUATION BOARD SCHEMATICS AND ARTWORK

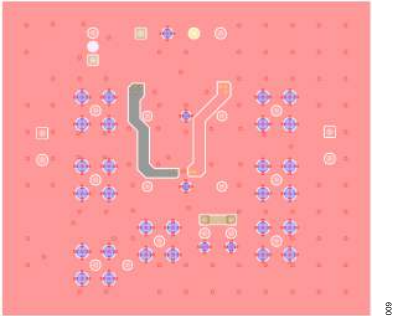


Figure 9. EVAL-ADG7421FEBZ Bottom Layer

## ORDERING INFORMATION

## BILL OF MATERIALS

Table 2.

Reference Designator	Description
C1, C2	50 V, 10 $\mu$ F tantalum capacitors, D size
C3, C4, C7, C8	50 V, X7R, 0.1 $\mu$ F multilayer ceramic capacitors, 0603
S1, S2, D1, D2	50 $\Omega$ , SMB socket
IN1, IN2	50 $\Omega$ , SMB socket
GND1, GND2	Black test point
J1	4-pin terminal block (5 mm pitch)
J2, J3	2-pin terminal block (5 mm pitch)
LED1	LED, SMD, green, 0805
LED2	LED, SMD, red, 0805
LK1, LK2, LK3	3-pin, single inline (SIL) header and shorting link
Q1, Q2	Transistor, N channel MOSFET, 60 V, 0.23 A, SOT-23
R1	Resistor, 1 k $\Omega$ , 0.063 W, 1%, 0603
R2, R3, R12 to R15	Resistor, 0603, 1%, 0 $\Omega$
R4, R5	Resistors, 300 $\Omega$ , 0.1 W, 1%, 0805
TP1 to TP5	Red test point
U1	ADG7421F, overvoltage protection switch

**ESD Caution**

**ESD (electrostatic discharge) sensitive device.** Charged devices and circuit boards can discharge without detection. Although this product features patented or proprietary protection circuitry, damage may occur on devices subjected to high energy ESD. Therefore, proper ESD precautions should be taken to avoid performance degradation or loss of functionality.

**Legal Terms and Conditions**

By using the evaluation board discussed herein (together with any tools, components documentation or support materials, the "Evaluation Board"), you are agreeing to be bound by the terms and conditions set forth below ("Agreement") unless you have purchased the Evaluation Board, in which case the Analog Devices Standard Terms and Conditions of Sale shall govern. Do not use the Evaluation Board until you have read and agreed to the Agreement. Your use of the Evaluation Board shall signify your acceptance of the Agreement. This Agreement is made by and between you ("Customer") and Analog Devices, Inc. ("ADI"), with its principal place of business at Subject to the terms and conditions of the Agreement, ADI hereby grants to Customer a free, limited, personal, temporary, non-exclusive, non-sublicensable, non-transferable license to use the Evaluation Board FOR EVALUATION PURPOSES ONLY. Customer understands and agrees that the Evaluation Board is provided for the sole and exclusive purpose referenced above, and agrees not to use the Evaluation Board for any other purpose. Furthermore, the license granted is expressly made subject to the following additional limitations: Customer shall not (i) rent, lease, display, sell, transfer, assign, sublicense, or distribute the Evaluation Board; and (ii) permit any Third Party to access the Evaluation Board. As used herein, the term "Third Party" includes any entity other than ADI, Customer, their employees, affiliates and in-house consultants. The Evaluation Board is NOT sold to Customer; all rights not expressly granted herein, including ownership of the Evaluation Board, are reserved by ADI. CONFIDENTIALITY. This Agreement and the Evaluation Board shall all be considered the confidential and proprietary information of ADI. Customer may not disclose or transfer any portion of the Evaluation Board to any other party for any reason. Upon discontinuation of use of the Evaluation Board or termination of this Agreement, Customer agrees to promptly return the Evaluation Board to ADI. ADDITIONAL RESTRICTIONS. Customer may not disassemble, decompile or reverse engineer chips on the Evaluation Board. Customer shall inform ADI of any occurred damages or any modifications or alterations it makes to the Evaluation Board, including but not limited to soldering or any other activity that affects the material content of the Evaluation Board. Modifications to the Evaluation Board must comply with applicable law, including but not limited to the RoHS Directive. TERMINATION. ADI may terminate this Agreement at any time upon giving written notice to Customer. Customer agrees to return to ADI the Evaluation Board at that time. LIMITATION OF LIABILITY. THE EVALUATION BOARD PROVIDED HEREUNDER IS PROVIDED "AS IS" AND ADI MAKES NO WARRANTIES OR REPRESENTATIONS OF ANY KIND WITH RESPECT TO IT. ADI SPECIFICALLY DISCLAIMS ANY REPRESENTATIONS, ENDORSEMENTS, GUARANTEES, OR WARRANTIES, EXPRESS OR IMPLIED, RELATED TO THE EVALUATION BOARD INCLUDING, BUT NOT LIMITED TO, THE IMPLIED WARRANTY OF MERCHANTABILITY, TITLE, FITNESS FOR A PARTICULAR PURPOSE OR NON-INFRINGEMENT OF INTELLECTUAL PROPERTY RIGHTS. IN NO EVENT WILL ADI AND ITS LICENSORS BE LIABLE FOR ANY INCIDENTAL, SPECIAL, INDIRECT, OR CONSEQUENTIAL DAMAGES RESULTING FROM CUSTOMER'S POSSESSION OR USE OF THE EVALUATION BOARD, INCLUDING BUT NOT LIMITED TO LOST PROFITS, DELAY COSTS, LABOR COSTS OR LOSS OF GOODWILL. ADI'S TOTAL LIABILITY FROM ANY AND ALL CAUSES SHALL BE LIMITED TO THE AMOUNT OF ONE HUNDRED US DOLLARS (\$100.00). EXPORT. Customer agrees that it will not directly or indirectly export the Evaluation Board to another country, and that it will comply with all applicable United States federal laws and regulations relating to exports. GOVERNING LAW. This Agreement shall be governed by and construed in accordance with the substantive laws of the Commonwealth of Massachusetts (excluding conflict of law rules). Any legal action regarding this Agreement will be heard in the state or federal courts having jurisdiction in Suffolk County, Massachusetts, and Customer hereby submits to the personal jurisdiction and venue of such courts. The United Nations Convention on Contracts for the International Sale of Goods shall not apply to this Agreement and is expressly disclaimed.

