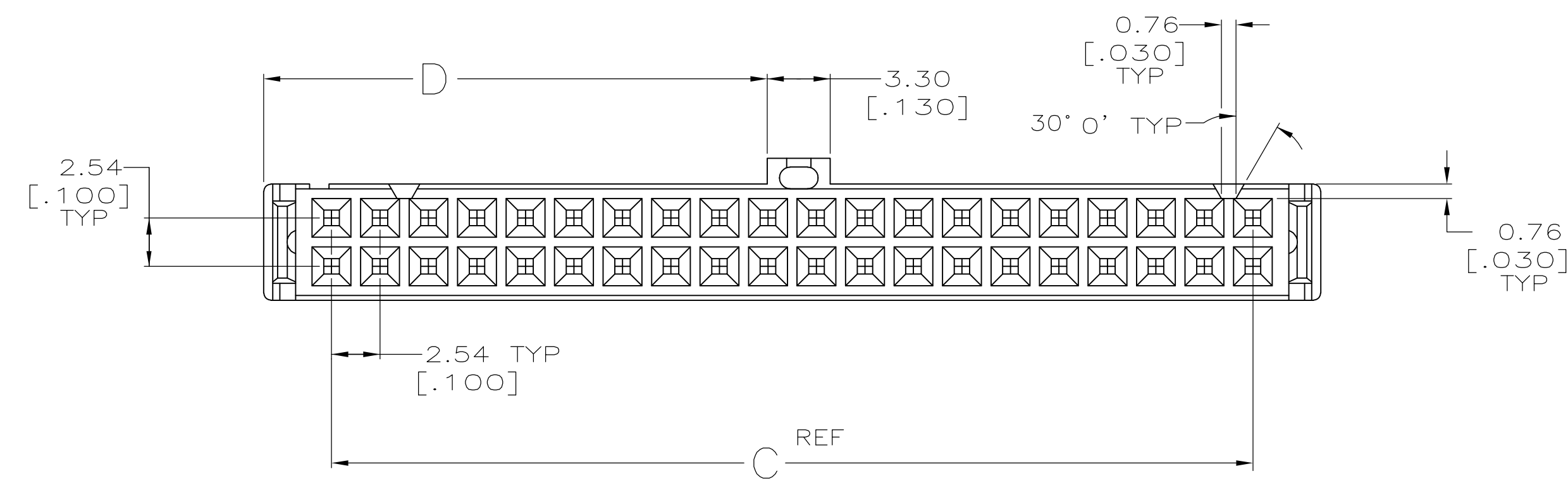
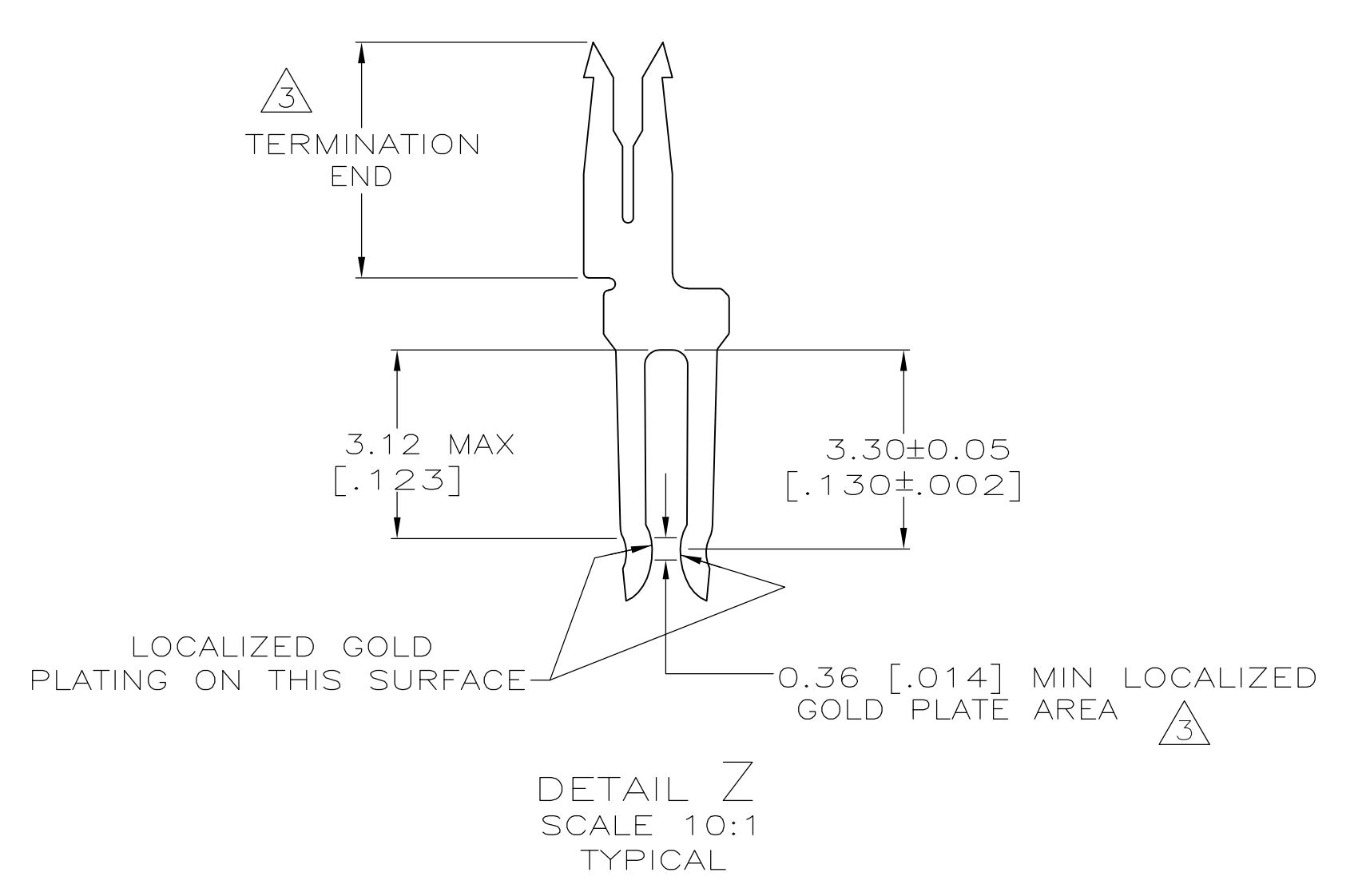
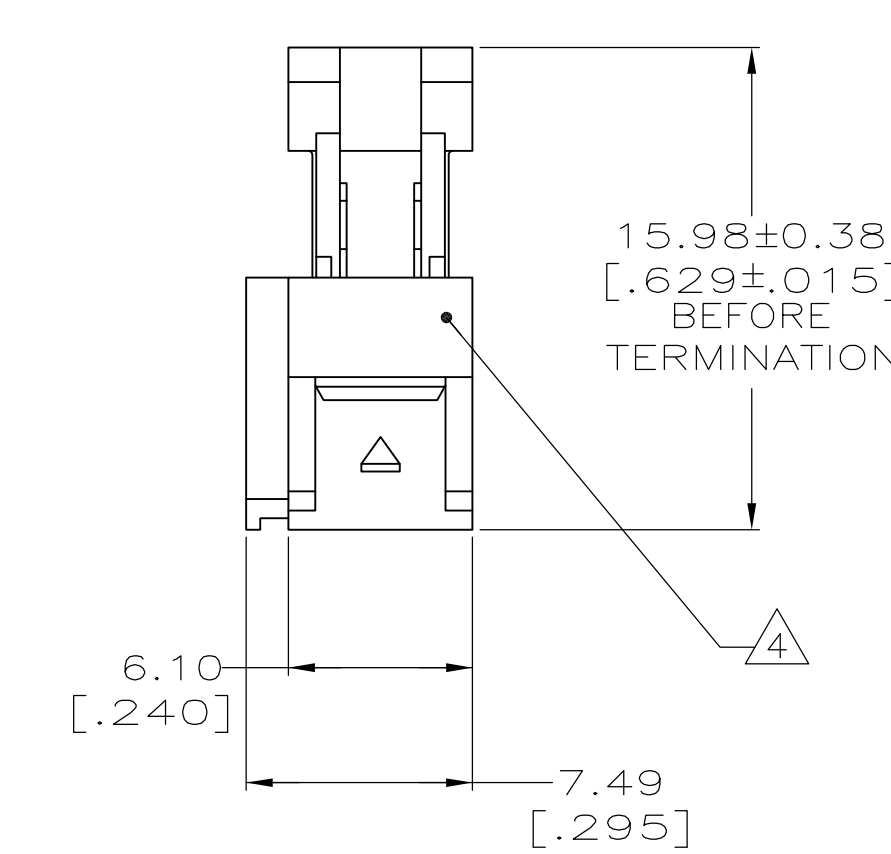
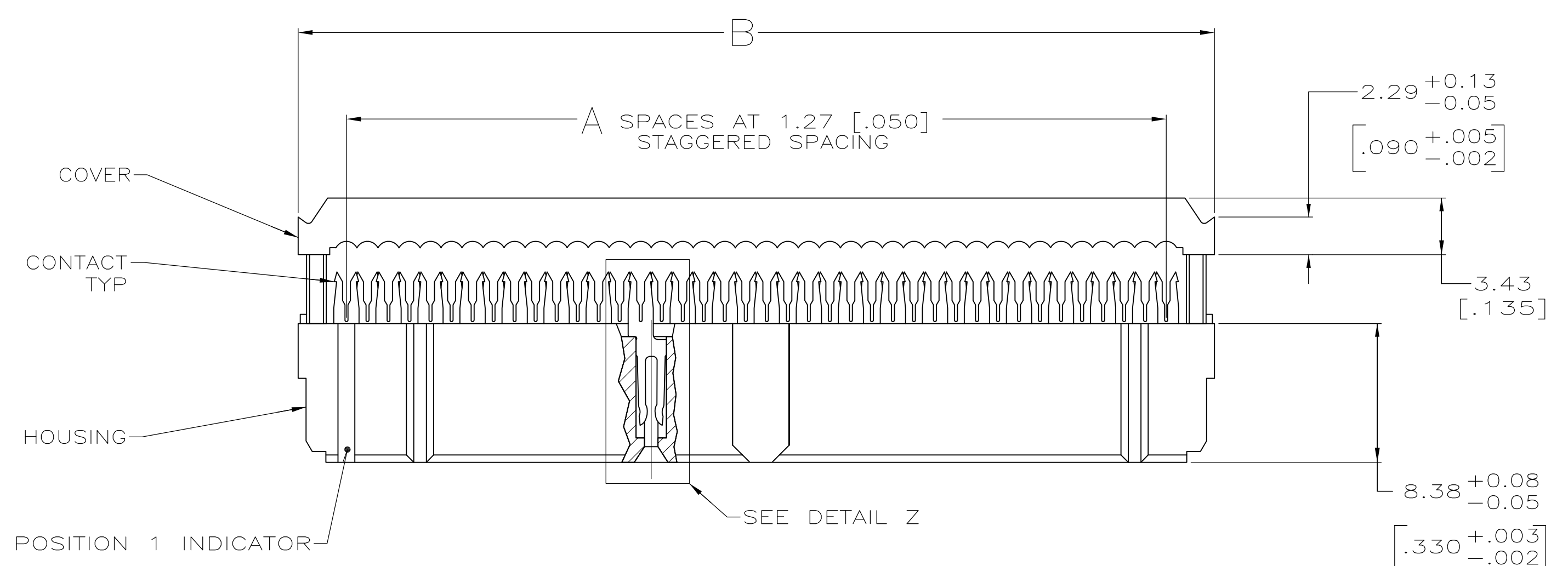
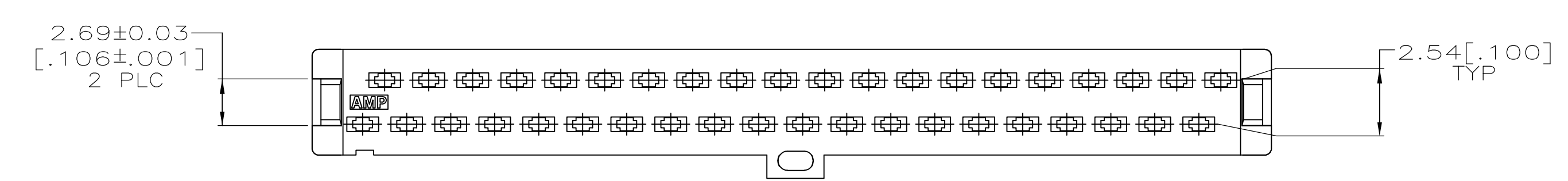


TERMINATED VIEW



- △ MOLDED PARTS: POLYESTER, BLACK, UL RATED 94V-0.
- △ CONTACTS: PHOSPHOR BRONZE PER QQ-B-750.
- △ CONTACTS: PLATED WITH 0.38μm [.000015] MIN GOLD IN LOCALIZED GOLD PLATE AREA, 1.27μm [.000050] MIN TIN ON TERMINATION END, ALL OVER 1.27μm [.000050] MIN NICKEL ON ENTIRE CONTACT.
OR
GOLD FLASH OVER PALLADIUM-NICKEL PLATE 0.38μm [.000015] MIN TOTAL IN LOCALIZED GOLD PLATE AREA, 1.27μm [.000050] MIN TIN ON TERMINATION END, ALL OVER 1.27μm [.000050] MIN NICKEL ON ENTIRE CONTACT.
- △ A VISIBLE LINE IS ACCEPTABLE ON THE ENDWALLS OF THE HOUSING.

26.04 [1.025]	48.26 [1.900]	55.37 [2.180]	39	40	5111894-9
D	C	B	A	NO OF POSN	PART NO

THIS DRAWING IS A CONTROLLED DOCUMENT.

DWN EJ	10JUNE04	Tyco Electronics Corporation Harrisburg, PA 17105-3608
CHK C. ROHDE	10JUNE04	
APRD M. WALMSLEY	10JUNE04	NAME
TOLERANCES UNLESS OTHERWISE SPECIFIED:		RECEPTACLE ASSEMBLY, CENTER & MILITARY POLARIZATION, NOVO, AMP-LATCH
0 PLC ± -	PRODUCT SPEC	108-40000
1 PLC ± -	APPLICATION SPEC	114-40005
2 PLC ± 0.13 [.005]	SIZE	A1
3 PLC ± -	CAGE CODE	00779
4 PLC ± -	DRAWING NO	5111894
ANGLES ± 1°	WEIGHT	-
FINISH	CUSTOMER DRAWING	SCALE 4:1
SEE NOTES	SEE NOTES	SHEET 1 OF 1
		REV B