

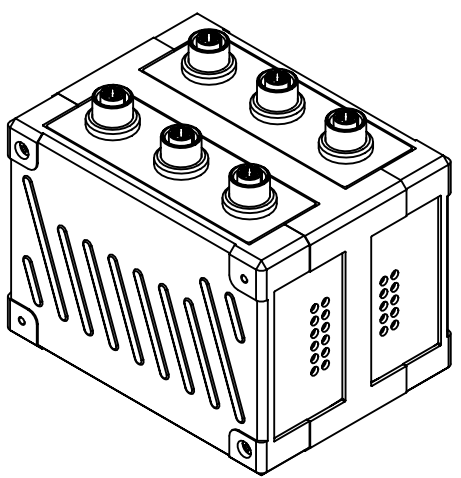
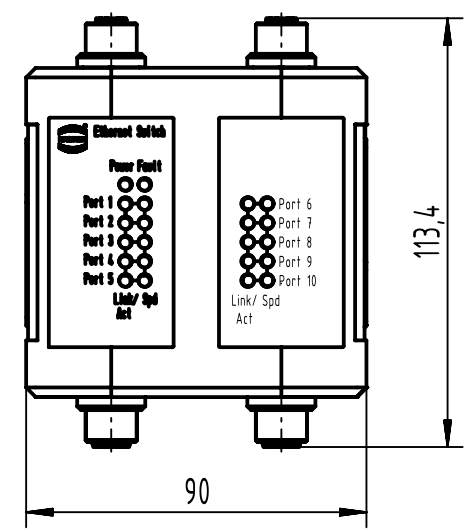
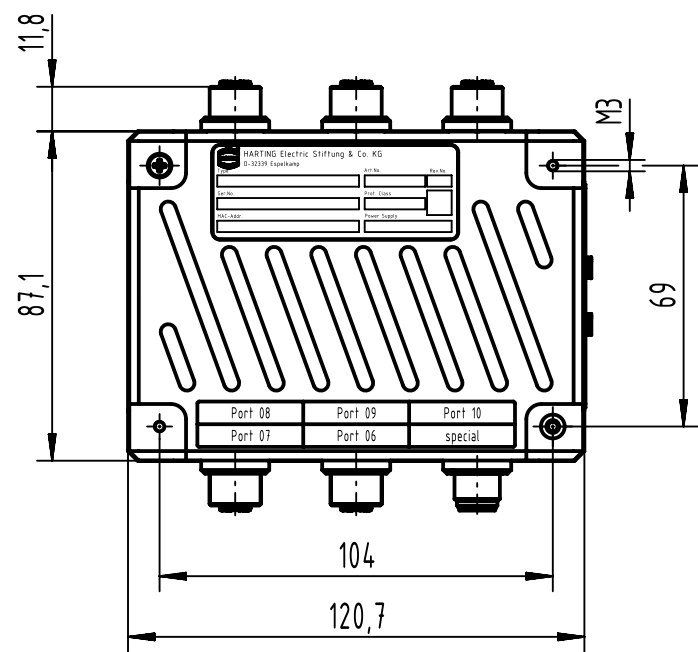
1 2 3 4 5 6

A

B

C

D



	All rights reserved Department EL PD	All Dimensions in mm Original Size DIN A4		Scale 1:2	Free size tol.	Ref. Sub. TB 20 70 310 3942 v. 21.04.09	
		Created by HOLLERT	Inspected by KLEINEM	Standardisation SAP_WFRT	Date 2022-03-01	State Final Release	
HARTING D-32339 Espelkamp		Title Ha-VIS eCon 7100-B1			Doc-Key / ECM-Nr. 100175823/UGD/004/B 500000211660		
		Type TB	Number 20 70 310 3942		Rev. B	Page 1/1	