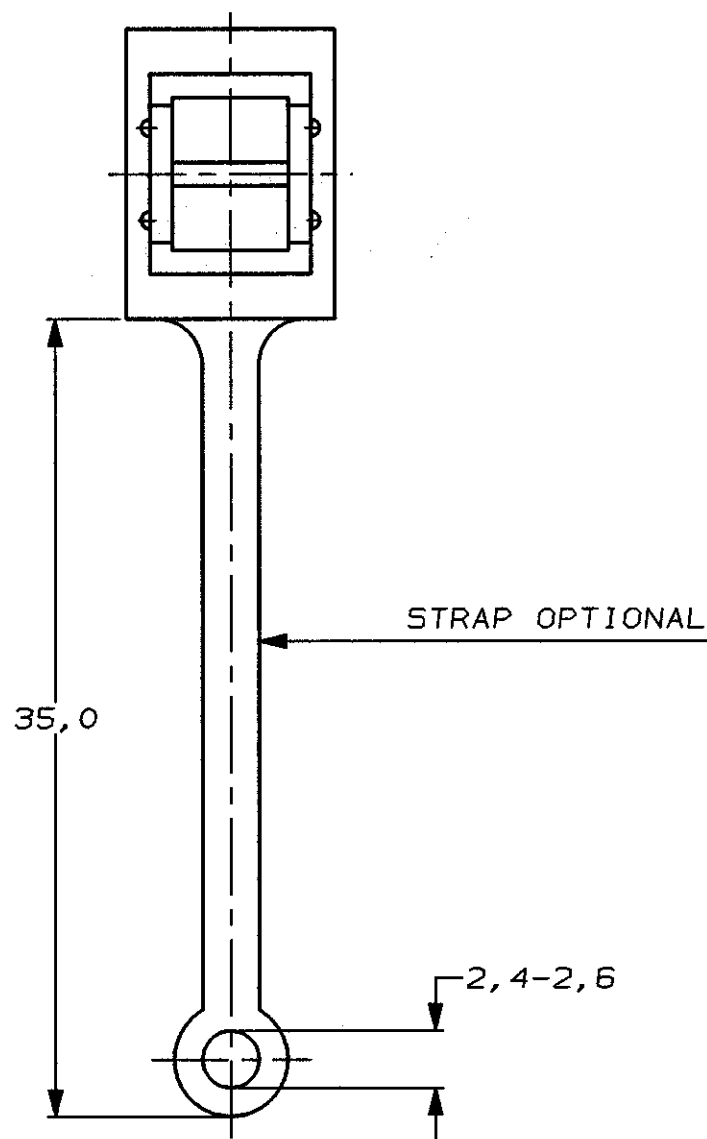
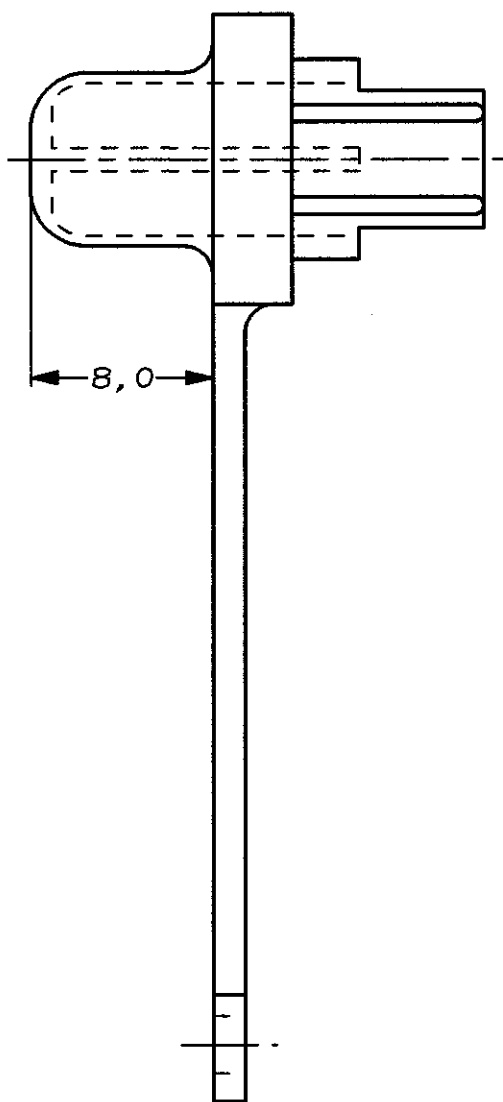
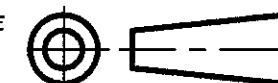


DO NOT SCALE

DIMENSIONS IN mm

METRIC

THIRD ANGLE
PROJECTION



NOTES:

▲ MATERIAL: THERMOPLASTIC ELASTOMER

NO STRAP	BLUE , RAL 5015	▲	0-106880-4
STRAP TYPE	BLUE , RAL 5015	▲	0-106880-3
NO STRAP	GREEN, RAL 6018	▲	0-106880-2
STRAP TYPE	GREEN, RAL 6018	▲	0-106880-1
	COLOR	MATERIAL	PARTNUMBER

F	EH-0731-96	AM	JWR	18 JUN 96	CUSTOMER DRAWING FOR REFERENCE ONLY WILL NOT BE UPDATED © COPYRIGHT 19- BY AMP HOLLAND B.V. ALL INTERNATIONAL RIGHTS RESERVED. AMP PRODUCTS MAY BE COVERED BY U.S. AND FOREIGN AND/OR PATENTS PENDING. THIS DRAWING IS UNPUBLISHED RELEASED FOR PUBLICATION _____, 19____
E	EH-0674-94	HdB	HdB	11 OKT 94	
D	-	WV	JP	07 JUN 94	
C	-	WV	JP	25 MEI 94	
B	-	WV	JP	03 MEI 94	
A	-	WV	JP	28 JAN 94	
O	-	TH	JP	05 JAN 94	AMP AMP HOLLAND B.V. 's-Hertogenbosch, The Netherlands.
LTR.	REVISION RECORD	DR.	CHK.	DATE	NAME DUST COVER, RECEPTACLE AMP SC

DR.: A. WOODDORP	CHK.: J. V. RIETVELD	APP.: D. SMAKMAN	DWG. No.	REV. LTR.	SHEET
DATE: 18 JUN 96	DATE: 27 JUN 96	DATE: 27 JUN 96	C-106880	F	1 OF 1