

4

3

2

1

THIS DRAWING IS UNPUBLISHED.

RELEASED FOR PUBLICATION

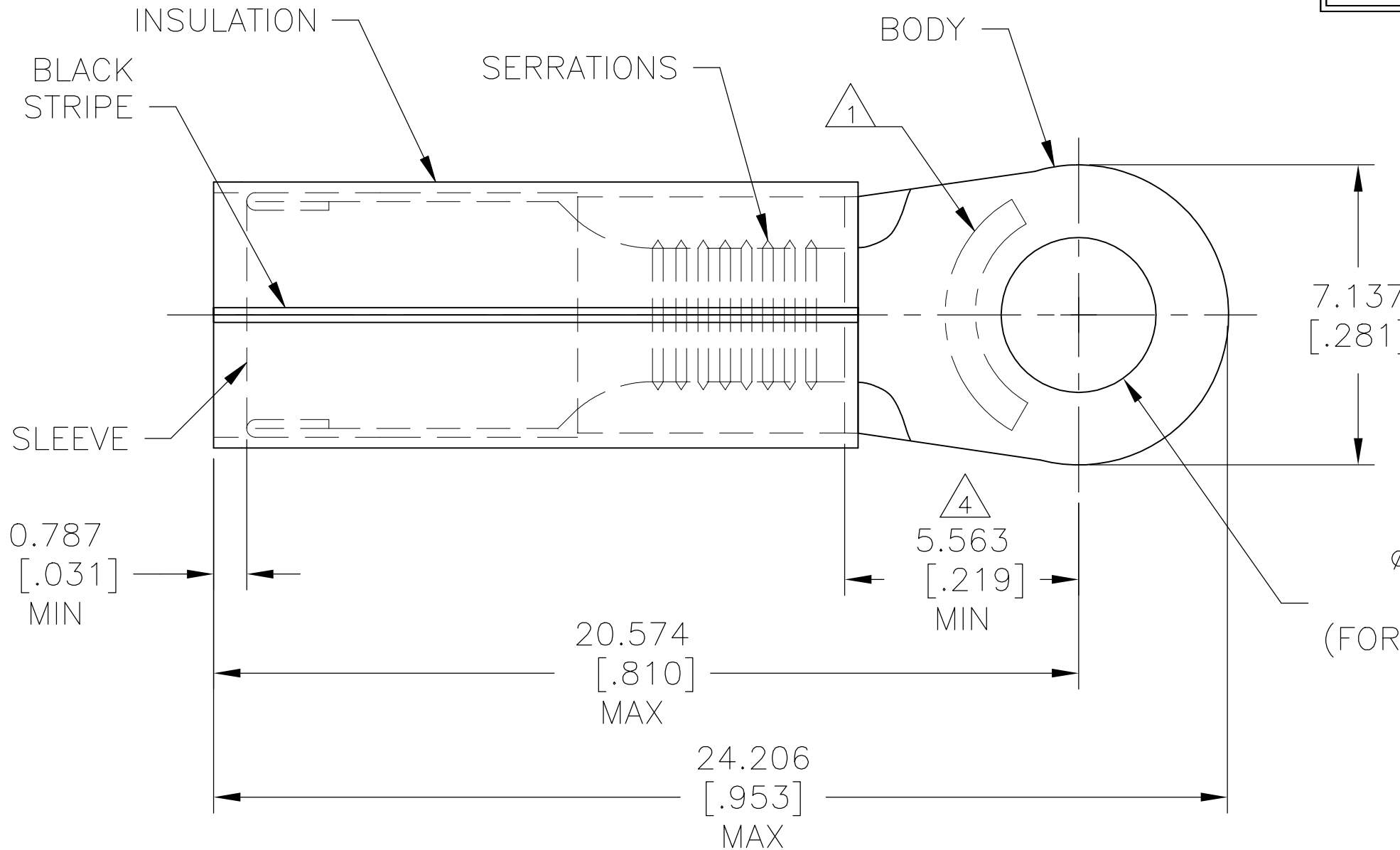
ALL RIGHTS RESERVED.

© COPYRIGHT - By -

REVISIONS

P	LTR	DESCRIPTION	DATE	DWN	APVD
	K	REVISED PER ECO-14-015277	27FEB2015	NK	DR
	K1	REVISED PER ECO-17-008114	31MAY2018	RS	DR

<b>AMP</b> WIRE RANGE	E13288 Listed	LR7189 Certified
16-14 AWG SOLID OR STRANDED	16-14 AWG SOLID OR STRANDED	16-14 AWG SOLID OR STRANDED



- 1 STAMP AMP 16-14 HD\* LOCATED APPROX AS SHOWN
- 2 FOR 3.810-6.350 [.150-.250] WIRE INSULATION DIA
- 3 BODY MATERIAL THK: 1.219±0.051 [.048±.002]
- 4 APPLIES FROM EDGE OF METAL WIRE BARREL TO CENTER OF STUD HOLE

500	LOOSE PIECE	35634
QTY	DESCRIPTION	PART NO.

AMP INCORPORATED  
CUSTOMER SERVICE SYSTEMS

THIS DRAWING IS A CONTROLLED DOCUMENT.

DWN	20AUG99
CHK	JR RUTH
APVD	20AUG99
PRODUCT SPEC	T MICHIELUTTI
APPLICATION SPEC	T MICHIELUTTI



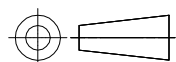
FOR ADDITIONAL  
PRODUCT INFORMATION OR  
COPIES OF DRAWINGS  
AND TECHNICAL DOCUMENTS

PRODUCT INFORMATION CENTER  
1-800-522-6752

MAX RECOMMENDED OPERATING  
TEMPERATURE:  
105°C [221°F]

VOLTAGE RATING:  
300 V MAX

DIMENSIONS:  
mm [INCHES]



TOLERANCES UNLESS OTHERWISE SPECIFIED:	
0 PLC	± -
1 PLC	± -
2 PLC	± -
3 PLC	± 0.127 [.005]
4 PLC	± -
ANGLES	± 5°

FOR APPLICATION  
TOOLING INFORMATION

TOOLING ASSISTANCE CENTER  
1-800-722-1111

WIRE CROSS SECTIONAL AREA RANGE,  
1.04-2.62mm² [2,050-5,180] CIR MILS  
SOLID OR STRANDED

MATERIAL  
BODY - COPPER (ASTM B152)  
SLEEVE - COPPER (ASTM B152)  
INSULATION - NYLON, YELLOW

FINISH  
BODY - TIN PLATE  
(ASTM B545)

UL 486 A-B  
114-2157

WEIGHT  
CUSTOMER DRAWING

NAME  
TERMINAL, RING TONGUE, PIDG,  
WIRE SIZE: 16-14 HD

SIZE	CAGE CODE	DRAWING NO	RESTRICTED TO
A3	00779	C-35634	-

FOR ORDER ENTRY  
1-800-526-5142

SCALE 8:1 SHEET 1 OF 1 REV K1