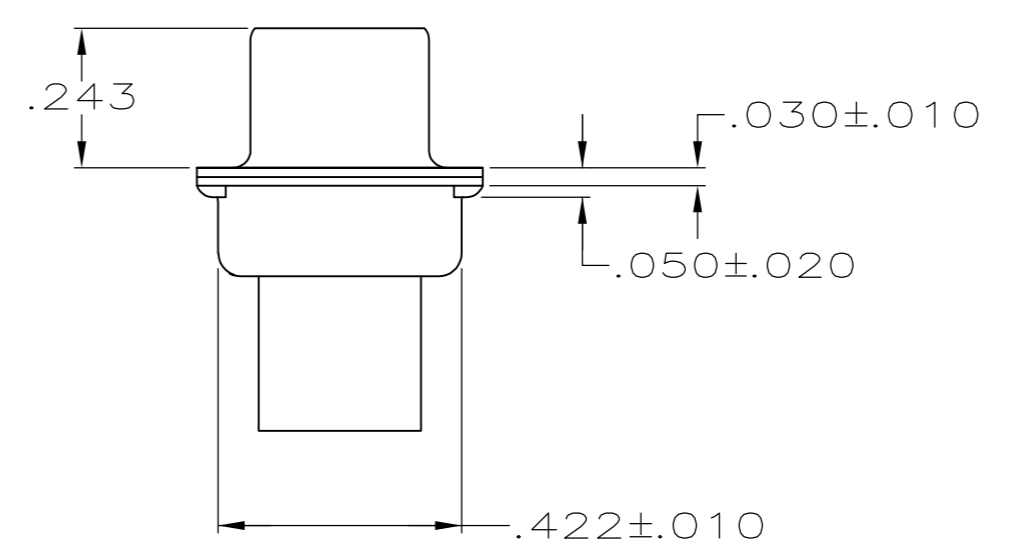
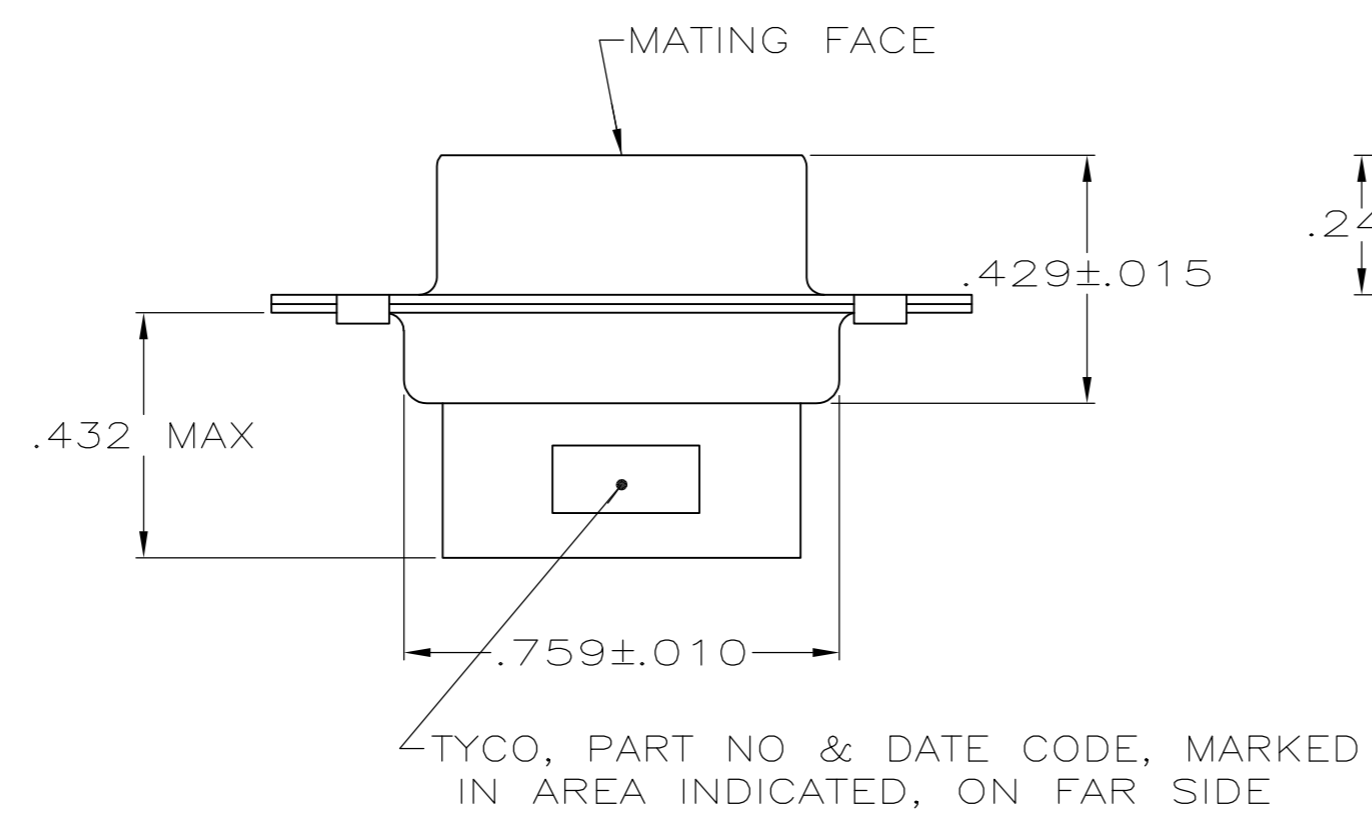
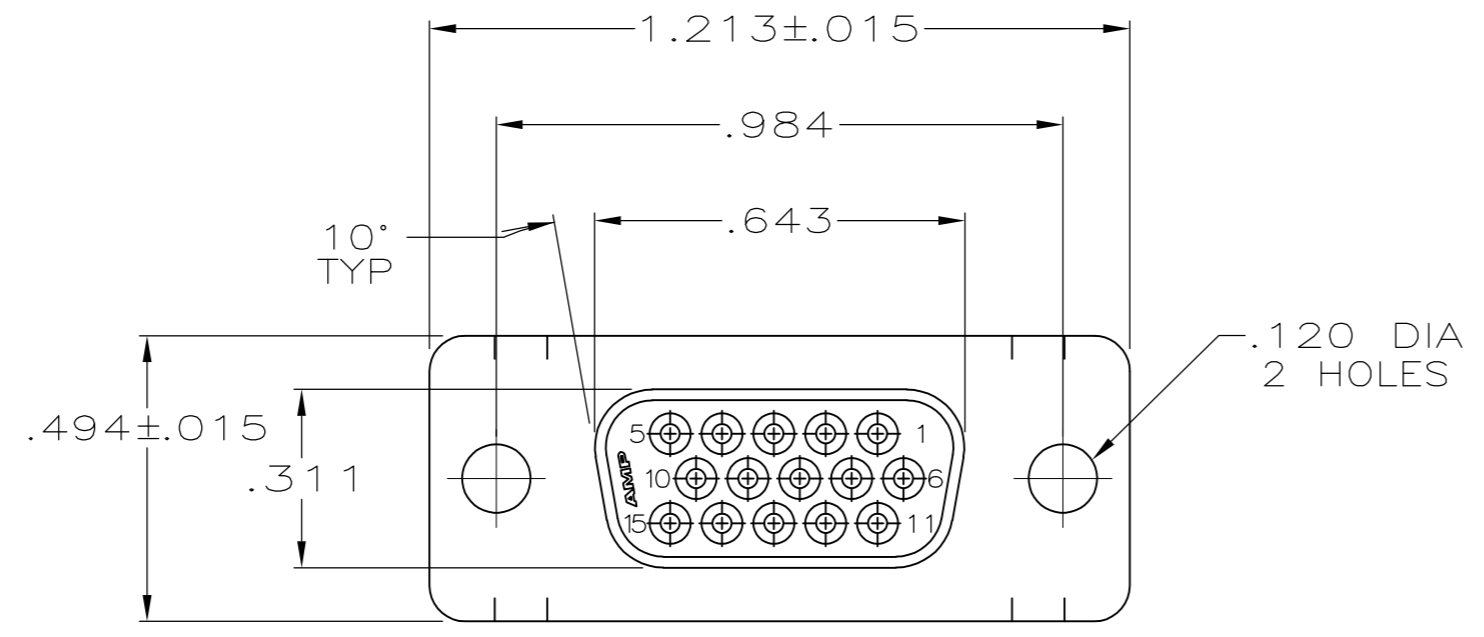


THIS DRAWING IS UNPUBLISHED. RELEASED FOR PUBLICATION
 © COPYRIGHT - By - ALL RIGHTS RESERVED.

LOC		DIST		REVISIONS			
P	LTR	DESCRIPTION		DATE	DWN	APVD	
GP	00	C1	REVISED PER ECO-11-004835		11MAR11	RK	HMR



- 1. CONNECTOR ACCEPTS 22 DF SOCKET CONTACTS, RETENTION TINES ARE AN INTEGRAL PART OF INSERT.
- 2 MATERIAL: MOLDED PARTS - FLAME RETARDANT 94V-0 RATED, GLASS FILLED NYLON, COLOR: BLACK. SHELLS - CARBON STEEL.
- 3 FINISH: SHELLS - .000200 MIN TIN OVER .000100 MIN COPPER UNDERPLATE.

1658681-1
 PART NUMBER

THIS DRAWING IS A CONTROLLED DOCUMENT.		DWN L. BAUM 02JAN04	 TE Connectivity RECEPTACLE ASSEMBLY, SIZE 1, 15 POSN, HDP-22, AMPLIMITE®			
DIMENSIONS: INCHES		CHK S. BOLASH 02JAN04				
TOLERANCES UNLESS OTHERWISE SPECIFIED:		APVD M. WALMSLEY 02JAN04				
0 PLC ± - 1 PLC ± - 2 PLC ± - 3 PLC ± .005 4 PLC ± - ANGLES ± 2°		NAME				
MATERIAL		PRODUCT SPEC 108-1268	SIZE	CAGE CODE	DRAWING NO	RESTRICTED TO
FINISH		APPLICATION SPEC 114-10001	A2	00779	C=1658681	-
		WEIGHT -	SCALE 3:1	SHEET 1 of 1	REV C1	
		CUSTOMER DRAWING				