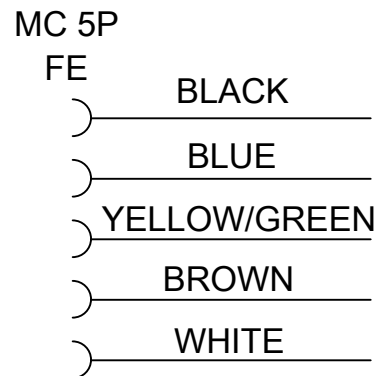
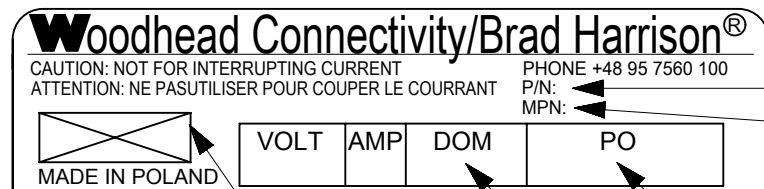


WIRING DIAGRAM



LABEL PRINTING



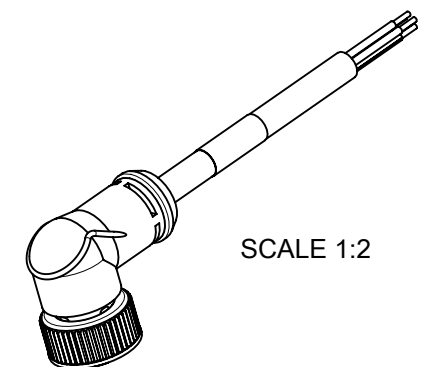
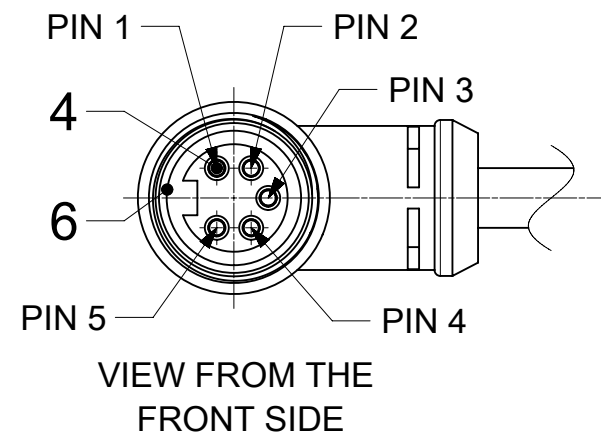
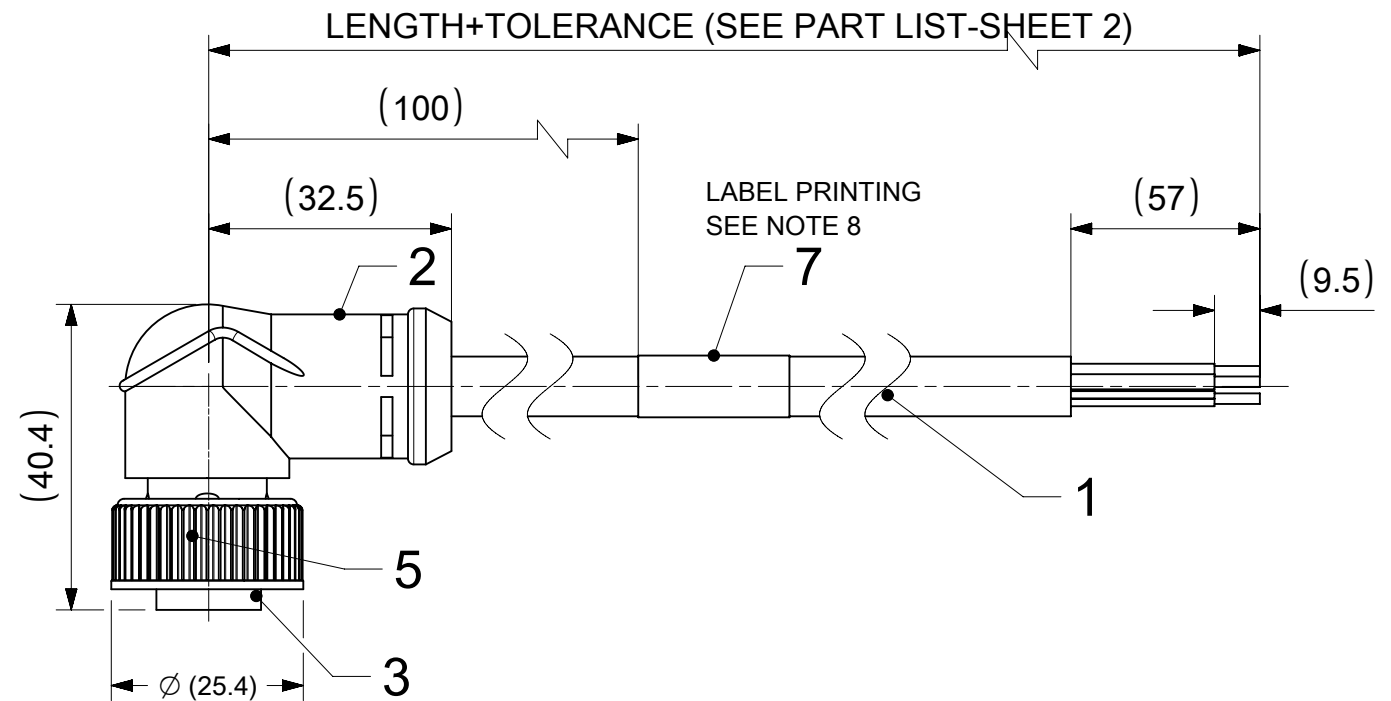
ENGINEERING NO.
MOLEX PN

PO NO.
PRODUCT. DATE

CERTIFICATION SYMBOLS

NOTES:

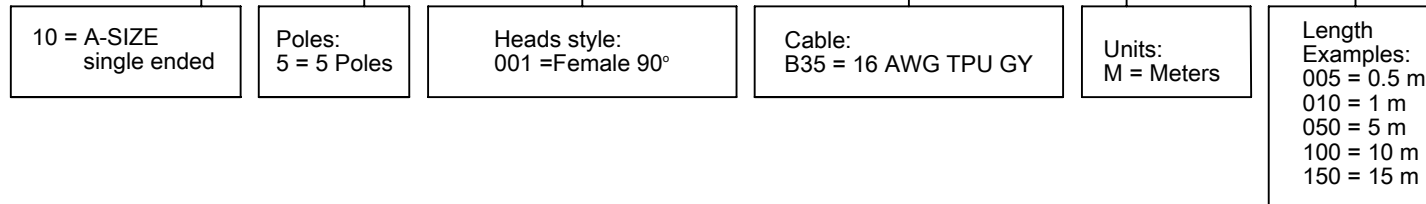
1. MATERIAL: AS NOTED
2. FINISH: AS NOTED
3. ELECTRICAL:
VOLTAGE: 600 V
CURRENT: 10 A
4. TEMPERATURE RATING:
STATIC: -40 °C TO 90 °C
DYNAMIC: -25 °C TO 80 °C
5. PROTECTION: IP67 (WHEN MATED)
6. UL CERTIFICATION: UL LISTED, FILE NO. E152210
7. BOM, PART LIST AND MATRIX - SEE SHEET 2
8. LABEL PRINTING ACC. STANDARD LABEL INSTRUCTION



FUNCTIONAL SYMBOLS	THIS DRAWING CONTAINS INFORMATION THAT IS PROPRIETARY TO MOLEX ELECTRONIC TECHNOLOGIES, LLC AND SHOULD NOT BE USED WITHOUT WRITTEN PERMISSION		<p>molex</p> <p>CSE MC 5P A-SIZE FE RA XM PUR SE</p> <p>PRODUCT CUSTOMER DRAWING</p>				
	<p>∇/A = 0</p> <p>∇/E = 0</p> <p>∇/V = 0</p>	<p>mm</p> <p>SCALE 1:1</p> <p>GENERAL TOLERANCES (UNLESS SPECIFIED)</p> <p>ANGULAR TOL ± 1.0°</p>					<p>CURRENT REV DESC: NOTES UPDATED, LABEL PRINTING ADDED</p> <p>EC NO: 747270</p> <p>DRWN: RSCHIEBER 2023/04/20</p> <p>CHK'D: RSILLER 2023/04/27</p> <p>APPR: RSILLER 2023/04/27</p>
DIVISIONAL SYMBOLS	4 PLACES ±		INITIAL REVISION:	DOCUMENT NUMBER	DOC TYPE	DOC PART	REVISION
	3 PLACES ±		DRWN: RSTONE 2013/12/09	SD-130006-051	PSD	001	A4
	2 PLACES ±	0.05	APPR: JFMURPHY 2013/12/16				
	1 PLACE ±	0.3					
	0 PLACES ±	0.5					
DRAFT WHERE APPLICABLE MUST REMAIN WITHIN DIMENSIONS		THIRD ANGLE PROJECTION	DRAWING	SERIES	MATERIAL NUMBER	CUSTOMER	SHEET NUMBER
			A3-SIZE	130006	SEE SHEET 2	GENERAL MARKET	1 OF 2

PART No. MATRIX

1 0 5 0 0 1 B 3 5 M X X X



PART LIST

MOLEX PN	ENGINEERING NO.	L + Tol. [mm]
1300068174	105001B35M020	2000 + 89
1300068175	105001B35M050	5000 + 165
1300068176	105001B35M100	10000 + 317
1300068177	105001B35M200	20000 + 610
1300068178	105001B35M300	30000 + 610
1300068274	105001B35M010	1000 +56

BILL OF MATERIAL

ITEM	QTY	DESCRIPTION	MATERIAL	FINISH/COLOR
7	1	LABEL	VINYL	YELLOW
6	1	FRICTION RING	NYLON	-
5	1	COUPLINGNUT	ZINC DIE-CAST	BLACK E-COAT
4	5	FEMALE CONTACT	Cu ALLOY	GOLD OVER NICKEL
3	1	INSERT	PUR	BLACK
2	-	OVERMOLD	TPE	BLACK
1	-	CABLE 16AWG OD=8.5mm	TPU	GRAY
DOCUMENT STATUS	P1	RELEASE DATE	2023/04/27 12:11:50	

FUNCTIONAL SYMBOLS	THIS DRAWING CONTAINS INFORMATION THAT IS PROPRIETARY TO MOLEX ELECTRONIC TECHNOLOGIES, LLC AND SHOULD NOT BE USED WITHOUT WRITTEN PERMISSION							
	$\nabla/A = 0$ $\nabla/E = 0$ $\nabla/P = 0$	DIMENSION UNITS mm	SCALE 1:1					
DIVISIONAL SYMBOLS	CURRENT REV DESC: NOTES UPDATED, LABEL PRINTING ADDED							
	GENERAL TOLERANCES (UNLESS SPECIFIED)			EC NO: 747270 DRWN: RSCHIEBER 2023/04/20 CHK'D: RSILLER 2023/04/27 APPR: RSILLER 2023/04/27				
	ANGULAR TOL $\pm 1.0^\circ$		PRODUCT CUSTOMER DRAWING					
	4 PLACES \pm			INITIAL REVISION: DRWN: RSTONE 2013/12/09 APPR: JFMURPHY 2013/12/16				
	3 PLACES \pm							
2 PLACES ± 0.05								
1 PLACE ± 0.3		DOCUMENT NUMBER SD-130006-051	DOC TYPE PSD	DOC PART 001	REVISION A4			
0 PLACES ± 0.5		DRAFT WHERE APPLICABLE MUST REMAIN WITHIN DIMENSIONS	THIRD ANGLE PROJECTION 	DRAWING A3-SIZE	SERIES 130006	MATERIAL NUMBER SEE SHEET 2	CUSTOMER GENERAL MARKET	SHEET NUMBER 2 OF 2