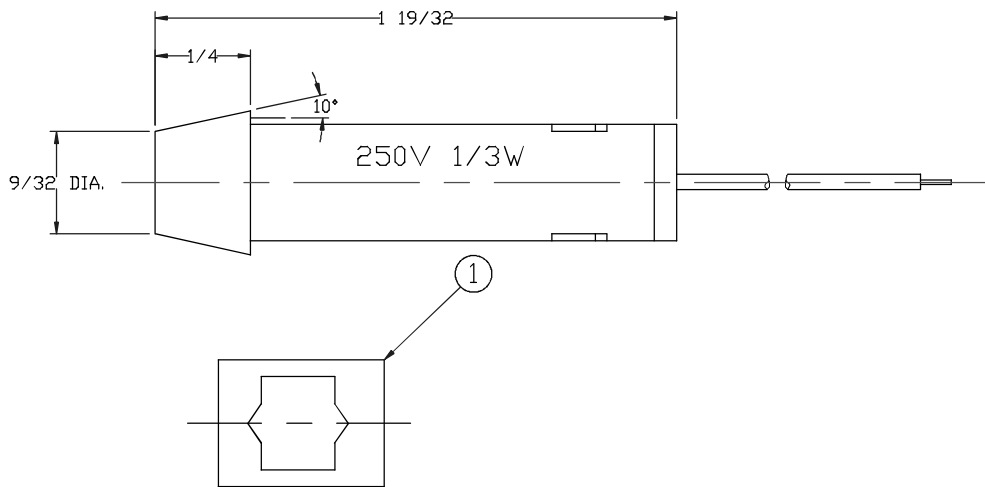
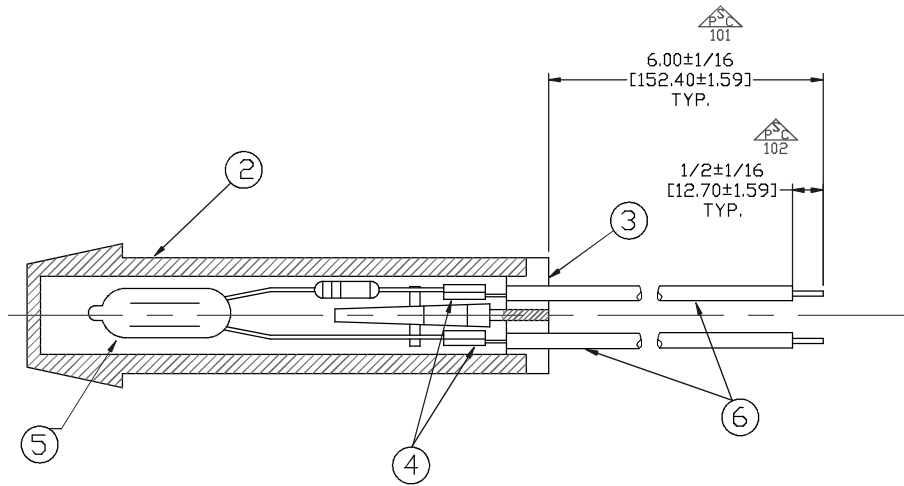


REV	ECN	DATE	DESCRIPTION	BY
A	7375	02/10/99	ADDED SPEED NUT	IP
B	9152	12/20/00	8600340508 WAS 7601950008, & 9901511000 WAS 9900401000	WV
C	439	4/22/13	8600753908 WAS 8600340508, & SPLICE DESCRIPTION FIXED	MB



NOTES:

- 1- INDICATOR LIGHT TO MEET PANEL GAGES IF REQUIRED.
- 2- WIRES TO WITHSTAND A MIN. 25 LBS. STRAIGHT PULL OUT FORCE.
- 3- LENS COLOR IS RED.
- 4- ELECTRICAL RATING TO BE LEGIBLE.
- 5- INDICATOR LIGHT TO MEET ELECTRICAL PARAMETER 220-250V 1/3W
- 6- SEND SPEEDNUT WITH FINAL ASSEMBLY.

⑥	8600753908	6 1/2X5/32X1/2 18-110	2	P740819
	5	7401910000	LAMP ASSY LK215	1 P740191
④	49901511000	TYCO/AMP# 1601597-1	SPLICE	2 P740910
	3	9800200205	BASE 3900-5	1 P103552
	2	8900910201	LENS RED 3400-4	1 P106265
①	18700431688	SPEEDNUT 3400-6	1	P106709
	#	PART #	ITEM DESCRIPTION	QUAN. DRAWING #
		VCC CONTROL PLAN	# CP0000	

TOLERANCES UNLESS OTHERWISE SPECIFIED		VISUAL COMMUNICATIONS COMPANY, LLC			
INCHES		12780 DANIELSON COURT, SUITE A			
.XX ± .010		POWAY, CA 92064			
.XXX ± .005					
FRACTIONAL	PART #	SCALE:	DRAWN BY:	LR	DATE: 06/14/96
X/X ± 1/64	34H-0581	- : -	CHECKED BY:	FC	DATE: 12/20/00
			APPROVED BY:	BC	DATE:
ANGULAR	DESCRIPTION:				
∠'S ± 1/2°	INDICATOR LIGHT				
UNLESS OTHERWISE SPECIFIED ALL DIMENSIONS ARE IN INCHES. METRIC DIMENSIONS WILL BE WITHIN .XXX	DRAWING NO.		REV.		
	34H-0581		C		

APPROVED FOR PRODUCTION ON 12/29/00

THIS DOCUMENT IS THE PROPERTY OF VISUAL COMMUNICATIONS COMPANY, LLC. ITS USE OR REPRODUCTION IS AUTHORIZED ONLY FOR RESPONDING TO A REQUEST FOR QUOTATION OR FOR THE PERFORMANCE OF WORK FOR VISUAL COMMUNICATIONS COMPANY, LLC. ALL QUESTIONS MUST BE REFERRED TO VISUAL COMMUNICATIONS COMPANY, LLC. THIS DRAWING IS CONSIDERED AN UNCONTROLLED DOCUMENT ONCE PRINTED (HARDCOPY). MASTER DRAWINGS ARE CONTROLLED BY ENGINEERING ON THE SERVER.