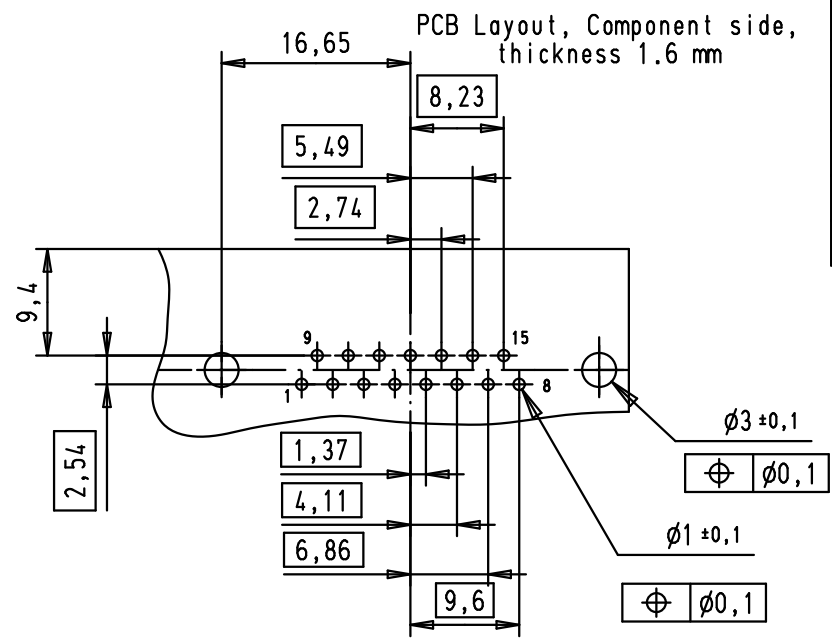
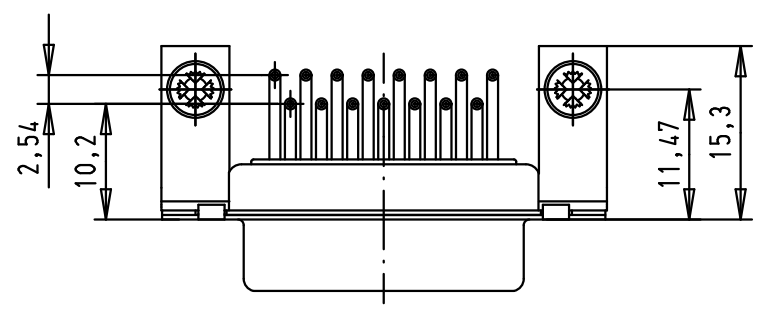
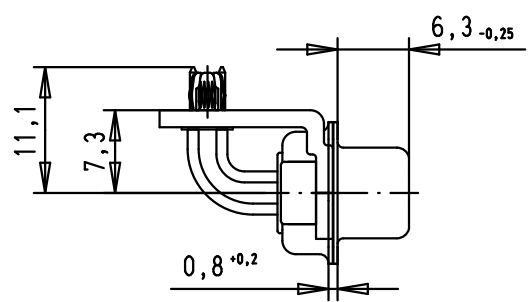
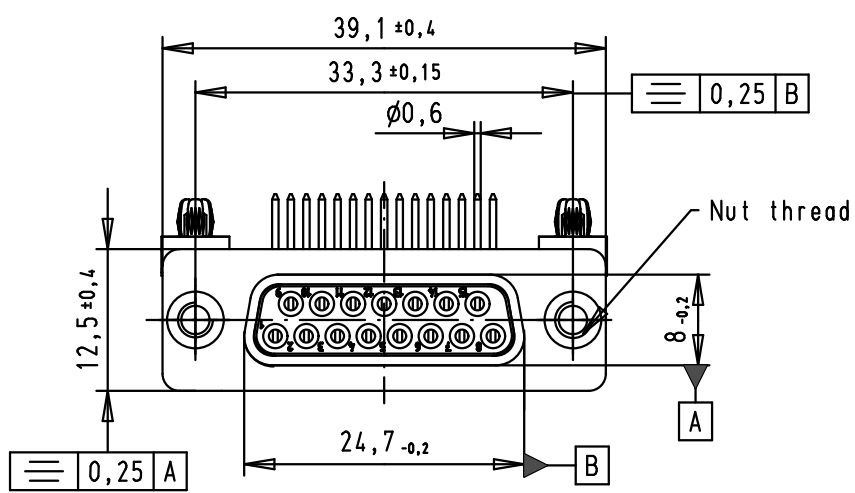


5 4 3 2 1

SPECIFICATION

Performance level	PL2
Filter type	C
Capacitance	3900pf±20%
Working Voltage	100v
Current Rating	7.5A
Insulation Resistance	>1GΩ

FREQUENCY (MHz)	ATTENUATION (dB)
5	6dB
10	11dB
50	25dB
100	35dB
500	35dB
1000	32dB



09642147243	M3		36283	12/01/12	SD			
09642147242	UNC 4-40		33262	15/11/05	JMDR			
Part number	Nut thread		31058	8-JUL-02	CV			
			Mod.	Dat.	Name			

	Dat.	Name
Detail.	8-JUL-02	CV
Insp.	12/01/12	JB
Stand.		
HARTING EURL F-95972 Paris		



D-Sub, female, angled, 15 Poles, turned solder pins, board-locks and clinch-nuts

TB 0964214724x

Sub.

Ma?Mstab/
Scale
1.5:1

Blatt/ Page
1 / 4