

4 CIRCUIT SHOWN

- NOTES:
1. MATERIAL: SEE TABLE
 2. FINISHES: SEE TABLE
 3. PRODUCT SPECIFICATION: NOT REQUIRED
 4. PACKAGING: NOT REQUIRED
 5. MATES WITH: NONE
 6. "XX" REFERS TO THE QUANTITY OF CIRCUITS.

ITEM	QTY.	DESCRIPTION	MATERIAL	FINISH
6	XX	SCREW, #6-32X.250, PHIL-SLOT, SO, WASHER (-50 OPT)	STEEL	ZN, CLEAR CHROMATE
5	XX	SCREW, #6-32X.250, PHIL-SLOT, BHD, (-49 OPT)	BRASS	NICKEL PLATE
4	XX	SCREW, #6-32X.250, PHIL-SLOT, BHD	STEEL	ZN, CLEAR CHROMATE
3	2	PLATE, MTG.	BRASS	NICKEL PLATE
2	XX	TERMINAL, PC	BRASS	TIN PLATE
1	1	INSULATOR, SR, RAISED PADS	THERMOPLASTIC	BLACK

EC NO. RELEASED
 DRAWN: CLY
 CHK: APPR:
 A

QUALITY SYMBOLS
 MAJOR
 CRITICAL
 SPC

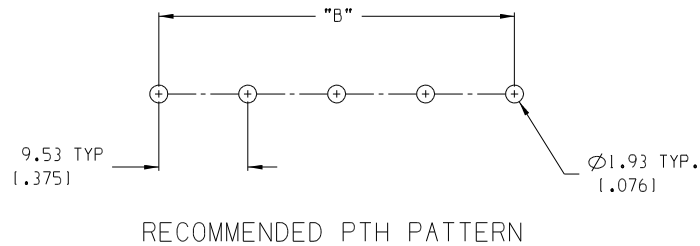
GENERAL TOLERANCES: (UNLESS SPECIFIED)	
4 PLACES	±.0015
3 PLACES	±.038 ±.005
2 PLACES	±.13 ±.01
1 PLACE	±.3
ANGULAR: ±2°	

SCALE 2:1
 DESIGN UNITS
 mm INCH
 DRAWN BY & DATE
 C. YORK 03-01-05
 CHECKED BY & DATE
 APPROVED BY & DATE

PROJECT NO. -	-	-
DIMENSIONS:	<input checked="" type="checkbox"/> mm <input type="checkbox"/> INCH	SHT REV
	<input type="checkbox"/> mm <input type="checkbox"/> ONLY	REVISE ON CAD ONLY
TITLE: 9.53 1.3751 SR BTS, PC ASSY, RAISED PADS		
MOLEX INCORPORATED		
CAD FILENAME 725XX-P	MATERIAL NO. SEE CHART	DRAWING NO. SD-38720-006
SHEET NO. 1 OF 2		SIZE B

DRAFT WHERE APPLICABLE MUST REMAIN WITHIN DIMENSIONS
 THIS DRAWING CONTAINS INFORMATION THAT IS PROPRIETARY TO MOLEX INCORPORATED AND SHOULD NOT BE USED WITHOUT WRITTEN PERMISSION.

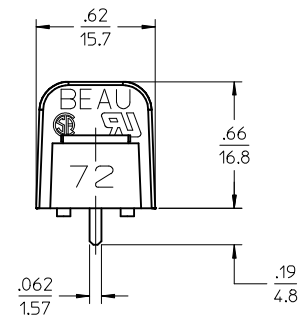
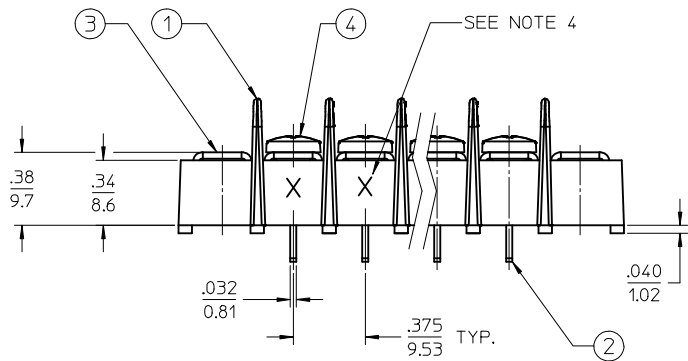
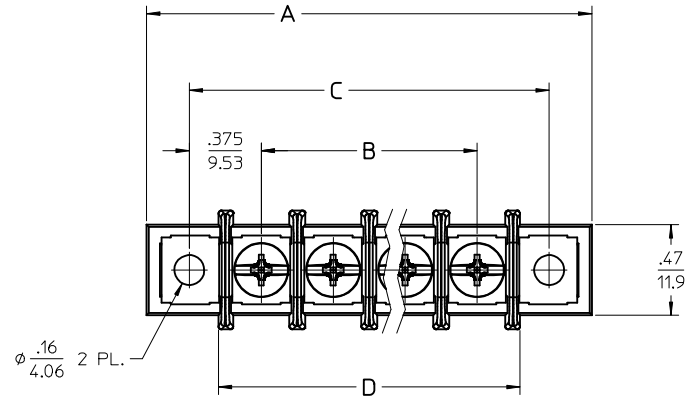
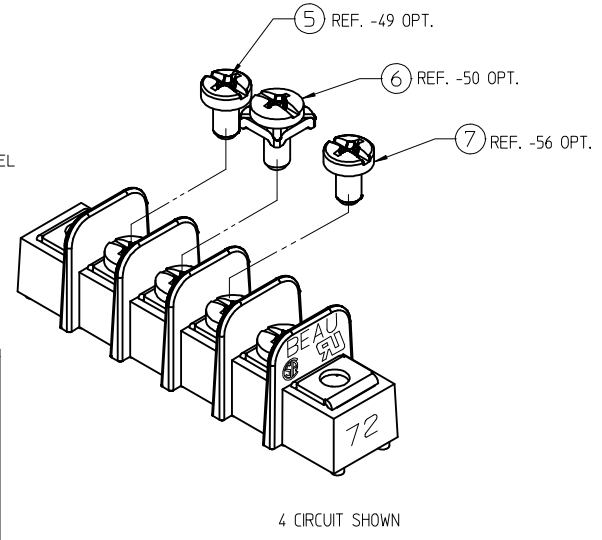
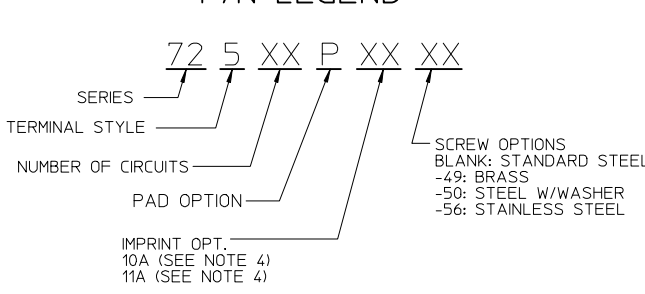
NUMBER OF CIRCUITS "XX"	DIM. "A"		DIM. "B"		DIM. "C"		DIM. "D"		ASSEMBLY MATERIAL NO. (-P OPT.)	ASSEMBLY MATERIAL NO. (-P-49 OPT.)	ASSEMBLY MATERIAL NO. (-P-50 OPT.)
02	40.1	11.581	9.53	1.3751	28.58	11.1251	21.1	1.831	387206502	387207102	387207702
03	49.7	11.961	19.05	1.7501	38.10	11.5001	30.6	1.211	387206503	387207103	387207703
04	59.2	12.331	28.58	1.1251	47.63	11.8751	40.1	1.1581	387206504	387207104	387207704
05	68.7	12.711	38.10	1.15001	57.15	12.2501	49.7	1.1961	387206505	387207105	387207705
06	78.2	13.081	47.63	1.18751	66.68	12.6251	59.2	1.2331	387206506	387207106	387207706
07	87.8	13.461	57.15	1.22501	76.20	13.0001	68.7	1.2711	387206507	387207107	387207707
08	97.3	13.831	66.68	1.26251	85.73	13.3751	78.2	1.3081	387206508	387207108	387207708
09	106.8	14.211	76.20	1.30001	95.25	13.7501	87.8	1.3461	387206509	387207109	387207709
10	116.3	14.581	85.73	1.33751	104.78	14.1251	97.3	1.3831	387206510	387207110	387207710
11	125.9	14.961	95.25	1.37501	114.30	14.5001	106.8	1.4211	387206511	387207111	387207711
12	135.4	15.331	104.78	1.41251	123.83	14.8751	116.3	1.4581	387206512	387207112	387207712
13	144.9	15.711	114.30	1.45001	133.35	15.2501	125.9	1.4961	387206513	387207113	387207713
14	154.4	16.081	123.83	1.48751	142.88	15.6251	135.4	1.5331	387206514	387207114	387207714
15	164.0	16.461	133.35	1.52501	152.40	16.0001	144.9	1.5711	387206515	387207115	387207715
16	173.5	16.831	142.88	1.56251	161.93	16.3751	154.4	1.6081	387206516	387207116	387207716
17	183.0	17.211	152.40	1.60001	171.45	16.7501	164.0	1.6461	387206517	387207117	387207717
18	192.5	17.581	161.93	1.63751	180.98	17.1251	173.5	1.6831	387206518	387207118	387207718
19	202.1	17.961	171.45	1.67501	190.50	17.5001	192.5	1.7211	387206519	387207119	387207719
20	211.6	18.331	180.98	1.71251	200.03	17.8751	202.1	1.7591	387206520	387207120	387207720
21	221.1	18.711	190.50	1.75001	209.55	18.2501	211.6	1.7961	387206521	387207121	387207721
22	230.6	19.081	200.03	1.78751	219.08	18.6251	221.1	1.8331	387206522	387207122	387207722
23	240.2	19.461	209.55	1.82501	228.60	19.0001	230.6	1.8701	387206523	387207123	387207723
24	249.7	19.831	219.08	1.86251	238.13	19.3751	230.6	1.9081	387206524	387207124	387207724
25	259.2	110.211	228.60	1.90001	247.65	19.7501	240.2	1.9461	387206525	387207125	387207725
26	268.7	110.581	238.13	1.93751	257.18	110.1251	249.7	1.9831	387206526	387207126	387207726



EC NO. : DRAWN: CH-K CHK: K APPR: : REV: -	DESCRIPTION MAJOR CRITICAL C SPC S	QUALITY SYMBOLS		GENERAL TOLERANCES: (UNLESS SPECIFIED)		SCALE: --	DESIGN UNITS: <input type="checkbox"/> mm <input checked="" type="checkbox"/> INCH	THIRD ANGLE PROJECTION	PROJECT NO. -	-	-
		4 PLACES	mm	INCH	±.0015	DRAWN BY & DATE: C. YORK 03-01-05	TITLE: 9.53 [1.375] SR BTS, PC ASSY, RAISED PADS	DIMENSIONS: <input checked="" type="checkbox"/> mm <input type="checkbox"/> INCH <input type="checkbox"/> mm ONLY	SHT	REV	REVISE ON CAD ONLY
		3 PLACES	±.038	±.005	CHECKED BY & DATE	APPROVED BY & DATE		MOLEX INCORPORATED			
		2 PLACES	±.13	±.01	CAD FILENAME: 725XX-P		MATERIAL NO. SEE CHART	DRAWING NO. SD-38720-006	SHEET NO. 2 OF 2		
		1 PLACE	±.3	ANGULAR: ±2°	DRAFT WHERE APPLICABLE MUST REMAIN WITHIN DIMENSIONS			THIS DRAWING CONTAINS INFORMATION THAT IS PROPRIETARY TO MOLEX INCORPORATED AND SHOULD NOT BE USED WITHOUT WRITTEN PERMISSION.			
								SIZE B			

NUMBER OF CIRCUITS "XX"	DIM. A		DIM. B		DIM. C		DIM. D	
	IN	MM	IN	MM	IN	MM	IN	MM
01	1.21	30.7	-	-	.75	19.1	.46	11.7
02	1.58	40.1	.375	9.53	1.13	28.7	.83	21.1
03	1.96	49.7	.750	19.05	1.50	38.1	1.21	30.7
04	2.33	59.2	1.125	28.58	1.88	47.7	1.58	40.1
05	2.71	68.8	1.500	38.10	2.25	57.2	1.96	49.8
06	3.08	78.2	1.875	47.63	2.63	66.8	2.33	59.2
07	3.46	87.9	2.250	57.15	3.00	76.2	2.71	68.8
08	3.83	97.3	2.625	66.68	3.38	85.9	3.08	78.2
09	4.21	106.9	3.000	76.20	3.75	95.3	3.46	87.8
10	4.58	116.3	3.375	85.73	4.13	104.9	3.83	97.3
11	4.96	126.0	3.750	95.25	4.50	114.3	4.21	106.9
12	5.33	135.4	4.125	104.78	4.88	123.9	4.58	116.3
13	5.71	145.0	4.500	114.30	5.25	133.4	4.96	126.0
14	6.08	154.4	4.875	123.83	5.63	143.0	5.33	135.4
15	6.46	164.0	5.250	133.35	6.00	152.4	5.71	145.0
16	6.83	173.5	5.625	142.88	6.38	162.0	6.08	154.4
17	7.21	183.1	6.000	152.40	6.75	171.5	6.46	164.0
18	7.58	192.5	6.375	161.93	7.13	181.1	6.84	173.7
19	7.96	202.2	6.750	171.45	7.50	190.5	7.21	183.1
20	8.33	211.6	7.125	180.98	7.88	200.2	7.58	192.5
21	8.71	221.2	7.500	190.50	8.25	209.6	7.96	202.2
22	9.08	230.6	7.875	200.03	8.63	219.2	8.33	211.6
23	9.46	240.3	8.250	209.55	9.00	228.6	8.71	221.2
24	9.83	249.7	8.625	219.08	9.38	238.2	9.08	230.6
25	10.21	259.3	9.000	228.60	9.75	247.7	9.46	240.3
26	10.58	268.7	9.375	238.13	10.13	257.3	9.83	250.0

P/N LEGEND



- NOTES:
- MATERIAL: SEE TABLE
 - FINISH: SEE TABLE
 - ELECTRICAL SPECS:
 MAX VOLTAGE: 300V (BINDING HD, 14 AWG)
 MAX CURRENT: 15A

 MAX VOLTAGE: 300V (-50 OPT, 12 AWG)
 MAX CURRENT: 25A
 - REFER TO SD-38120-001 FOR IMPRINT OPTION 10A & 11A
 - PRODUCT SPEC: PS-38710-001
 - SCREW TIGHTENING TORQUE: 12 IN LBS. (MAX)
 - WIRE STRIP LENGTH: .31 (7.8mm)
 - PART IS RoHS COMPLIANT

7	XX	SCREW, #6-32X.250, PHIL-SLOT, BHD -56 OPT	ST. STEEL	PASSIVATED
6	XX	SCREW, #6-32X.250, PHIL-SLOT, SQ. WASHER (-50 OPT)	STEEL	ZINC, CLEAR CHROMATE
5	XX	SCREW, #6-32X.250, PHIL-SLOT, BHD -49 OPT	BRASS	NICKEL PLATED
4	XX	SCREW, #6-32X.250, PHIL-SLOT, BHD	STEEL	ZINC, CLEAR CHROMATE
3	2	PLATE, MTG.	BRASS	NICKEL PLATED
2	XX	TERMINAL, PC	BRASS	TIN PLATED
1	1	INSULATOR, SR, RAISED PADS	PBT	BLACK
ITEM	QTY.	DESCRIPTION	MATERIAL	FINISH

RELEASED EC NO: IPGZ2015-2082 DRWR:RSTONE 2015/06/04 CHKD:RUPERT 2015/06/08 APPR:JFMURPHY 2015/06/08	QUALITY SYMBOLS $\nabla=0$ $\nabla=0$	GENERAL TOLERANCES (UNLESS SPECIFIED) <table border="1"> <tr><th colspan="2">mm</th><th colspan="2">INCH</th></tr> <tr><td>4 PLACES</td><td>± .005</td><td>± .005</td><td>± .005</td></tr> <tr><td>3 PLACES</td><td>± .005</td><td>± .005</td><td>± .005</td></tr> <tr><td>2 PLACES</td><td>± .005</td><td>± .01</td><td>± .01</td></tr> <tr><td>1 PLACE</td><td>± .03</td><td>± .005</td><td>± .005</td></tr> <tr><td>0 PLACE</td><td>± .005</td><td>± .005</td><td>± .005</td></tr> </table>	mm		INCH		4 PLACES	± .005	± .005	± .005	3 PLACES	± .005	± .005	± .005	2 PLACES	± .005	± .01	± .01	1 PLACE	± .03	± .005	± .005	0 PLACE	± .005	± .005	± .005	DIMENSION STYLE IN/MM	SCALE 2:1	DESIGN UNITS INCH	THIRD ANGLE PROJECTION
			mm		INCH																									
4 PLACES	± .005	± .005	± .005																											
3 PLACES	± .005	± .005	± .005																											
2 PLACES	± .005	± .01	± .01																											
1 PLACE	± .03	± .005	± .005																											
0 PLACE	± .005	± .005	± .005																											
DRAFT WHERE APPLICABLE MUST REMAIN WITHIN DIMENSIONS	MATERIAL NO. SEE CHART	DRAWN BY RSTONE 2015/06/04	DATE 2015/06/04	CHECKED BY B RUPERT 2015/06/08	DATE 2015/06/08	APPROVED BY JFMURPHY 2015/06/08	DATE 2015/06/08																							
		ANGULAR ± 1°		DOCUMENT NO. SD-38720-014		SHEET NO. 1 OF 1																								
THIS DRAWING CONTAINS INFORMATION THAT IS PROPRIETARY TO MOLEX INCORPORATED AND SHOULD NOT BE USED WITHOUT WRITTEN PERMISSION																														