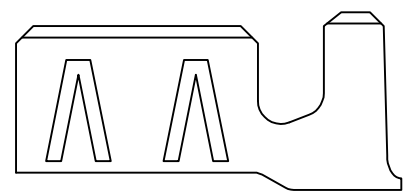
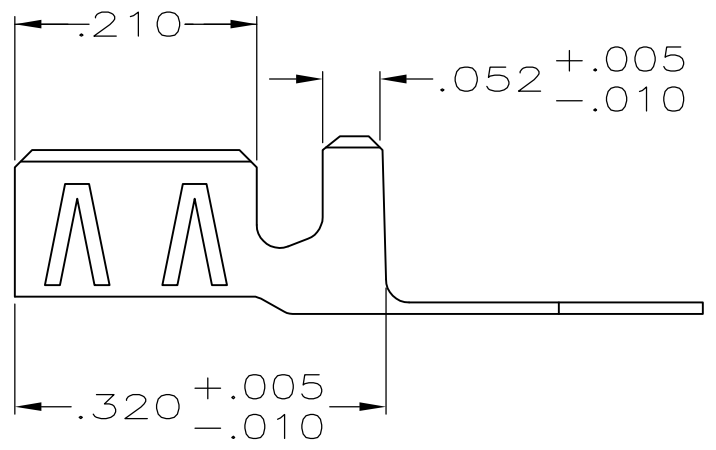
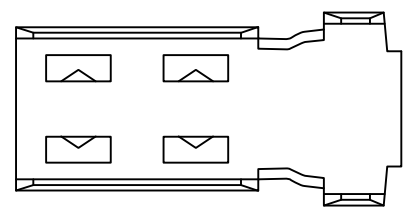
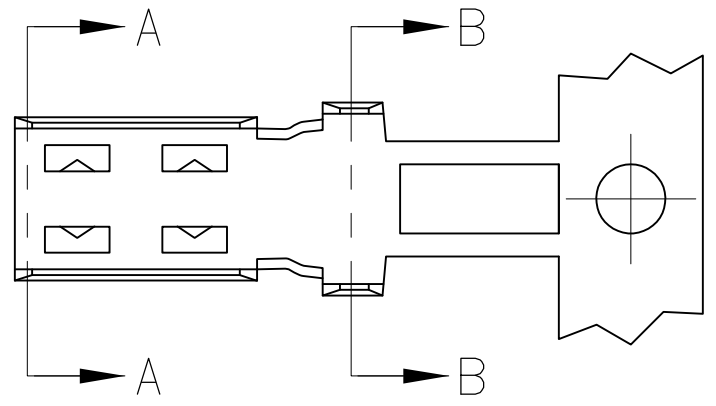


THIS DRAWING IS UNPUBLISHED. RELEASED FOR PUBLICATION
 © COPYRIGHT BY TYCO ELECTRONICS CORPORATION. ALL RIGHTS RESERVED.

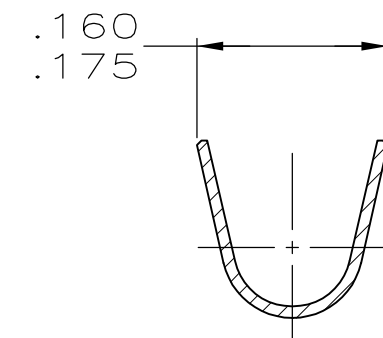
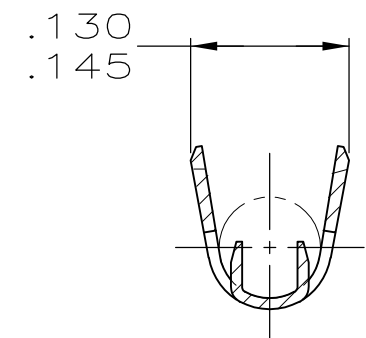
LOC	DIST	REVISIONS			
P	LTR	DESCRIPTION	DATE	DWN	APVD
AJ	16	N	REV PER EC 0S14-0028-05	18DEC05	BC KW
		N1	REVISED PER ECO-09-020689	01SEP09	KK AEG



VIEW C

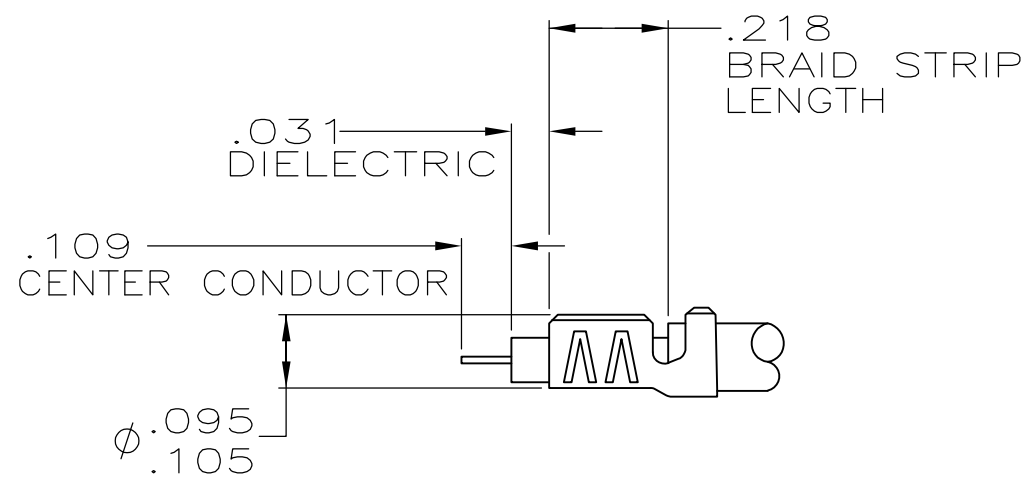
VIEW D
(SAME AS VIEW C EXCEPT AS SHOWN)

- ACCEPTS COAX CABLE WITH .095-.122 O.D. JACKETS AND .055-.077 DIELECTRIC O.D. AND A #25 SOLID CENTER CONDUCTOR
- BRASS PER MIL-C-50, (.010 THK).
- TIN-LEAD PLATE PER MIL-P-81728 OVER NICKEL PLATE PER QQ-N-290.
- TIN PLATE PER ASTM B-545
- INSTRUCTION SHEET NO.: 408-2472-1.
- OBSOLETE PARTS: OBSOLETE CIS STREAMLINING PER D.RENAUD/D.SINISI



SECTION A-A

SECTION B-B



ASSEMBLED VIEW

6	OBSOLETE	4	ON STRIP	C	9-226286-1	
	OBSOLETE	4	LOOSE PIECE	D	9-226286-0	
	OBSOLETE	3	LOOSE PIECE	D	226286-3	
		3	ON STRIP	C	226286-2	
			FINISH	TYPE	VIEW	PART NUMBER

THIS DRAWING IS A CONTROLLED DOCUMENT.		DWN M. O'BRINE 18FEB00	Tyco Electronics Corporation Harrisburg, PA 17105-3608		
DIMENSIONS: INCHES		CHK J. LIPPERT 18FEB00	NAME PICK TYPE-BRAID TERMINATION		
TOLERANCES UNLESS OTHERWISE SPECIFIED:		APVD J. LIPPERT 18FEB00	PRODUCT SPEC		
0 PLC ± -		APPLICATION SPEC			
1 PLC ± -		SIZE A3			
2 PLC ± -		CAGE CODE 00779			
3 PLC ± .008		DRAWING NO C-226286			
4 PLC ± -		RESTRICTED TO			
ANGLES ± -		SCALE 6:1			
MATERIAL -		SHEET 1 OF 1			
FINISH SEE TABLE		REV N1			
CUSTOMER DRAWING					