



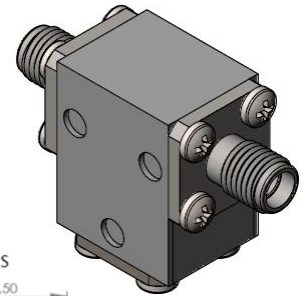
## Part Number: D3I5459

### Electrical Specifications

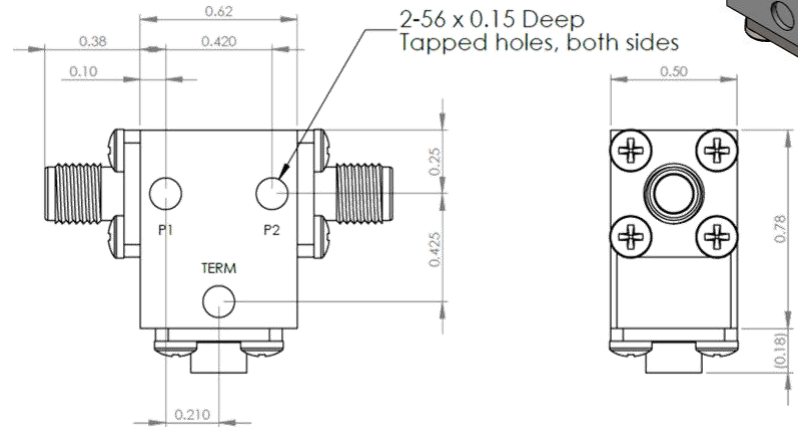
|                        |                 |
|------------------------|-----------------|
| Frequency Range (GHz): | 5.4 - 5.9       |
| Isolation (dB):        | 23 MIN          |
| Insertion Loss (dB):   | 0.3 MAX         |
| VSWR:                  | 1.15:1 MIN      |
| Forward Power (W):     | 20 AVG<br>45 PK |
| Reflective Power (W):  | 2 AVG           |

### Mechanical/Environmental Specifications

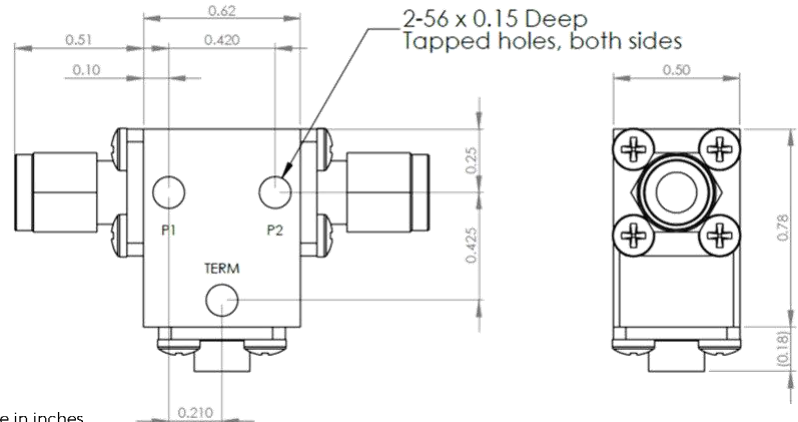
|                   |                            |
|-------------------|----------------------------|
| Connector Type:   | SMA                        |
| Connector Body:   | Passivated stainless steel |
| Connector Pin:    | Gold plated copper         |
| Load Body:        | Brass                      |
| Magnetic Shunt:   | Nickel plated CRS          |
| Operational Temp: | -30°C to +65°C             |
| Weight (oz)       | 1.0 MAX                    |



### D3I5459 Dimensions



### D3I5459-3 Dimensions



Dimensions are in inches  
Tolerance

|     |        |
|-----|--------|
| XX  | ±0.03  |
| XXX | ±0.010 |

| Type of Device  | PN Suffix | Connector Configuration<br>Input / Output | PN Example |
|---|-----------|---|------------|
| Single and Dual Junction<br>Isolator, 2-Port Device<br>Input / Output | N/A       | Female / Female                           | D3I5459    |
|   | -1        | Male / Female                             | D3I5459-1  |
|   | -2        | Female / Male                             | D3I5459-2  |
|   | -3        | Male / Male                               | D3I5459-3  |



# MEASURED DATA

Part Number: D3I5459, +25°C

