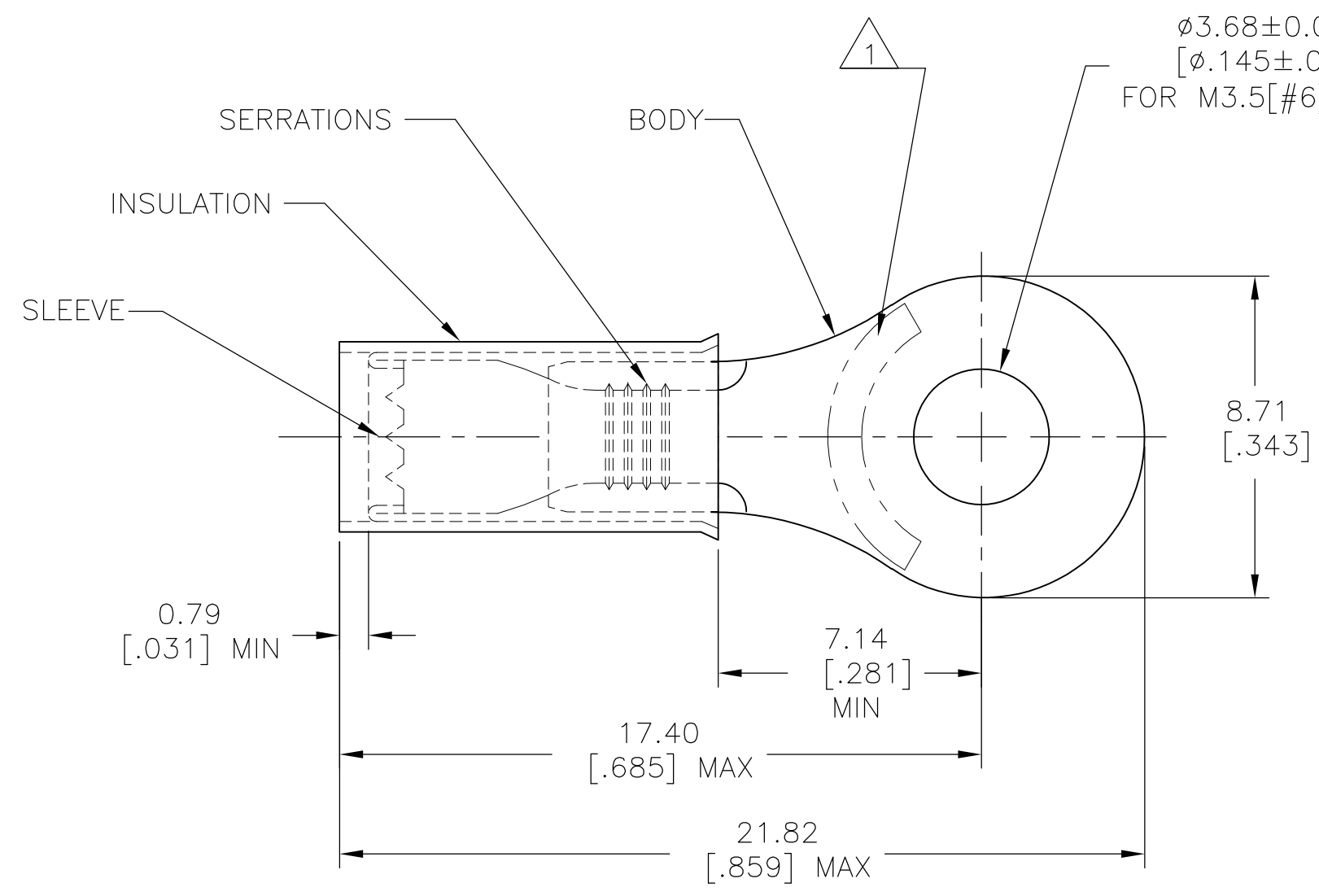


THIS DRAWING IS UNPUBLISHED. RELEASED FOR PUBLICATION
 © COPYRIGHT - By - ALL RIGHTS RESERVED.

| LOC | DIST | REVISIONS | | | |
|-----|------|-------------|---------------------------|---------|-------|
| P | LTR | DESCRIPTION | DATE | DWN | APVD |
| G | 14 | E3 | REVISED PER ECO-13-006583 | 18APR13 | KH DR |



- 1 STAMP AMP 16-14* MAY BE ON TOP OR BOTTOM APPROX AS SHOWN
- 2 FOR 2.92[.115] TO 4.32[.170] WIRE INSULATION DIA.
- 3 MATERIAL TONGUE THK IS 0.79±0.05[.031±.002]

| QTY | DESCRIPTION | MATERIAL | PART NO |
|------|------------------|---|-----------|
| 100 | LOOSE PIECE, BOX | INSULATION: NYLON, COLOR BLUE | 8-36158-1 |
| 5000 | 36158 ON TAPE | SLEEVE: COPPER PER ASTM B152 TIN PLATE PER ASTM B545 | 2-36158-1 |
| 1000 | WIRE TERMINAL | BODY: COPPER PER ASTM B152 TIN PLATE PER ASTM B545 | 36158 |

**AMP INCORPORATED
CUSTOMER SERVICE SYSTEMS**

FOR ADDITIONAL PRODUCT INFORMATION OR COPIES OF DRAWINGS AND TECHNICAL DOCUMENTS
 PRODUCT INFORMATION CENTER
 1-800-522-6752

FOR APPLICATION TOOLING INFORMATION
 TOOLING ASSISTANCE CENTER
 1-800-722-1111

FOR ORDER ENTRY
 1-800-526-5142

MAX RECOMMENDED OPERATING TEMPERATURE:
 105°C[221°F] MAX

VOLTAGE RATING:
 300 V MAX

WIRE CROSS SECTIONAL AREA RANGE:
 1.04-2.62mm² [2050-5180] CIR MILS
 SOLID OR STRANDED

THIS DRAWING IS A CONTROLLED DOCUMENT.

DIMENSIONS: mm [INCHES]

TOLERANCES UNLESS OTHERWISE SPECIFIED:

| | |
|--------------|--------------|
| 0 PLC | ± - |
| 1 PLC | ± - |
| 2 PLC | ± - |
| 3 PLC | ± 0.20[.008] |
| 4 PLC ANGLES | ± - ±5° |

MATERIAL: SEE TABLE
 FINISH: SEE TABLE

DWN jr_ruth 17MAR09
 CHK TOM MICHIELUTTI 17MAR09
 APVD TOM MICHIELUTTI 17MAR09

PRODUCT SPEC
 APPLICATION SPEC
 WEIGHT -

STE TE Connectivity

NAME: TERMINAL, PIDG RING TONGUE, WIRE SIZE 16-14 AWG

| | | | |
|------|-----------|------------|---------------|
| SIZE | CAGE CODE | DRAWING NO | RESTRICTED TO |
| A3 | 00779 | C-36158 | - |

CUSTOMER DRAWING SCALE 8:1 SHEET 1 OF 1 REV E3