

HiFlex™ Network Clock Generator

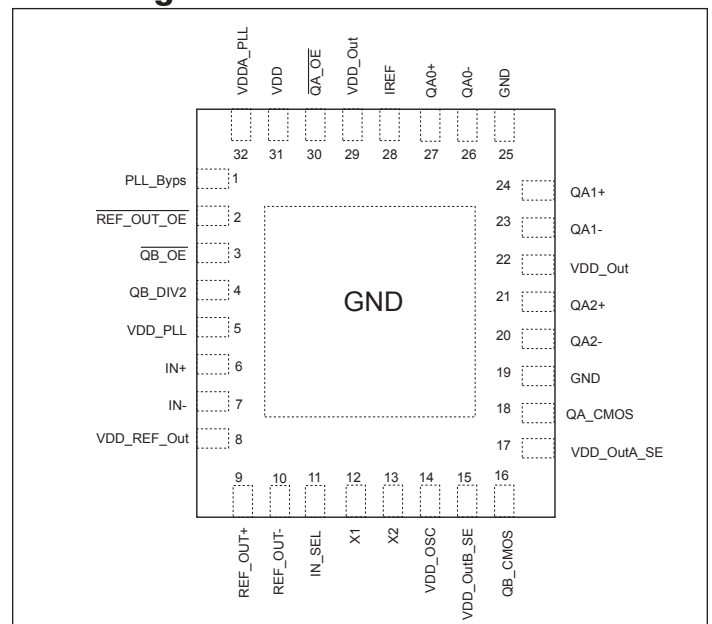
Features

- 3.3V supply voltage
- 3 HCSL and 1 LVCMOS 100MHz outputs with OE/ function
- 1 LVCMOS 100/50MHz selectable
- 25MHz crystal or differential input
- Low 1ps RMS max integrated phase noise design
- PLL Bypass mode for test
- 32 lead 5x5mm TQFN package

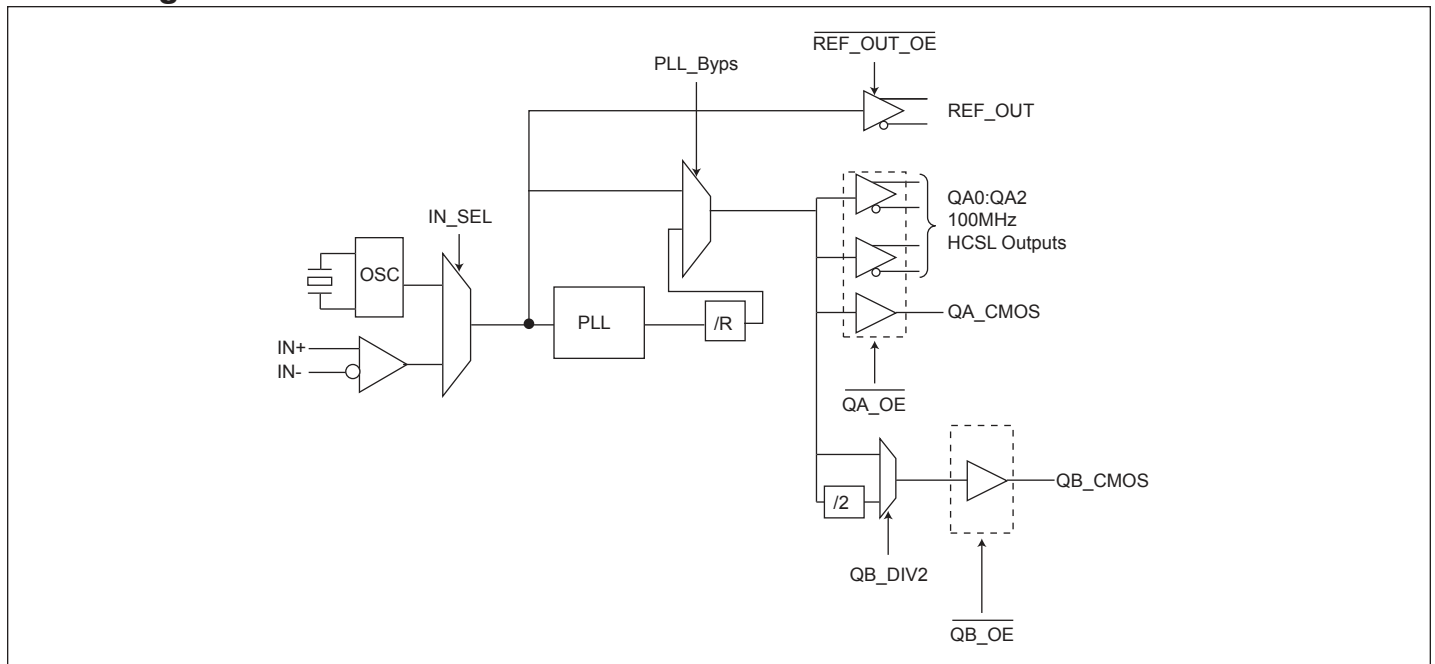
Description

The PI6LC4830 is an LC VCO based low phase noise design intended for the most demanding PCIe® 2.0 applications. Use of the ultra-low noise LC VCO allows for much greater noise margins than traditional solutions. This is ideal for noisy environments.

Pin Configuration



Block Diagram



Pin Description

Pin Number	Pin Name	Type	Description
20, 21, 23, 24, 26, 27	QA0+, QA0-, QA1+, QA1-, QA2+, QA2-	Output (HCSL)	100MHz HCSL Outputs
9, 10	REF_Out+, REF_Out-	Output (LVPECL)	25MHz LVPECL output from fundamental oscillator core
12	X1	Input	Crystal input pin
13	X2	Output	Oscillator output pin
6, 7	IN+, IN-	Input (Differential)	HCSL/LVPECL/LVDS inputs
11	IN_SEL	Input (LVCMOS)	Low selects X1 and X2, High selects In+, In-. Internal pull up is 100k Ohms
1	PLL_Byps	Input (LVCMOS)	If Low, output buffers are switched to the PLL. If High, output buffers are switched to the input mux. Internal 100K-Ohm pulldown.
30, 3	$\overline{\text{QA_OE}}, \overline{\text{QB_OE}}$	Input (LVCMOS)	Low enables outputs, High selects high impedance mode. Internal 100K-Ohm pulldown
14	V _{DD} _OSC	Power	Power for xtal Osc core
5	V _{DD} _PLL	Power	Power for digital portion of PLL circuitry
22, 29	V _{DD} _Out	Power	Power for output buffers
32	V _{DDA} _PLL	Power	Power for analog core of PLL
19, 25	GND	Power	Ground
18	QA_CMOS	Output (LVCMOS)	100MHz LVCMOS Output
16	QB_CMOS	Output (LVCMOS)	100/50MHz Selectable LVCMOS Output
17	V _{DD} _OutA_SE	Power	Bank A LVCMOS Power
15	V _{DD} _OutB_SE	Power	Bank B LVCMOS Power
4	QB_DIV2	Input (LVCMOS)	High selects 50MHz, Low selects 100MHz. Internal 100K-Ohm pull-up
28	I _{REF}	Output	External resistor connection for internal current reference
8	V _{DD} _REF_OUT	Power	Power for reference output
2	$\overline{\text{REF_OUT_OE}}$	Input (LVCMOS)	Low enables outputs, High selects high impedance mode. Internal 100K-Ohm pull-down.
31	V _{DD}	Power	Power for Core

Maximum Ratings (Above which the useful life may be impaired. For user guidelines, not tested)

Storage temperature.....	-65°C to +155°C
3.3V Analog Supply Voltage.....	-0.5 to +4.6V
ESD Protection (HBM)	2000V

Note:

Stresses greater than those listed under MAXIMUM RATINGS may cause permanent damage to the device. This is a stress rating only and functional operation of the device at these or any other conditions above those indicated in the operational sections of this specification is not implied. Exposure to absolute maximum rating conditions for extended periods may affect reliability.

Operating Conditions (Over Operating Conditions)

Symbol	Parameters	Conditions	Min.	Max.	Units
V _{DD_PLL}	PLL Power Supply Voltage		2.8	3.6	V
V _{DD_REF_Out}	Power Supply for Reference Out		2.9	3.6	
V _{DD_OSC}	Power Supply Voltage for oscillator core		2.8	3.6	
V _{DD_OutA, OutB}	Power Supply Voltage for Bank A and Bank B		2.9	3.6	
V _{DD_Out}	Power Supply Voltage for Output Buffer		2.9	3.6	
V _{DD}	3.3V General Power Supply Voltage		2.9	3.6	
V _{DDA_PLL}	Analog PLL Power Supply Voltage		2.8	3.6	
T _A	Ambient Temperature		-40	85	°C
I _{DD_PLL}	PLL Power Supply Current	At 3.6V, loaded		10	mA
I _{DD_REF_OUT}	Current for Reference Out	At 3.6V, loaded		36	
I _{DD_OSC}	Current for Oscillator	At 3.6V, loaded		12	
I _{DD_OUTA, OUTB}	Current for Bank A and Bank B	At 3.6V, loaded		11	
I _{DD_OUT}	Current for Output Buffer	At 3.6V, loaded		76	
I _{DDA_PLL}	Analog PLL Current, V _{DDA_PLL}	At 3.6V, loaded		35	
I _{DD}	Total Power Supply Current	No load (Analog PLL Current Included)		85	
		All outputs loaded (Analog PLL Current Included)		180	
P _{Diss}	Power Dissipation	All outputs loaded		0.65	W

LVCMOS DC Electrical Characteristics (Over Operating Conditions)

Symbol	Parameters	Conditions	Min.	Typ.	Max.	Units
V _{IH}	Input High Voltage		2		V _{DD} + 0.3	V
V _{IL}	Input Low Voltage		-0.3		0.8	
V _{OH}	Output High Voltage	I _{OH} = -8mA	V _{DD} - 0.4			
V _{OL}	Output Low Voltage	I _{OL} = 8mA			0.4	
I _{IH}	Input High Current for QA_OE, QB_OE, REF_OUT_OE, PLL_Byps	V _{IN} = V _{DD}			45	μA
	IN_SEL, QB_DIV2				5	
I _{IL}	Input Low Current for QA_OE, QB_OE, REF_OUT_OE, PLL_Byps	V _{IN} = 0V	-5			
	IN_SEL, QB_DIV2		-45			
R _{pu}	Internal pull up resistance			105		kOhm
R _{dn}	Internal pull down resistance			105		kOhm
Z _O	Output Impedance			30		Ohm
C _{IN}	Input Capacitance for X1, X2 inputs			4		pF

LVCMOS AC Characteristics (Over Operating Conditions)

Symbol	Parameter	Conditions	Min.	Typ.	Max.	Units
f _{error}	Frequency Synthesis Error				0	ppm
T _r /T _f	Output Rise/Fall time	20% to 80%, C _L = 10pF		1.2	2	ns
T _{DC}	Output Duty Cycle	t _{DC} = t _H /t _{CY} , t _H = High Pulse Width, t _{CY} = Output Cycle Time, @ V _{DD} /2	45	50	55	%
J _{CC}	Jitter, Cycle-to-Cycle				175	ps
J _{phase}	Rms Phase jitter from 12kHz - 20MHz			0.4	1	
T _{EN/DIS}	Output enable/disable time				80	ns
T _{LOCK}	PLL Lock Time				5	ms

Differential DC Input Characteristics (Over Operating Conditions)

Symbol	Parameters	Conditions	Min.	Typ.	Max.	Units
I _{IH}	Input High Current	IN-	V _{IN} = V _{DD} = 3.465V		5	uA
		IN+	V _{IN} = V _{DD} = 3.465V		45	
I _{IL}	Input Low Current	IN-	V _{IN} = 0V	-45		
		IN+	V _{IN} = 0V	-5		
V _{CMR}	Common Mode Voltage Range		0.5		V _{DD} -0.85V	V
V _{PP}	Peak-to-Peak Input Voltage Swing		0.15		1.3	

HCSL DC Electrical Characteristics (Over Operating Conditions)

Symbol	Parameters	Condition	Min.	Typ.	Max.	Units
V _{OH}	Output High Voltage	V _{DD_OUT} = V _{DD} - 0.15V ⁽¹⁾	660		900	mV
V _{OL}	Output Low Voltage				150	
V _{CROSS}	Absolute Crossing Point Voltages		250		550	
D V _{CROSS}	Total variation of V _{CROSS} overall edges				140	
I _{OH}	Output High Current w/ 475-Ohm resistor. Connected between IREF pin and GND			14		mA

Note:

1. This voltage drop is to account for the voltage across the series resistor in the layout guidelines.

HCSL AC Output Switching Characteristics(1,2,3) (Over Operating Conditions)

Symbol	Parameters	Min	Typ	Max.	Units	Notes
f _{error}	Frequency Synthesis Error			0	ppm	
T _{rise} / T _{fall}	Rise and Fall Time (measured between 0.175V to 0.525V)	175	250	700	ps	2
ΔT _{rise} / ΔT _{fall}	Rise and Fall Time Variation		7	125		2
T _{skew}	Output-to-Output Skew		20	100		3
T _{DC}	Duty Cycle (Measured at 100 MHz)	47	50	53	%	3
J _{phase}	RMS phase jitter from 12kHz - 20MHz		0.4	1	ps	2
T _{HF-RMS}	>1.5MHz - 50MHz RMS jitter applying PCIE G2 jitter mask		2.2	3.1		3
PSR	Power Supply Rejection with -30dBm input sine wave 100kHz to 600kHz		-46		dBc	2
T _{EN/DIS}	Output enable/disable time			80	ns	
T _{LOCK}	PLL Lock Time			5	ms	

Notes:

1. Test configuration is R_S = 33Ω, R_p = 49.9Ω with 2pF load.
2. Measurement taken from Single Ended waveform.
3. Measurement taken from Differential waveform.

LVPECL DC Electrical Characteristics (Over Operating Conditions)

Symbol	Parameters	Condition	Min.	Typ.	Max.	Units
V _{PP}	Output peak-peak Voltage	V _{DD_REF_Out} = 3.3± 5%	0.4	0.7	1	V
V _{OH}	Output High Voltage	V _{DD_REF_Out} = 3.3± 5%	V _{DD} -1.4		V _{DD} -0.9	
V _{OL}	Output Low Voltage	V _{DD_REF_Out} = 3.3± 5%	V _{DD} -2.0		V _{DD} -1.7	

AC LVPECL Switching Characteristics

Symbol	Parameters	Condition	Min.	Typ.	Max.	Units
T _{rise} / T _{fall}	Rise and Fall Time	20% to 80%, single-ended	200	320	450	ps
T _{DC}	Duty Cycle	Differential	47	50	53	%
T _{EN/DIS}	Output enable/disable time				100	ns

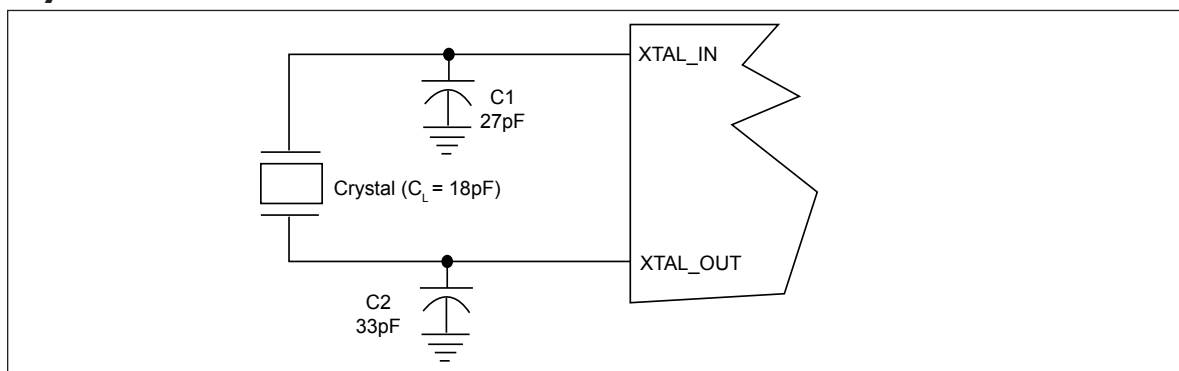
Crystal Characteristic (link to "<http://www.pericom.com/saronix>" for more detailed crystal specifications)

Parameters	Description	Min	Typ	Max.	Units
OSCmode	Mode of Oscillation	Fundamental			
FREQ	Frequency		25		MHz
ESR ⁽¹⁾	Equivalent Series Resistance			50	Ohm
Cload	Load Capacitance		18		pF
Cshunt	Shunt Capacitance			7	
DRIVE level				1	mW

Note: 1. ESR value is dependent upon frequency of oscillation

Application Notes
Crystal circuit connection

The following diagram shows PI6LC4830 crystal circuit connection with a parallel crystal. For the CL=18pF crystal, it is suggested to use C1= 27pF, C2= 33pF. C1 and C2 can be adjusted to fine tune to the target ppm of crystal oscillator according to different board layouts.

Crystal Oscillator Circuit


Recommended Crystal Specification

Pericom recommends:

- a) GC2500003 XTAL 49S/SMD(4.0 mm), 25M, CL=18pF, +/-30ppm, http://www.pericom.com/pdf/datasheets/se/GC_GF.pdf
- b) FY2500081, SMD 5x3.2(4P), 25M, CL=18pF, +/-30ppm, http://www.pericom.com/pdf/datasheets/se/FY_F9.pdf
- c) FL2500047, SMD 3.2x2.5(4P), 25M, CL=18pF, +/-20ppm, <http://www.pericom.com/pdf/datasheets/se/FL.pdf>

HCSL output buffer characteristics

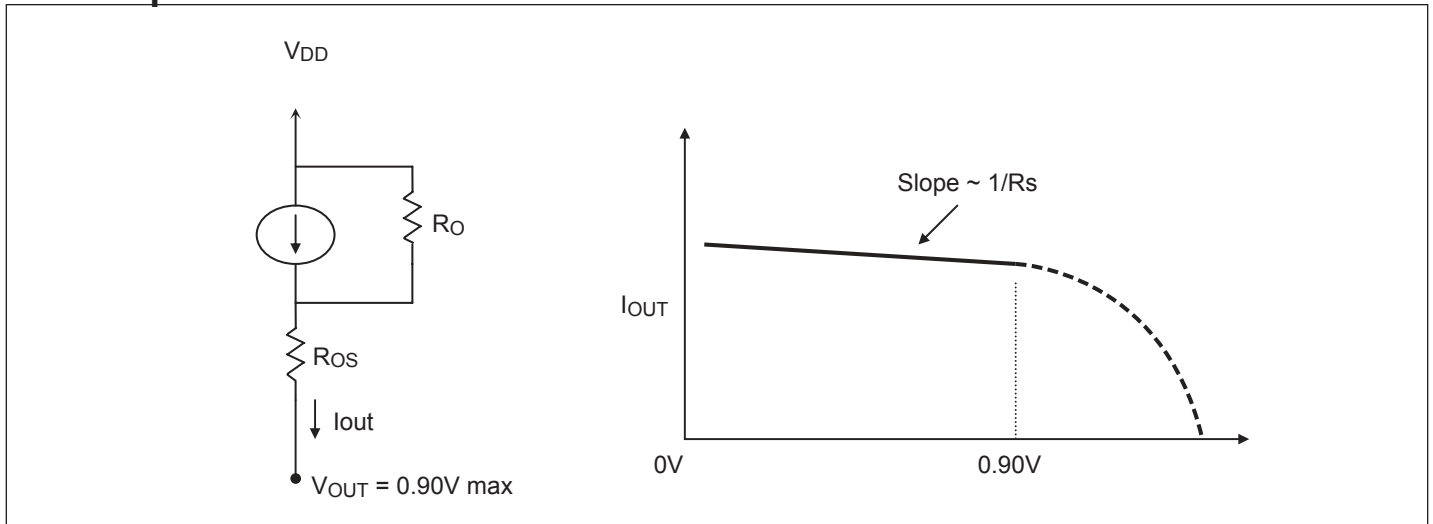


Figure 9. Simplified diagram of current-mode output buffer

HCSL Buffer characteristics

Symbol	Minimum	Maximum
R_O	3000 Ω	N/A
R_{OS}	unspecified	unspecified
V_{OUT}	N/A	900mV

Current Accuracy (IREF pin)

Symbol	Conditions	Configuration	Load	Min.	Max.
I_{OUT}	$V_{DD} = 3.30 \pm 5\%$	$R_{REF} = 475\Omega \text{ 1\%}$ $I_{REF} = 2.32\text{mA}$	Nominal test load for given configuration	-12% $I_{NOMINAL}$	+12% $I_{NOMINAL}$

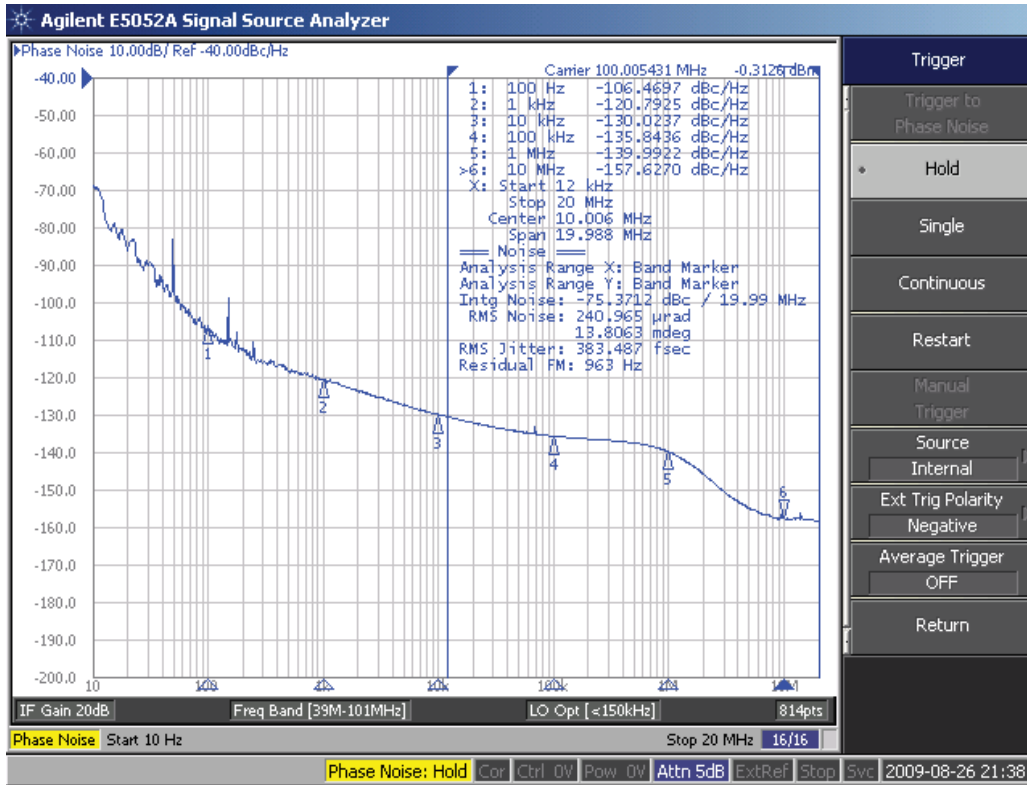
Note:

- $I_{NOMINAL}$ refers to the expected current based on the configuration of the device.

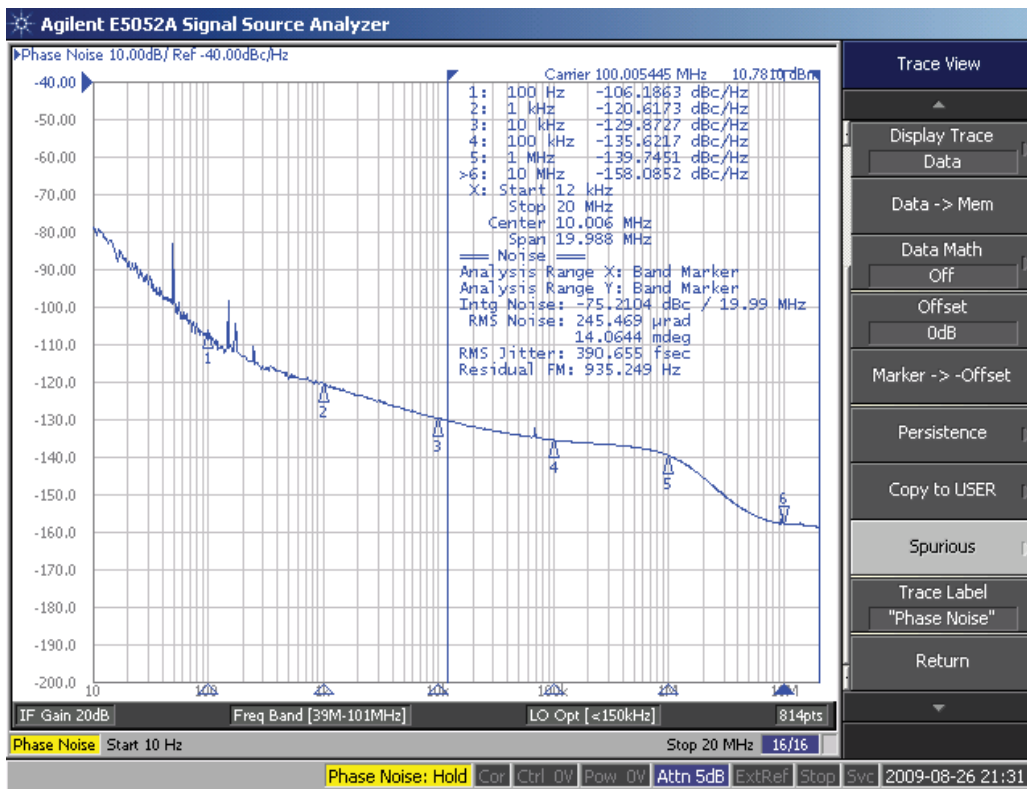
Differential Clock Output Current

Board Target Trace/Term Z	Reference R, $I_{ref} = V_{DD}/(3xRr)$	Output Current	$V_{OH} @ Z$
100 Ω (100 Ω differential \approx 15% coupling ratio)	$R_{REF} = 475\Omega \text{ 1\%}$, $I_{REF} = 2.32\text{mA}$	$I_{OH} = 6 \times I_{REF}$	0.7V @ 50

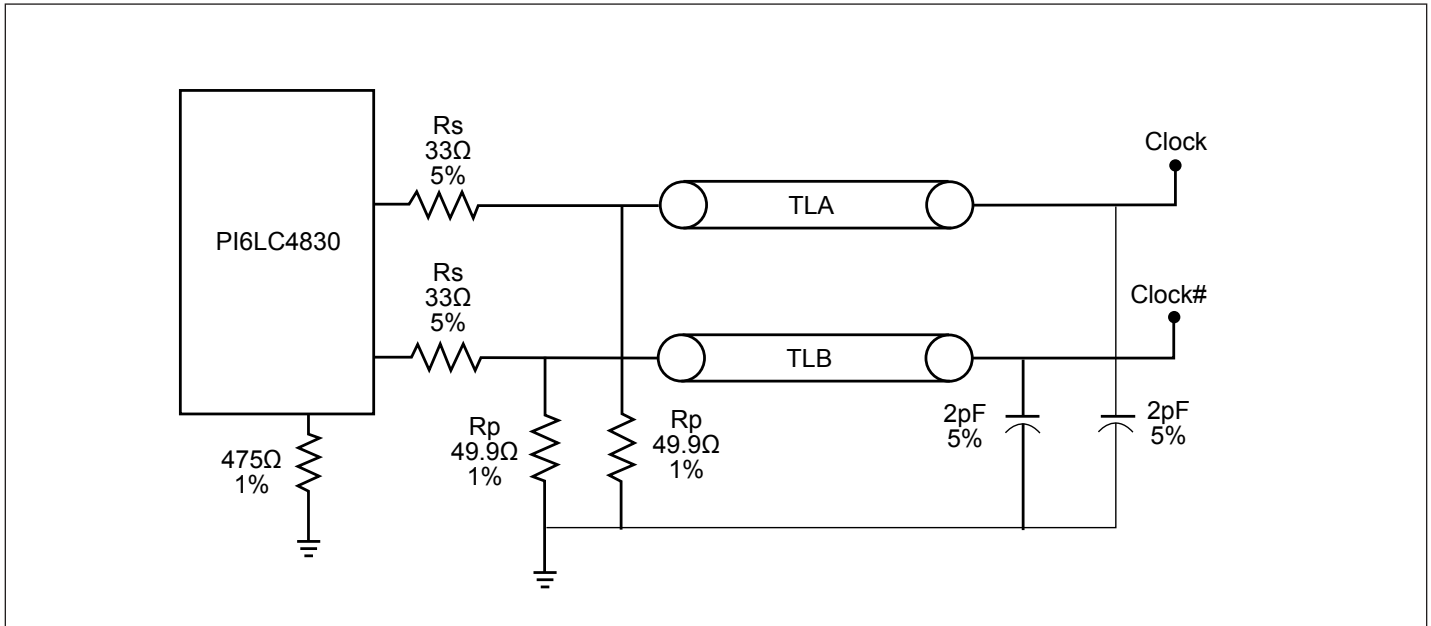
Typical HCSL Output Phase Noise (3.3V, 25°C)



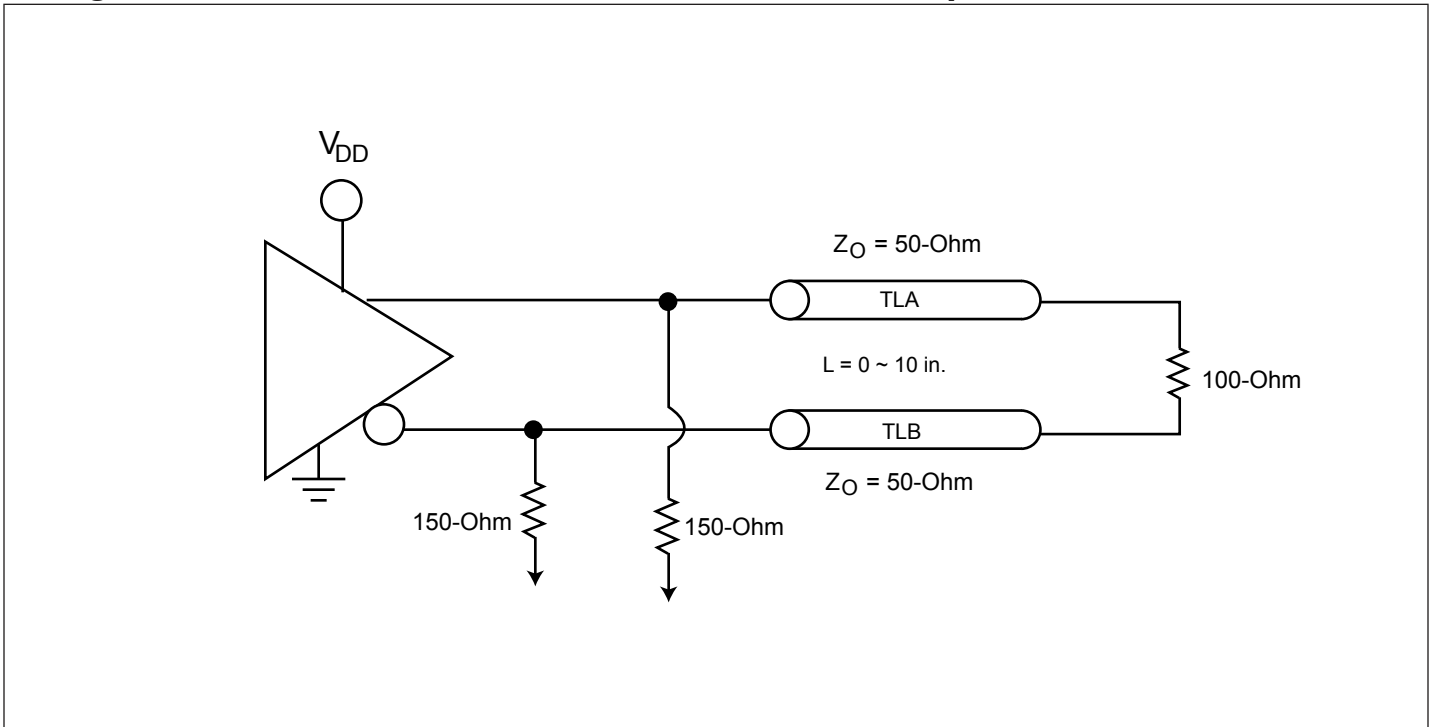
Typical LVCMOS Output Phase Noise (3.3V, 25°C)



Configuration Test Load Board Termination for HCSL outputs



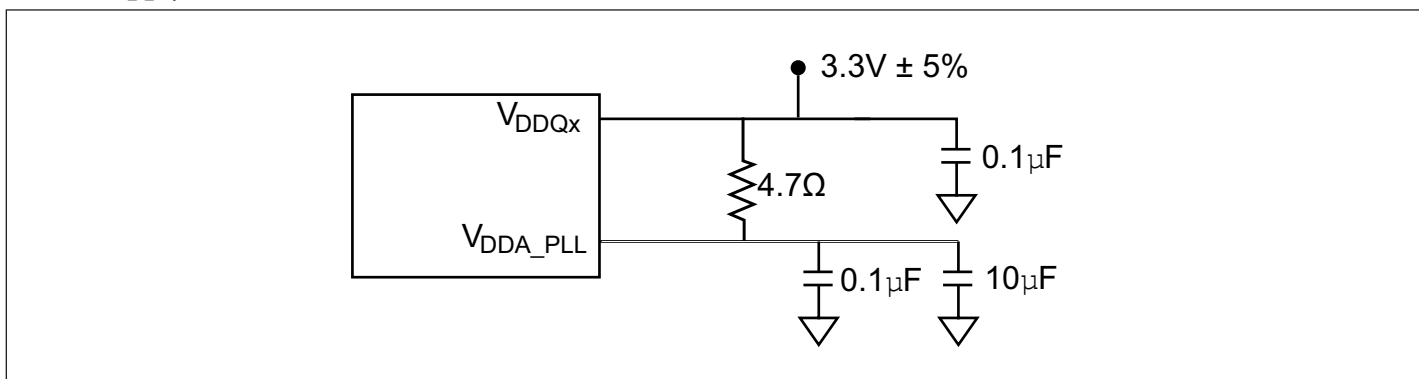
Configuration Test Load Board Termination for LVPECL outputs



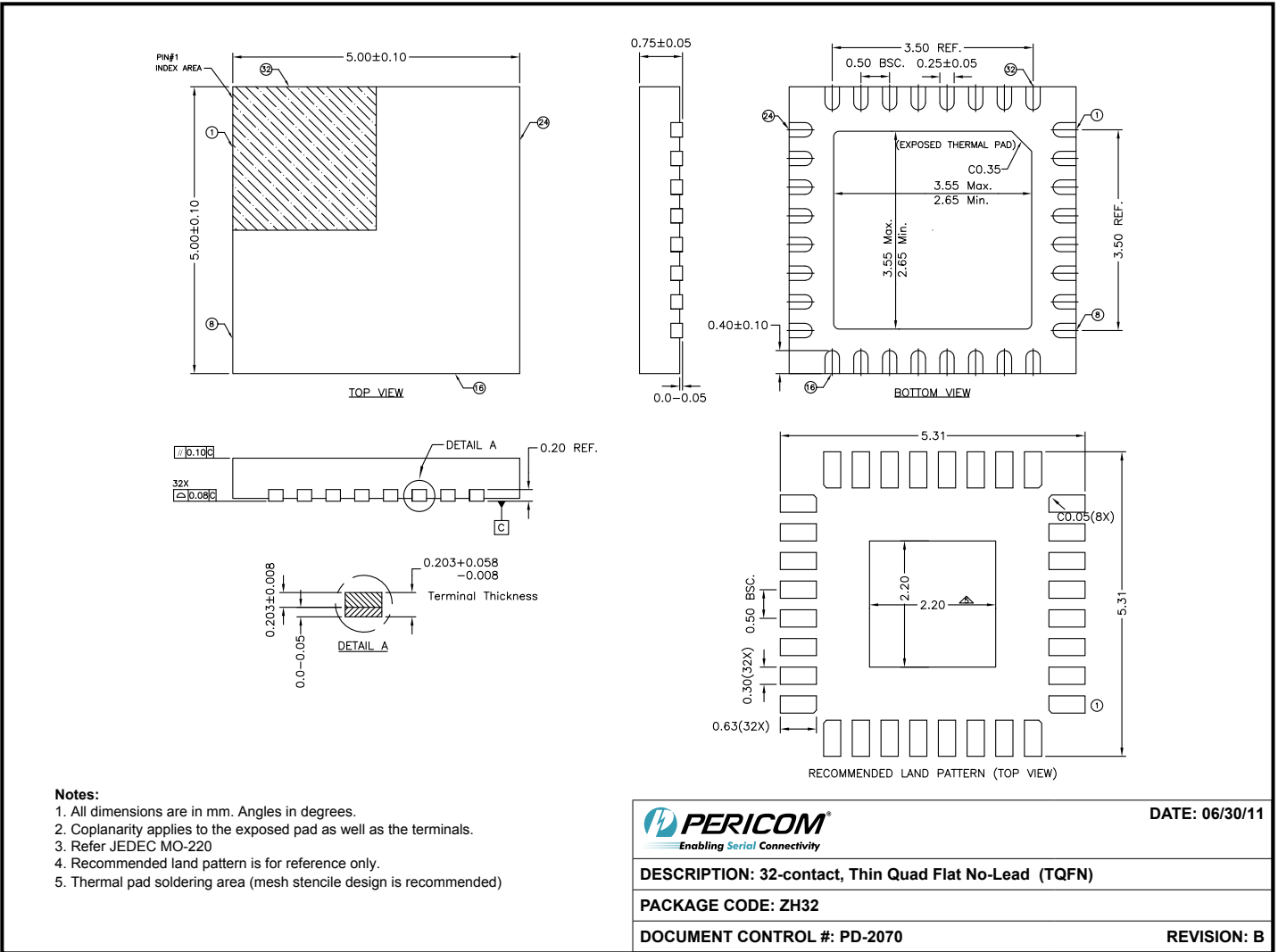
Configuration CMOS Output



Power Supply Filter



Packaging Mechanical: 32-Pin TQFN (ZH)



11-0147

Note:

- For latest package info, please check: <http://www.pericom.com/products/packaging/mechanicals.php>

Ordering Information⁽¹⁻³⁾

Ordering Code	Package Code	Package Description
PI6LC4830ZHE	ZH	32-Pin, Pb-free & Green (TQFN)

Notes:

1. Thermal characteristics can be found on the company web site at www.pericom.com/packaging/
2. E = Pb-free and Green
3. Adding an X suffix = Tape/Reel