

- 1
- 2
- 3
- 4
- 5
- 6
- 7
- 8
- 9
- 10
- 11
- 12
- 13
- 14
- 15
- 16
- 17
- 18

**MATERIAL**

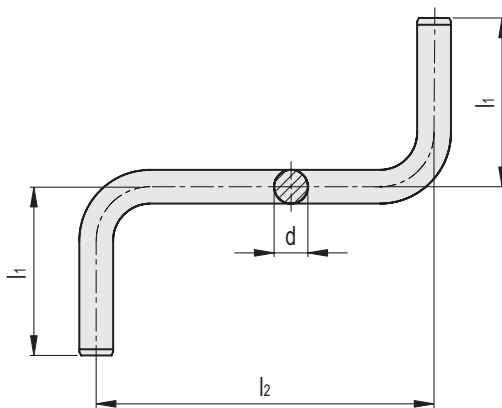
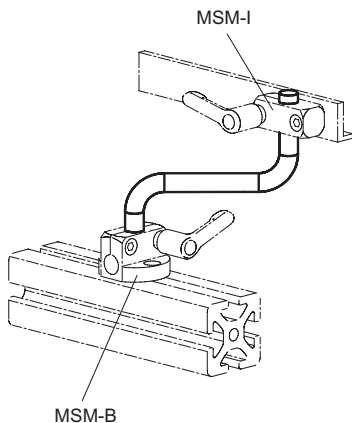
AISI 304 stainless steel.

**FEATURES AND APPLICATIONS**

MSM-TS connectors are suitable for use with the various types of MSM connecting clamps. They allow to create compact and space-saving assembly structures in an efficient and economic way with just a few components.

**SPECIAL EXECUTIONS ON REQUEST**

Other executions with l1 and l2 different dimensions.



Conversion Table	
1 mm = 0.039 inch	
d	
mm	inch
8	0.31
10	0.39

Code	Description	d	l1	l2	⚖
500793	MSM-TS-D8-30-60-NI	8	30	60	42
500794	MSM-TS-D8-50-100-NI	8	50	100	74
500795	MSM-TS-D8-80-160-NI	8	80	160	125
500796	MSM-TS-D10-50-100-NI	10	50	100	113
500797	MSM-TS-D10-70-140-NI	10	70	140	163
500798	MSM-TS-D10-100-200-NI	10	100	200	237

Levelling feet and supports